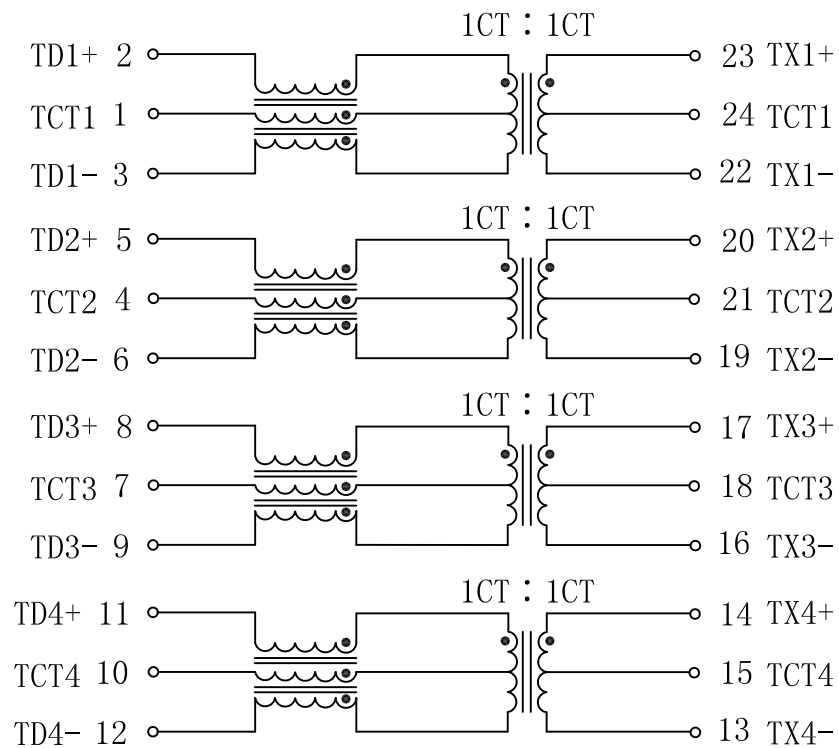


Schematic:

REV.	ECN NO.	DESCRIPTION	DATE	APPD
B	REL		2011-11-04	



ELECTRICAL SPECIFICATIONS @25°C

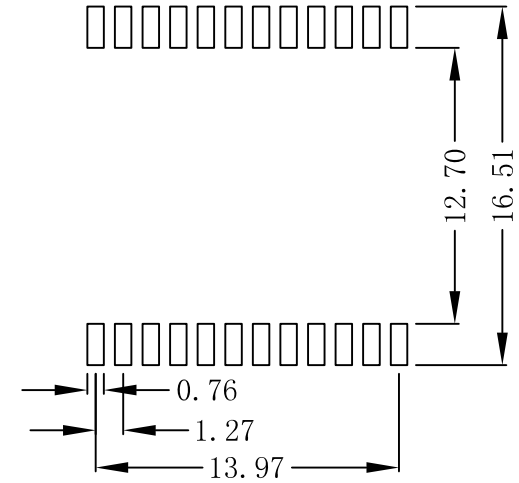
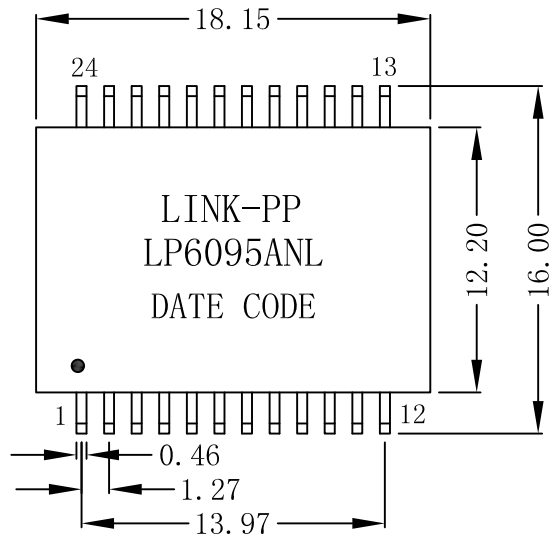
- Turn Ratio($\pm 2\%$):
Pri:Sec = 1CT:1CT
- Inductance OCL:
350uH Min @100KHz 0.1V 11mA DC Bias
- Insertion Loss(dB Max):
1-100MHz:-1.0
- Return Loss(dB Min):
1-40MHz:-18
40-100MHz:-10
- Cross talk:
0.3-100MHz:-30dB Min
- CM to CM Rej:
0.3-100MHz:-30dB Min
- CM to DM Rej:
0.3-100MHz:-35dB Min
- Balanced DC Line current:
800mA MAX @57VDS Continuous.
- Hipot Test: 1500Vrms
- Operating Temperature Range: -40°C to +85°C.



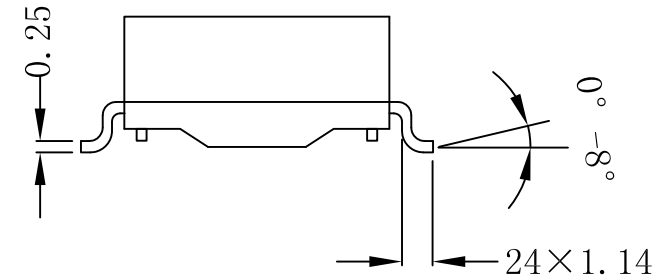
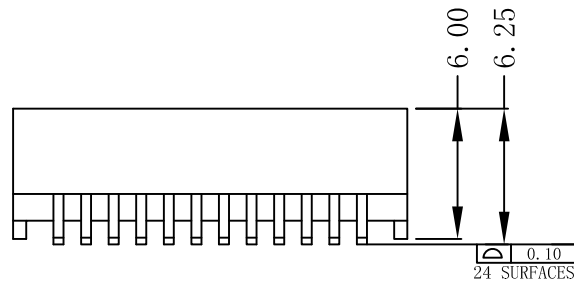
X:X	APPD:	LINK-PP INT'L TECHNOLOGY CO., LIMITED		
X:XX ±0.25	CHKD:	TITLE: 10/100/1000Base-T Magnetic Modules For PoE+ Application		
X:XXX	DR: TOM	PART NO.: LP6095ANL		
ANGLES ±1°	UNIT: mm			
	SCALE: 2/1	SHEET: 1/2	REV: A	DWG NO.: LP21110406

Mechanical:

REV.	ECN NO.	DESCRIPTION	DATE	APPD
B	REL		2011-11-04	



SUGGESTED PAD LAYOUT



NOTES:

1. Designed to support application, such as SOHO (ADSL modems), LAN-on-Motherboard (LOM), hub and Switches.
2. Meets IEEE 802.3at specification.
3. Maximum reflow temperature is 250°C, 5 Sec.
4. UL Certification: File Number E484635.



X:X	APPD:	LINK-PP INT'L TECHNOLOGY CO., LIMITED		
X:XX ±0.25	CHKD:	TITLE: 10/100/1000Base-T Magnetic Modules For PoE+ Application		
X:XXX	DR: TOM	PART NO.: LP6095ANL		
ANGLES ±1°	UNIT: mm	SCALE: 2/1	SHEET: 2/2	REV: A
		DWG NO.: LP21110406		