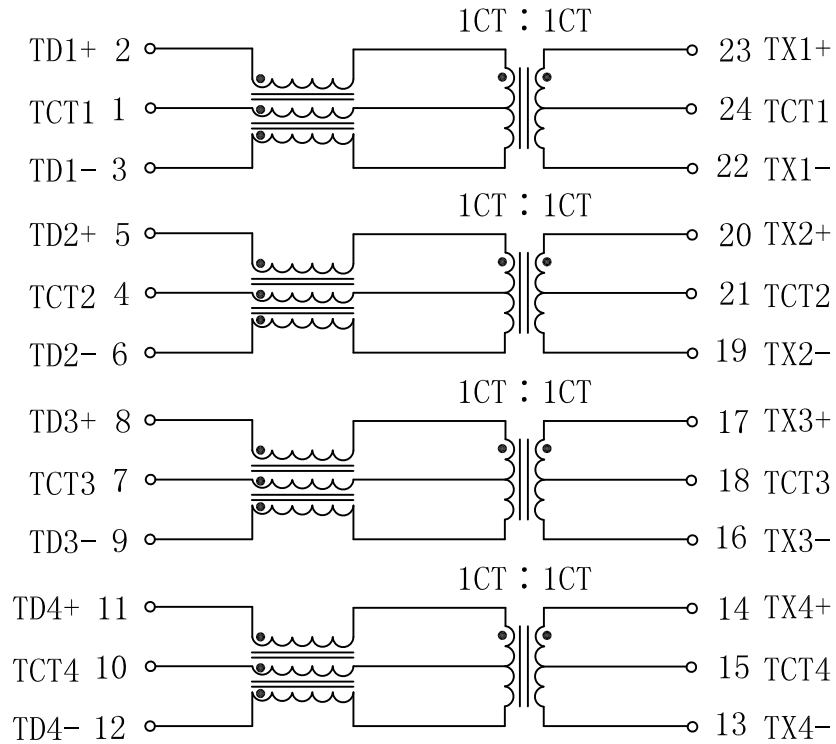


# Schematic:

REV.	ECN NO.	DESCRIPTION	DATE	APPD
A	REL		2020-05-23	

Chip/Phy Side

Cable/Line Side



## ELECTRICAL SPECIFICATIONS @25°C

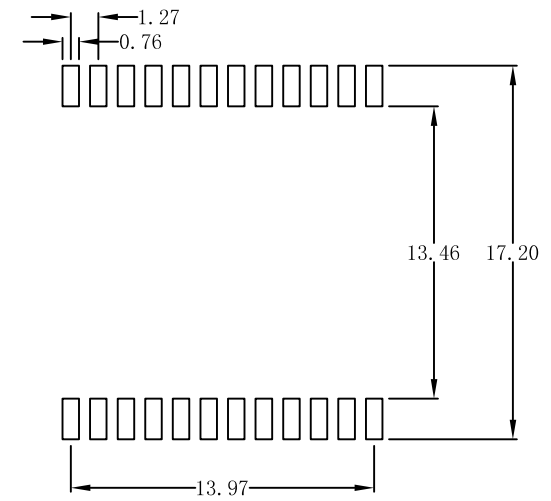
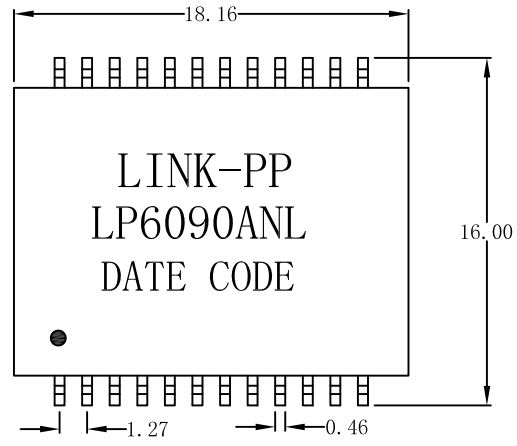
- Turn Ratio( $\pm 3\%$ ):  
Pri : Sec = 1CT : 1CT
- Inductance OCL:  
120uH Min @100KHz 0.1V 28mA DC Bias
- DC Resistance: 0.30  $\Omega$  Typ.
- Insertion Loss:  
-1.2dB Max @100MHz  
-0.2-0.002\*f<sup>1.4</sup> dB Max @1~125 MHz
- Return Loss:  
-16dB Min @1~40MHz  
-10+20\*LOG 10(f/80 MHz)dB Min @40~100 MHz
- Cross talk:  
-50dB Min @ 1MHz  
-55+22\*LOG 10(f/10)dB Min @10~100 MHz
- Common Mode Rejection:  
-50dB Min @ 2MHz  
-15+20\*LOG 10(f/200)dB Min @30~200 MHz
- DC Current/Voltage Rating:  
1200mA @57V (Continuous)
- Hipot Test: 1500Vrms
- Operating Temperature Range: -40°C ~+85°C.



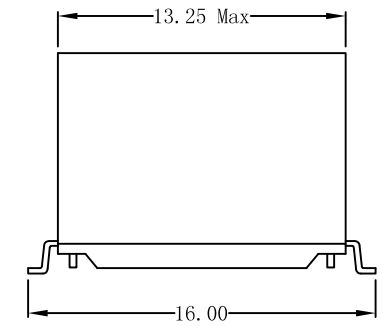
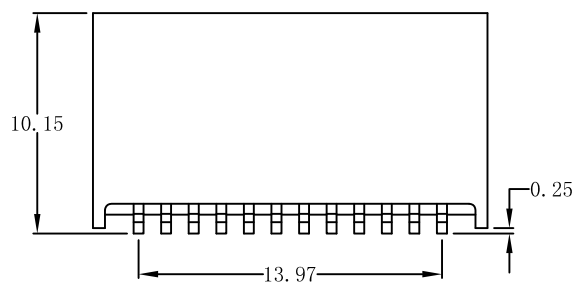
X:X	APPD:	LINK-PP INT'L TECHNOLOGY CO., LIMITED		
X:XX $\pm 0.25$	CHKD:	TITLE: 1000Base-T Single Port Transformer Modules For PoE++ Application		
X:XXX	DR: TOM	PART NO. : LP6090ANL		
ANGLES $\pm 1^\circ$	UNIT: mm	REV: A    DWG NO. : LP20052301		
	SCALE: 2/1	SHEET: 1/2		

# Mechanical :

REV.	ECN NO.	DESCRIPTION	DATE	APPD
A	REL		2020-05-23	



SUGGESTED PAD LAYOUT



- NOTES:
1. Designed to support application, such as SOHO (ADSL modems), LAN-on-Motherboard (LOM), hub and Switches.
  2. Meets IEEE 802.3bt specification.
  3. Maximum reflow temperature is 250°C, 5 Sec.
  4. UL certification: file number E484635.

X:X	APPD:	LINK-PP INT'L TECHNOLOGY CO., LIMITED		
X:XX ±0.25	CHKD:	TITLE: 1000Base-T Single Port Transformer Modules For PoE++ Application		
X:XXX	DR: TOM	PART NO. : LP6090ANL		
ANGLES ±1°	UNIT: mm	DWG NO. : LP20052301		
	SCALE: 2/1	SHEET: 2/2	REV: A	