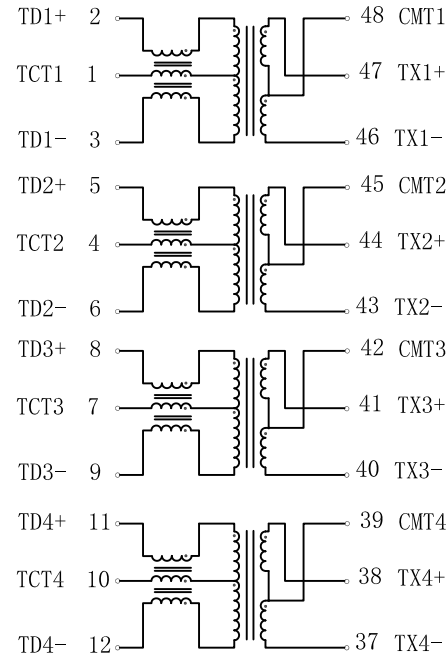


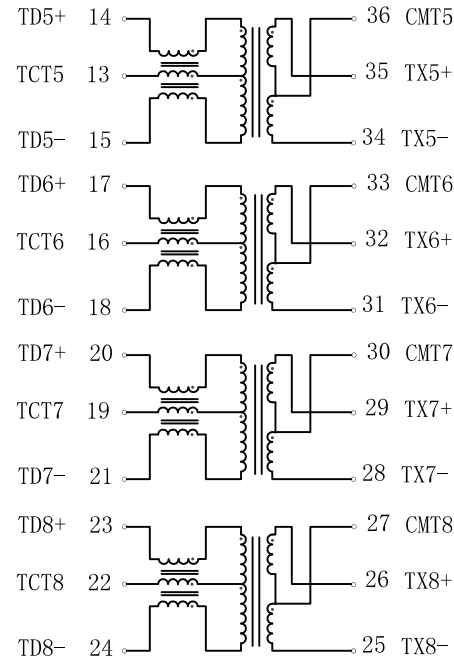
Schematic:

REV.	ECN NO.	DESCRIPTION	DATE	APPD
A	REL		31/10/2007	

Port 1



Port 2



Electrical Specifications @25°C

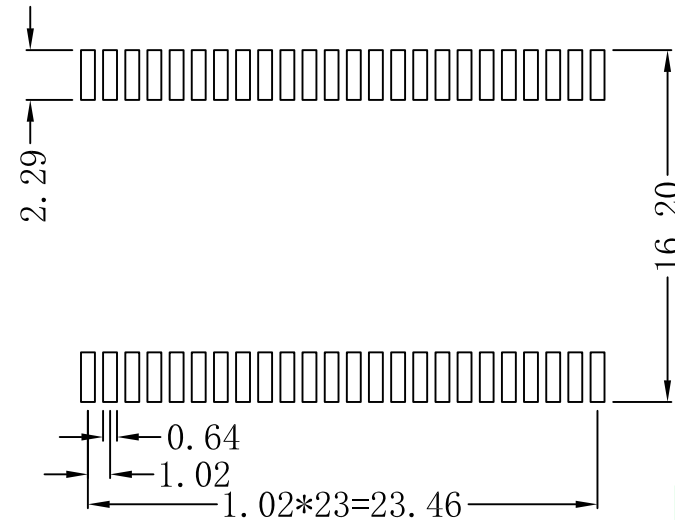
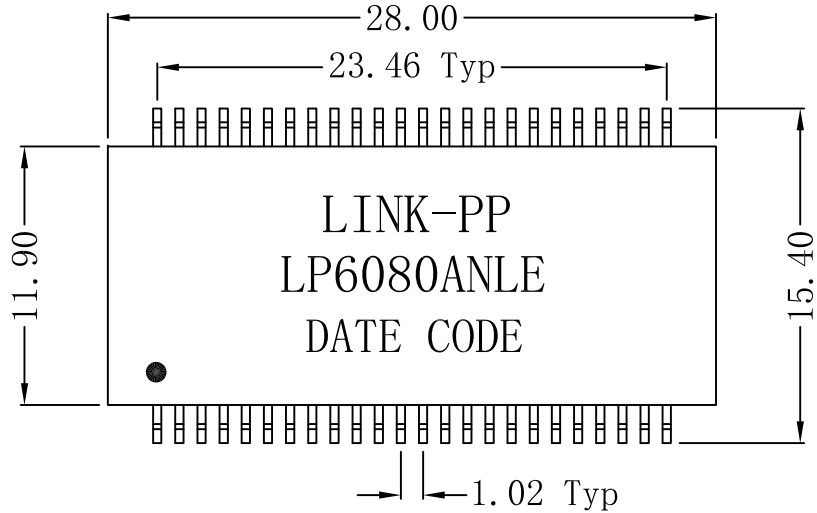
- Turns Ratio:
Pri:Sec = 1CT:1CT
- OCL: 350uH Min
@100KHz, 100mV, 8mADC Bias
- Insertion Loss (dB MAX):
0.1MHz:-1.1 100MHz:-1.0
125MHz:-2.0
- Return Loss (dB MIN):
30MHz:-18 60MHz:-12
80MHz:-12 100MHz:-10
- Crosstalk (dB MIN):
30MHz:-43 60MHz:-37
100MHz:-33
- Hipot (Vrms MIN): 1500
- Operating Temperature: -40°C ~ +85°C.



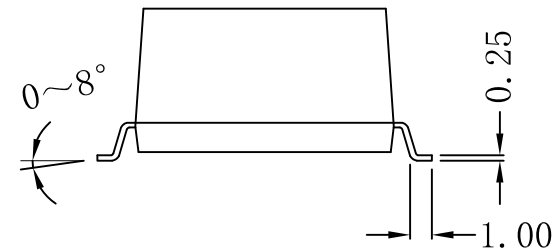
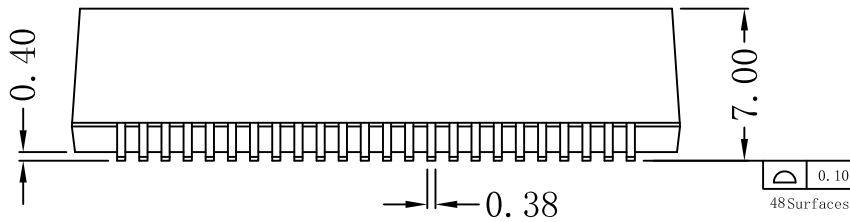
X:X	APPD:	LINK-PP INT'L TECHNOLOGY CO., LIMITED		
X:XX ±0.25	CHKD:	TITLE: 1000 Base-T Magnetic Modules For PoE+ Application		
X:XXX	DR: TOM	PART NO.: LP6080ANLE		
ANGLES ±1°	UNIT: mm			
	SCALE: 2/1	SHEET: 1/2	REV: A	DWG NO.:

Mechanical:

REV.	ECN NO.	DESCRIPTION	DATE	APPD
A	REL		31/10/2007	



SUGGESTED PAD LAYOUT



NOTES:

1. Gigabit Transformer Modules With PoE+ compliance
2. PoE+ applications with 720mA current requirements
3. Meets IEEE 802.3at specification
4. For RoHS part add suffix NL.
5. Maximum reflow temperature is 245°C, 5 Sec.
6. UL Certification: File Number E484635.

Dimensions: mm

Unless otherwise specified, all tolerances are ± 0.25

X:X	APPD:	LINK-PP INT'L TECHNOLOGY CO., LIMITED		
X:XX	± 0.25	CHKD:	TITLE: 1000 Base-T Magnetic Modules For PoE+ Application	
X:XXX		DR: TOM	PART NO.: LP6080ANLE	
ANGLES	$\pm 1^\circ$	UNIT: mm		
	SCALE: 2/1	SHEET: 2/2	REV: A	DWG NO.: