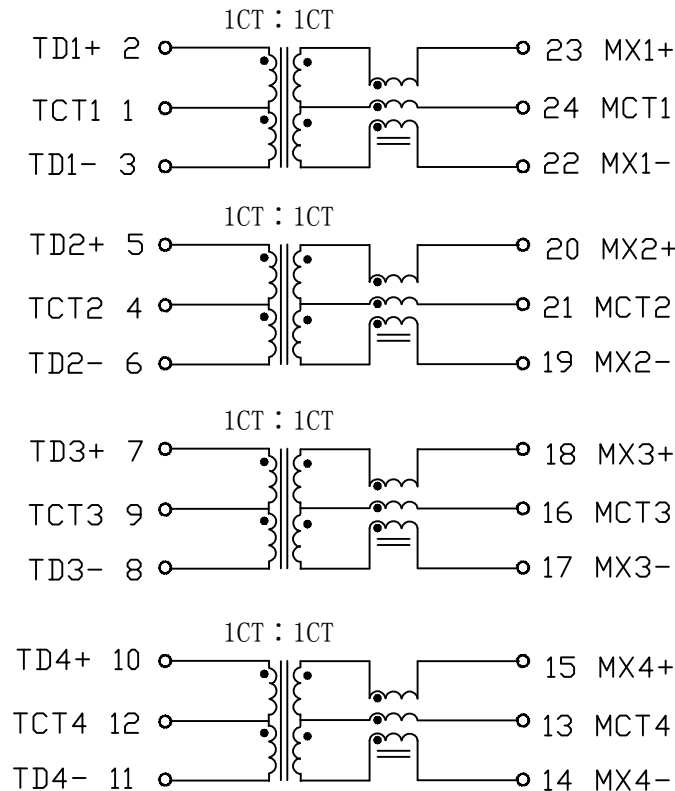


Schematic:

REV.	ECN NO.	DESCRIPTION	DATE	APPD
A	REL		2017/07/17	



Electrical Specifications @25°C

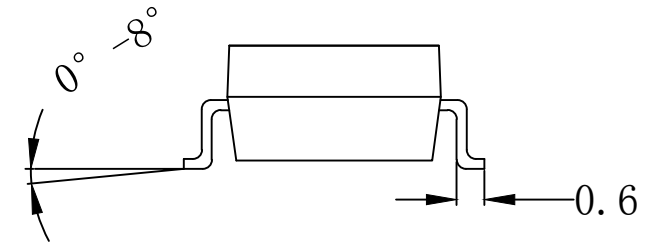
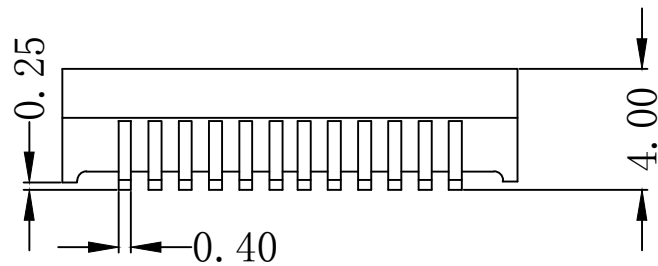
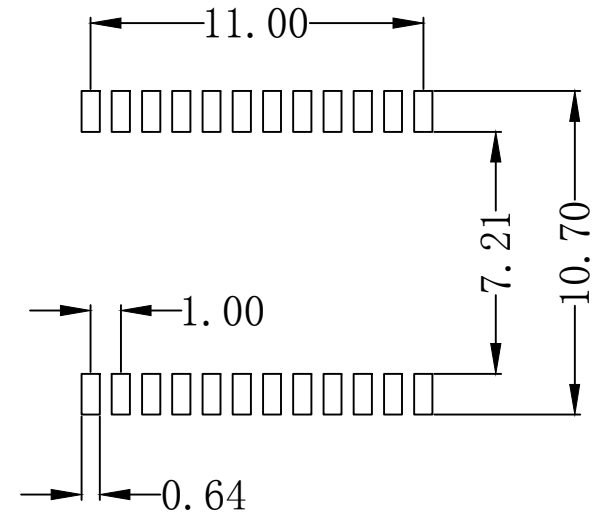
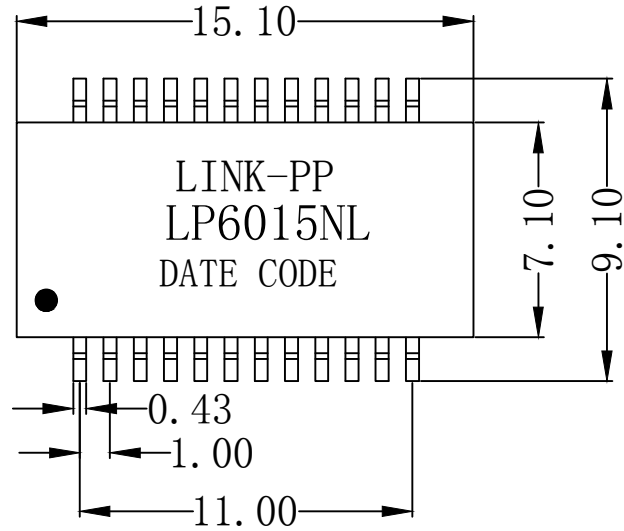
- Turns Ratio:
1CT : 1CT $\pm 5\%$
- Insertion Loss (dB MAX):
1-100MHz: -1.0 100-250MHz: -1.2
- Return Loss (dB MIN):
1-40MHz: -20
40-250MHz: -20-10*LOG(f/40)
- Crosstalk (dB MIN):
1-250MHz: -30
- DCMR (dB MIN):
1-100MHz: -35 100-250MHz: -25
- Hipot: 1500Vrms MIN
- Operating Temperature: 0°C ~ 70°C.



X:X	± 0.30	APPD:	LINK-PP INT'L TECHNOLOGY CO., LIMITED
X:XX	± 0.25	CHKD:	
X:XXX	± 0.05	DR: James	TITLE: 5G Base-T Magnetics Modules
ANGLES	$\pm 1^\circ$	UNIT: mm	PART NO.: LP6015NL
	SCALE: 2/1	SHEET: 1/2	REV: A DWG NO.: LP17071722

Mechanical:

REV.	ECN NO.	DESCRIPTION	DATE	APPD
A	REL		2017/07/17	



NOTES:

1. Designed to support application, such as SOHO (ADSL modems), LAN-on-Motherboard (LOM), hub and Switches.
2. Meets IEEE 802.3 specification.
3. Maximum reflow temperature is 250°C, 5 Sec.
4. UL certification: file number E484635.

X:X	±0.30	APPD:	LINK-PP INT'L TECHNOLOGY CO., LIMITED
X:XX	±0.25	CHKD:	
X:XXX	±0.05	DR: James	TITLE: 5G Base-T Magnetics Modules
ANGLES	±1°	UNIT: mm	PART NO.: LP6015NL
	SCALE: 2/1	SHEET: 2/2	REV: A
			DWG NO.: LP17071722