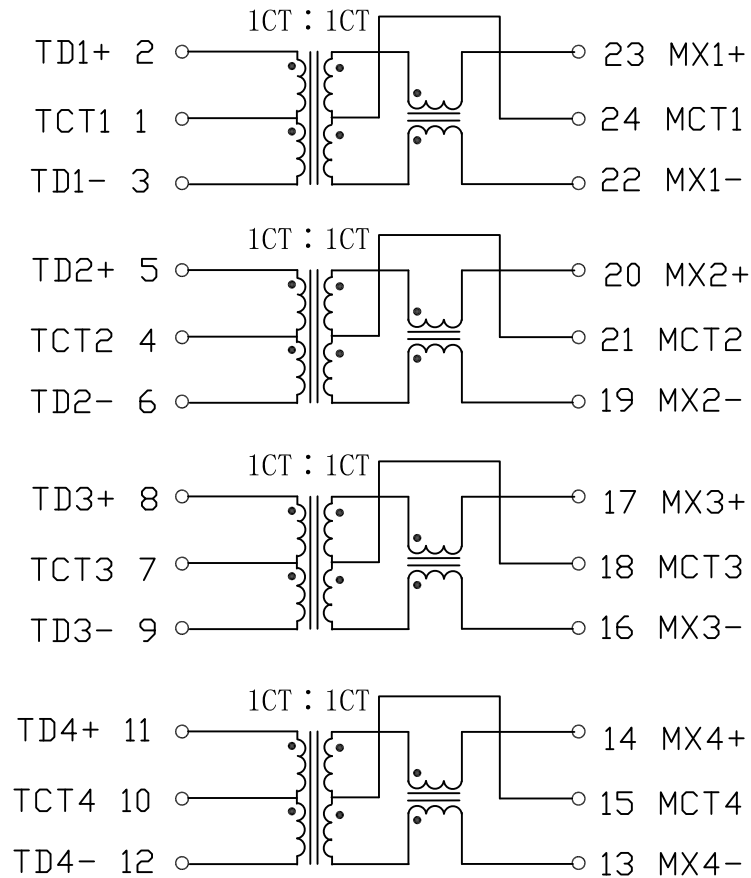


# Schematic:

REV.	ECN NO.	DESCRIPTION	DATE	APPD
A	REL		2016-05-31	



## Electrical Specifications @25°C

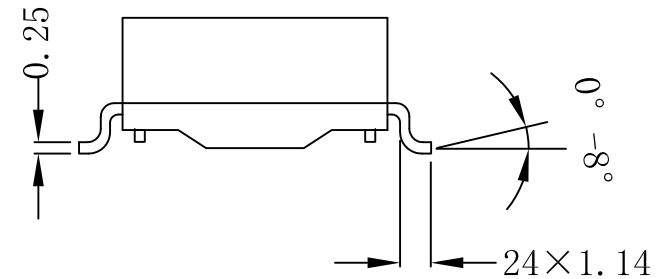
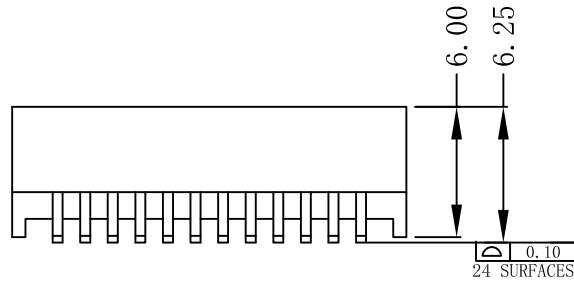
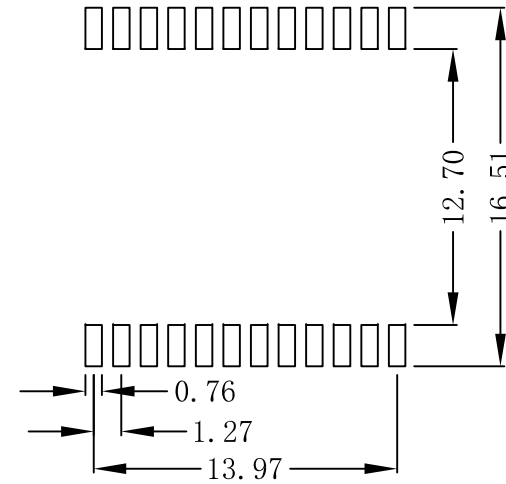
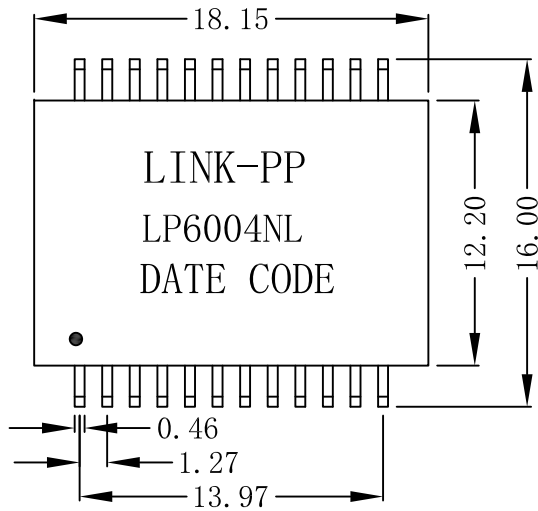
- Turns Ratio:  
Pri : Sec = 1CT : 1CT
- OCL: 350uH Min  
@100KHz, 100mV, 8mADC Bias
- Insertion Loss:  
1-100MHz: -1.0dB MAX
- Return Loss (dB MIN @100Ω):  
1-30MHz: -18      40MHz: -18  
50MHz: -16      60-80MHz: -12  
100MHz: -10
- Crosstalk (dB MIN):  
30MHz: -45      60MHz: -40  
100MHz: -35
- DCMR (dB MIN):  
30MHz: -43      60MHz: -37  
100MHz: -33
- Hipot: 3500Vrms MIN
- Operating Temperature: 0°C ~ 70°C.



X:X	±0.25	APPD:	LINK-PP INT'L TECHNOLOGY CO., LIMITED	
X:XX	±0.20	CHKD:	TITLE: 1000Base-T Magnetic Modules	
X:XXX	±0.10	DR: TOM	PART NO.: LP6004NL	
ANGLES	±1°	UNIT: mm	DWG NO.: LP16053101	
	SCALE: 2/1	SHEET: 1/2	REV: A	

# Mechanical:

REV.	ECN NO.	DESCRIPTION	DATE	APPD
A	REL		2016-05-31	



## NOTES:

1. Designed to support application, such as SOHO (ADSL modems), LAN-on-Motherboard (LOM), hub and Switches.
2. Meets IEEE 802.3 specification.
3. Maximum reflow temperature is 250°C, 5 Sec.



X:X	±0.25	APPD:	LINK-PP INT'L TECHNOLOGY CO., LIMITED
X:XX	±0.20	CHKD:	
X:XXX	±0.10	DR: TOM	TITLE: 1000Base-T Magnetic Modules
ANGLES	±1°	UNIT: mm	PART NO.: LP6004NL
	SCALE: 2/1	SHEET: 2/2	REV: A
			DWG NO.: LP16053101