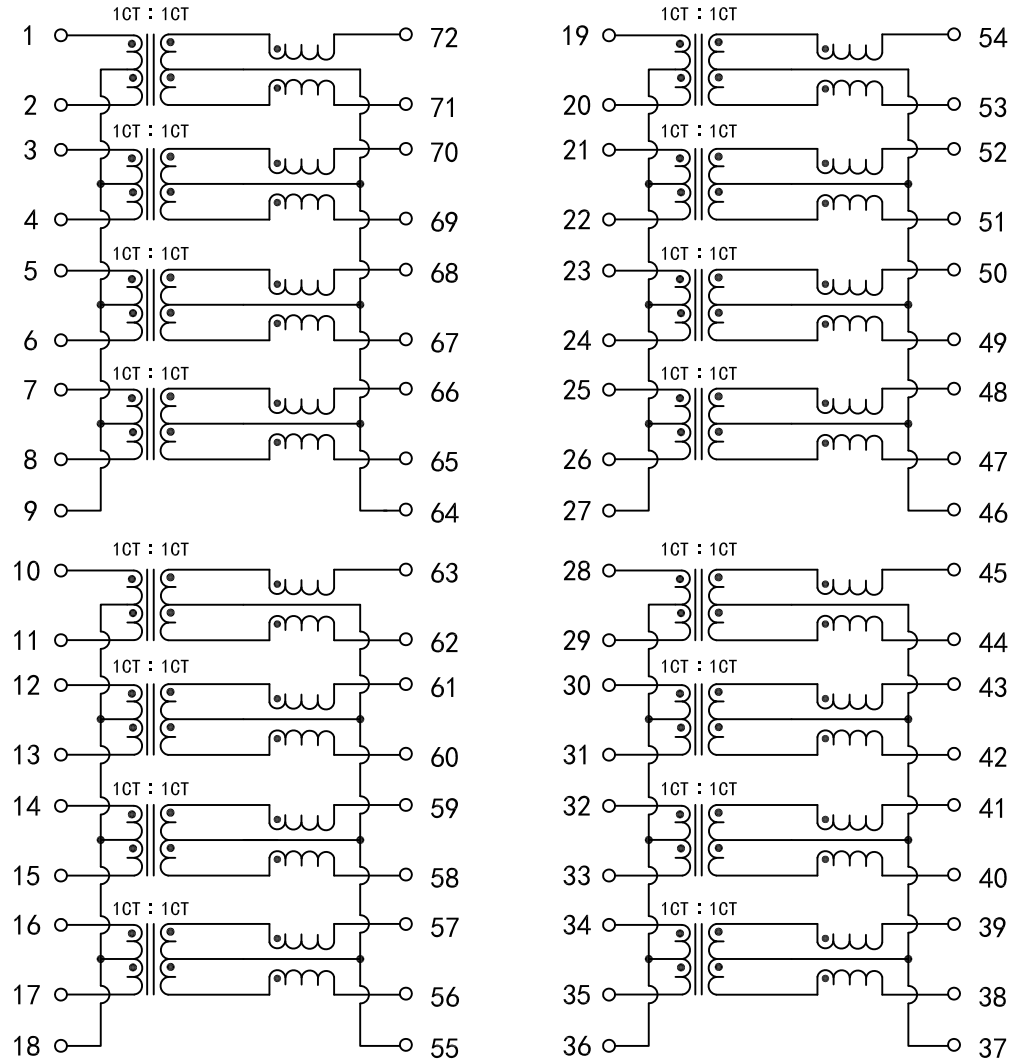


Schematic:



REV.	ECN NO.	DESCRIPTION	DATE	APPD
A	REL		2010/11/24	

Electrical Specifications @25°C

1. OCL:
350uH Min @100KHz, 100mV, 8mADC Bias.
2. Turns Ratio(Pri/Sec): 1CT : 1CT $\pm 5\%$
3. Insertion Loss:
100KHz-100MHz:-1.0dB Max
4. Return Loss(dB Min)@ Load 100 Ω :

1-30MHz:-18	40MHz:-14.4
50MHz:-13.1	60-80MHz:-12
100MHz:-12	
5. Cross talk Attenuation(dB Min):

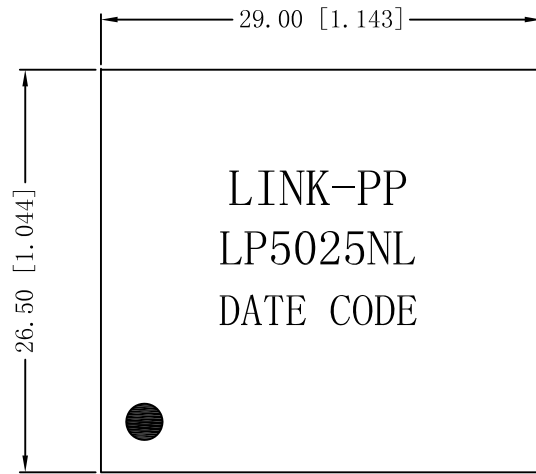
30MHz:-40	60MHz:-35
100MHz:-30	
6. Differential to Common Mode Rejection:

30MHz:-40dB Min	60MHz:-35dB Min
100MHz:-30dB Min	
7. Hipot: 1500Vrms (Input to Output)
8. Operating Temperature: 0°C ~ +70°C.
9. Storage Temperature: -25°C ~ +105°C

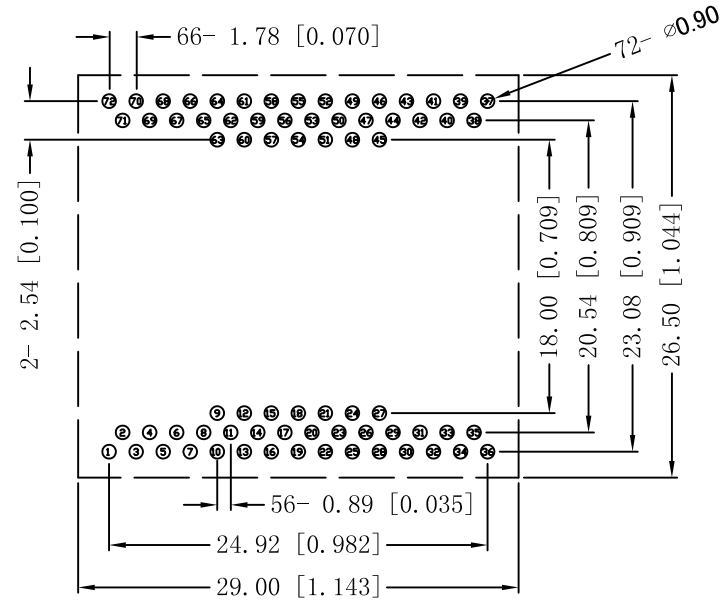


X:X ± 0.30 [0.012]	APPD:	LINK-PP INT'L TECHNOLOGY CO., LIMITED		
X:XX ± 0.25 [0.010]	CHKD:	TITLE: 1000 Base-T Quad Port Magnetics Modules		
X:XXX ± 0.05 [0.002]	DR: TOM	PART NO.: LP5025NL		
ANGLES $\pm 1^\circ$	UNIT: mm[Inches]	SCALE: 2/1	SHEET: 1/2	REV: A DWG NO.: LP10112420

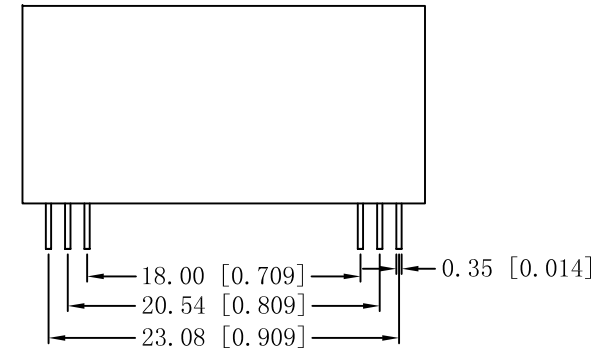
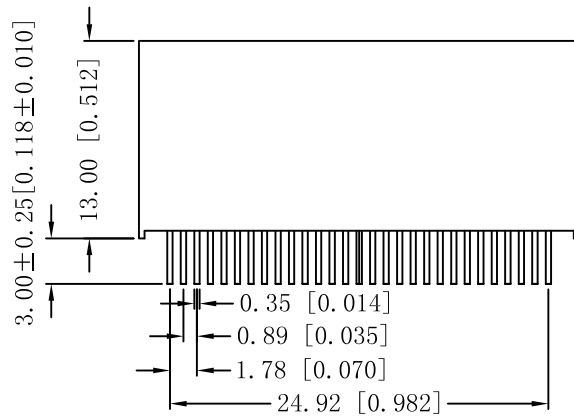
Mechanical:



REV.	ECN NO.	DESCRIPTION	DATE	APPD
A	REL		2010/11/24	



SUGGESTED PCB LAYOUT(TOP VIEW)



NOTES:

1. Designed to support application, such as SOHO (ADSL modems), LAN-on-Motherboard (LOM), hub and Switches.
2. With various Turns Ratios.
3. Meets all IEEE Standards including 350uH OCL with 8mA bias current.
4. RoHS "NL" peak solder rating 260°C ± 5°C.



X:X ±0.30 [0.012]	APPD:	LINK-PP INT'L TECHNOLOGY CO., LIMITED
X:XX ±0.25 [0.010]	CHKD:	
X:XXX ±0.05 [0.002]	DR: TOM	TITLE: 1000 Base-T Quad Port Magnetics Modules
ANGLES ±1°	UNIT: mm [Inches]	PART NO.: LP5025NL
	SCALE: 2/1	SHEET: 2/2
	REV: A	DWG NO.: LP10112420