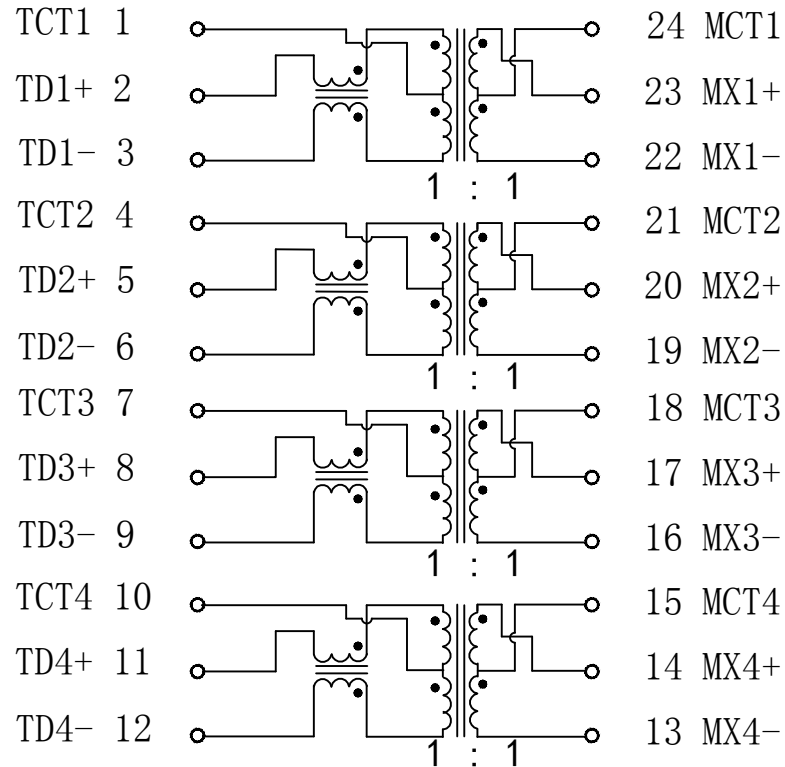


Schematic:

REV.	ECN NO.	DESCRIPTION	DATE	APPD
A	REL		2015/07/18	



Electrical Specifications @25°C

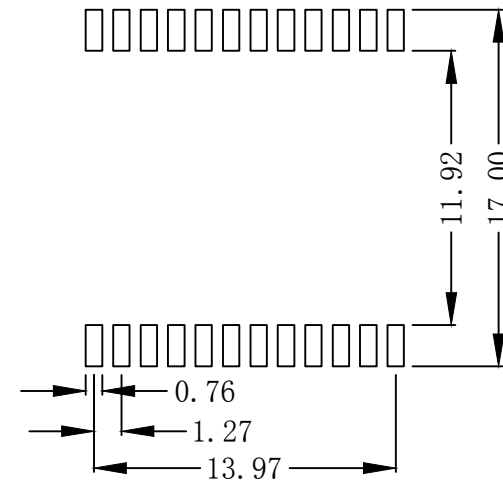
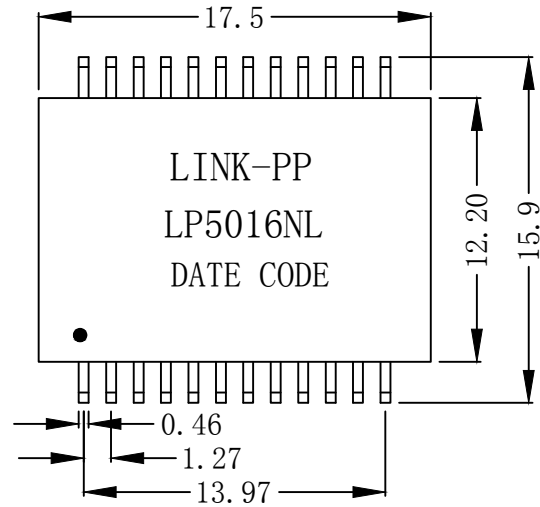
- Turns Ratio:
Pri:Sec = 1CT:1CT
- Primary inductance: 180uH MIN
- Insertion Loss (dB MAX):
1-50MHz: 0.5 50-125MHz: -1.0
125-200MHz: -2.0
- Return Loss (dB MIN):
1-40MHz: -20 100MHz: -14
200MHz: -9.5
- Crosstalk (dB MIN):
1-125MHz: -28 125-200MHz: -25
- Hipot: 1800Vrms MIN
- Operating Temperature: 0°C ~ +70°C.



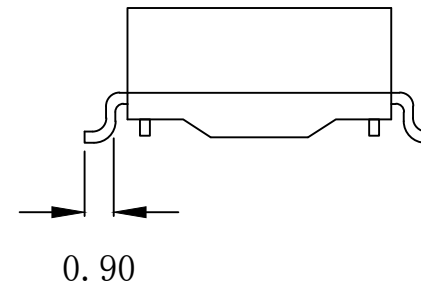
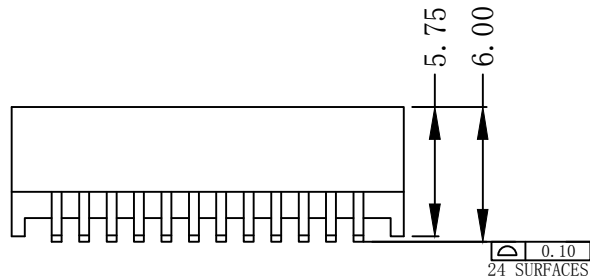
X:X	±0.30	APPD:	LINK-PP INT'L TECHNOLOGY CO., LIMITED	
X:XX	±0.25	CHKD:	TITLE: 2.5G BaseT PC Card SMD Transformer Modules	
X:XXX	±0.05	DR: James	PART NO.: LP5016NL	
ANGLES	±1°	UNIT: mm		
	SCALE: 2/1	SHEET: 1/2	REV: A	DWG NO.: LP15071806

Mechanical:

REV.	ECN NO.	DESCRIPTION	DATE	APPD
A	REL		2015/07/18	



SUGGESTED PAD LAYOUT



NOTES:

1. Designed to support application, such as SOHO (ADSL modems), LAN-on-Motherboard (LOM), hub and Switches.
2. Meets IEEE 802.3 specification.
3. Flammability Rating: UL94V-0
4. Maximum reflow temperature is 250°C, 5 Sec.
5. UL certification: file number E484635



X:X	±0.30	APPD:	LINK-PP INT'L TECHNOLOGY CO., LIMITED	
X:XX	±0.25	CHKD:	TITLE: 2.5G BaseT PC Card SMD Transformer Modules	
X:XXX	±0.05	DR: James	PART NO.: LP5016NL	
ANGLES	±1°	UNIT: mm	REV: A	DWG NO.: LP15071806
		SCALE: 2/1	SHEET: 2/2	