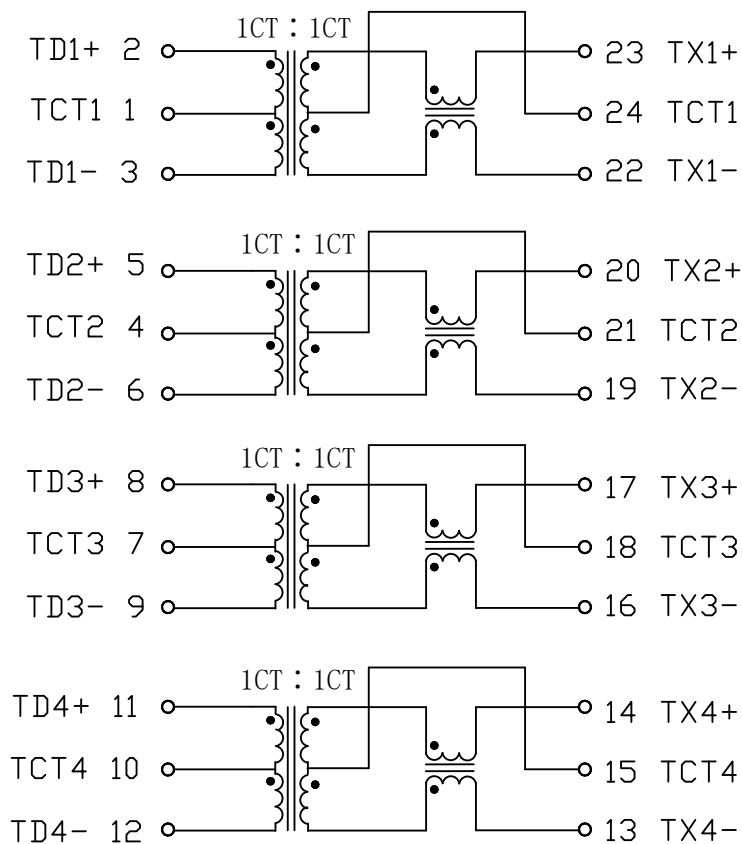


Schematic:

REV.	ECN NO.	DESCRIPTION	DATE	APPD
B	REL		2015-10-22	



Electrical Specifications @25°C

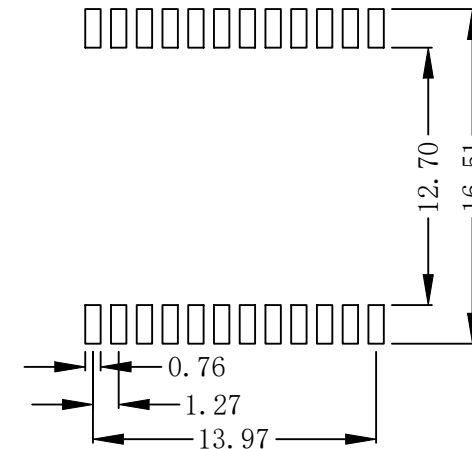
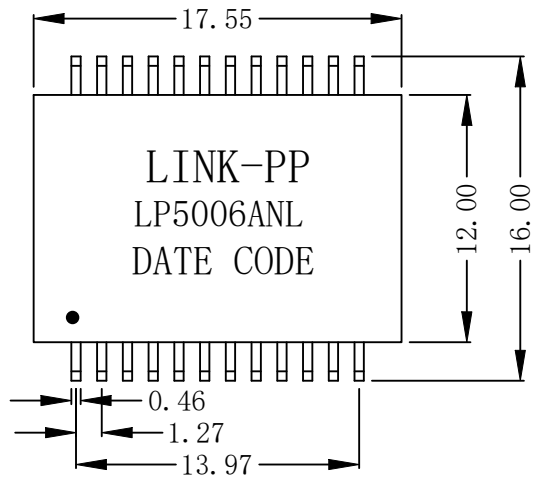
- Turns Ratio:
1CT : 1CT ±2%
- OCL: 350uH Min
@100KHz, 100mV, 8mADC Bias
- Insertion Loss:
0.3-100MHz: -1.1dB MAX
- Return Loss (dB MIN @100Ω):
1-30MHz: -16 40MHz: -16
50MHz: -14.1 60MHz: -12.5
80MHz: -10
- Crosstalk (dB MIN):
30MHz: -35.8 60MHz: -30.8
100MHz: -28.0
- CMR (dB MIN):
0.3-30MHz: -40 60MHz: -35
80-100MHz: -30
- 720mA Current Capability--It is suitable for IEEE802.3at
- Hipot: 1500Vrms 1mA 60S
- Operating Temperature: -40°C ~ +85°C.



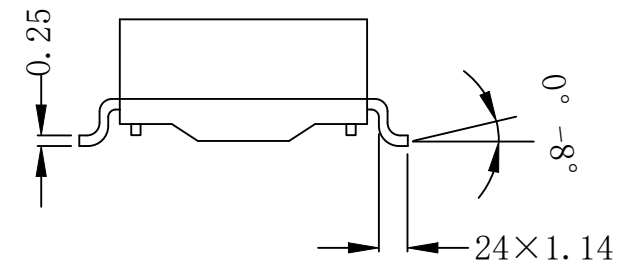
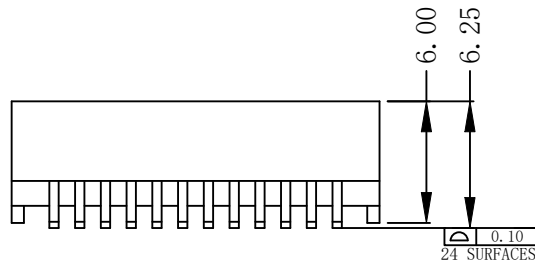
X:X	APPD: TOM	LINK-PP INT'L TECHNOLOGY CO., LIMITED		
X:XX ±0.25	CHKD: JAMES	TITLE:		
X:XXX	DR: LEO	100/1000Base-T Magnetic Modules For PoE+ Application		
ANGLES ±1°	UNIT: mm	PART NO.: LP5006ANL		
	SCALE: 2/1	SHEET: 1/2	REV: B	DWG NO.: LP15102201

Mechanical :

REV.	ECN NO.	DESCRIPTION	DATE	APPD
B	REL		2015-10-22	



SUGGESTED PAD LAYOUT



NOTES:

1. Designed to support application, such as SOHO (ADSL modems), LAN-on-Motherboard (LOM), hub and Switches.
2. Meets IEEE 802.3at specification.
3. Maximum reflow temperature is 250°C, 5 Sec.
4. UL Certification: File Number E484635.



X: X	APPD: TOM	LINK-PP INT'L TECHNOLOGY CO., LIMITED
X: XX ±0.25	CHKD: JAMES	
X: XXX	DR: LEO	TITLE: 100/1000Base-T Magnetic Modules For PoE+ Application
ANGLES ±1°	UNIT: mm	PART NO.: LP5006ANL
	SCALE: 2/1	SHEET: 2/2
	REV: B	DWG NO.: LP15102201