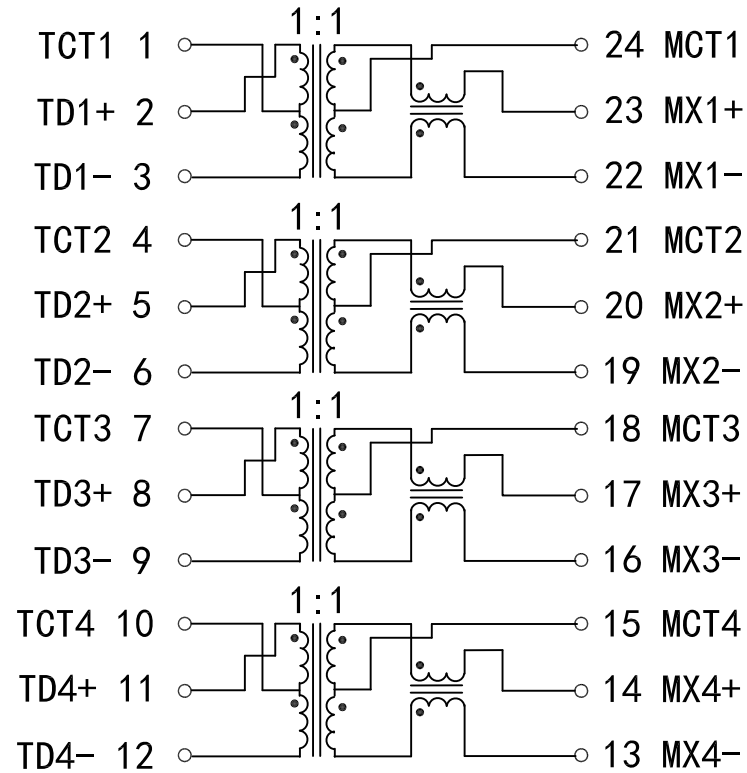


Schematic:

REV.	ECN NO.	DESCRIPTION	DATE	APPD
A	REL		2010/08/04	



Electrical Specifications @25°C

- Turns Ratio:
Pri:Sec = 1CT:1CT
- OCL: 350uH MIN.
@100KHz, 100mV, 8mADC Bias.
- Insertion Loss:
1-100MHz:-1.0dB MAX
- Return Loss(dB MIN @100Ω):

1-30MHz:-18	40MHz:-18
50MHz:-16	60-80MHz:-12
100MHz:-10	
- Crosstalk(dB MIN):

30MHz:-45	60MHz:-40
100MHz:-35	
- DCMR(dB MIN):

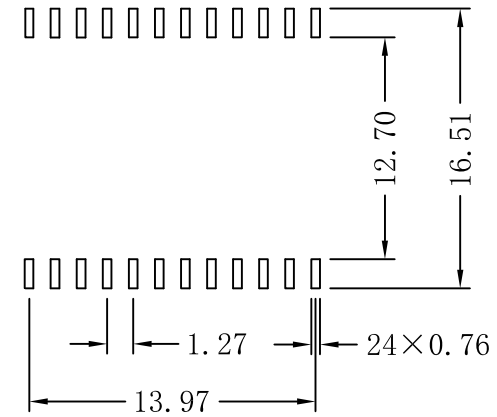
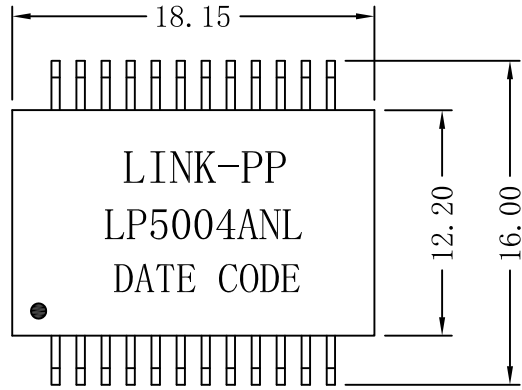
30MHz:-43	60MHz:-37
100MHz:-33	
- Hipot: 1500Vrms MIN
- Operating Temperature: -40°C ~ +85°C.



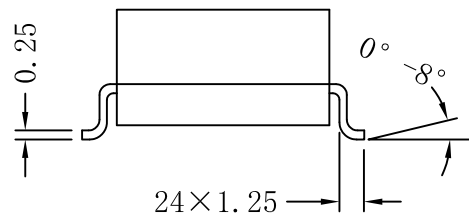
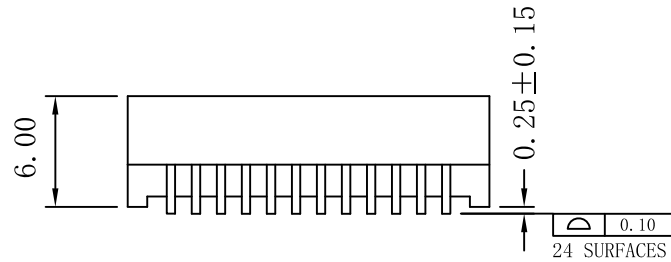
X:X	APPD:	LINK-PP INT'L TECHNOLOGY CO., LIMITED		
X:XX ±0.25	CHKD:	1000Base-T Magnetic Modules		
X:XXX	DR: TOM	PART NO.: LP5004ANL		
ANGLES ±1°	UNIT: mm	DWG NO.: LP10080403		
	SCALE: 2/1	SHEET: 1/2	REV: A	

Mechanical:

REV.	ECN NO.	DESCRIPTION	DATE	APPD
A	REL		2010/08/04	



SUGGESTED PAD LAYOUT



NOTES:

1. Designed to support application, such as SOHO (ADSL modems), LAN-on-Motherboard (LOM), hub and Switches.
2. Meets IEEE 802.3 specification.
3. Maximum reflow temperature is 250°C, 5 Sec.
4. UL certification: file number E484635.

Dimensions: mm

Unless otherwise specified, all tolerances are ±0.25



X:X	APPD:	LINK-PP INT'L TECHNOLOGY CO., LIMITED		
X:XX ±0.25	CHKD:			
X:XXX	DR: TOM	TITLE: 1000Base-T Magnetic Modules		
ANGLES ±1°	UNIT: mm	PART NO.: LP5004ANL		
	SCALE: 2/1	SHEET: 2/2	REV: A	DWG NO.: LP10080403