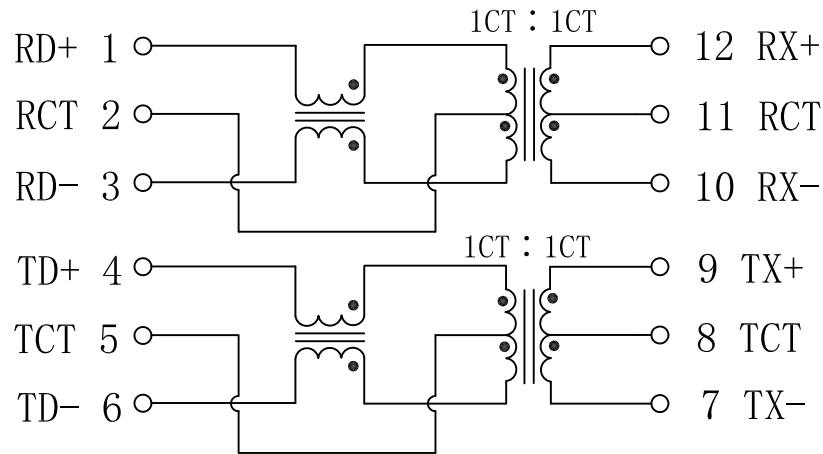


Schematic:

REV.	ECN NO.	DESCRIPTION	DATE	APPD
A	REL		2015/08/15	



Electrical Specification @25°C

- Turns Ratio:
 - P1-3 : P12-10 1 : 1 ±2%
 - P4-6 : P9-7 1 : 1 ±2%
- OCL (@100KHz, 0.1Vrms, With 36mA DC Bias):
 - P7-9, P12-10: 350uH Min
- Insertion Loss:
 - 0.5-100MHz: -1.0dB Max
- Return Loss (dB Min):
 - 0.5-30MHz: -18 30-45MHz: -15
 - 45-60MHz: -13 60-80MHz: -10
- Cross Talk:
 - 1-100MHz: -35dB Min
- CMRR:
 - 0.5-100MHz: -33dB Min
- Polarity: 1 & 12, 4 & 9 are in phase
- Hipot (Pri to Sec):
 - 1500Vrms, 1 minute or 1800Vrms, 1 second
- Designed for increased PoE+ requirement,
 - 1.1ADC current capability
- Operating Temperature: 0°C ~ 70°C.



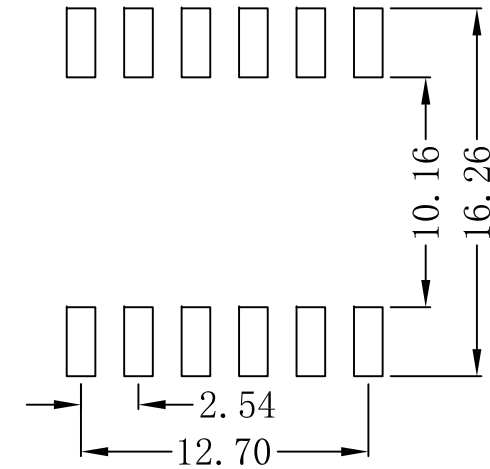
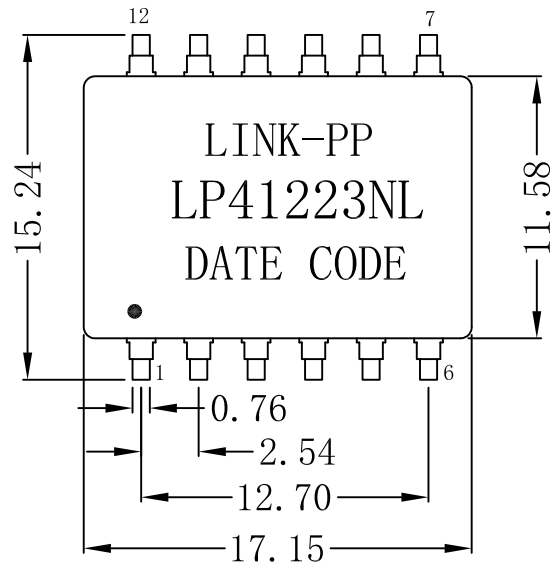
Dimensions: mm

Unless otherwise specified, all tolerances are ±0.25

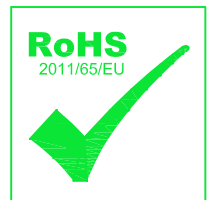
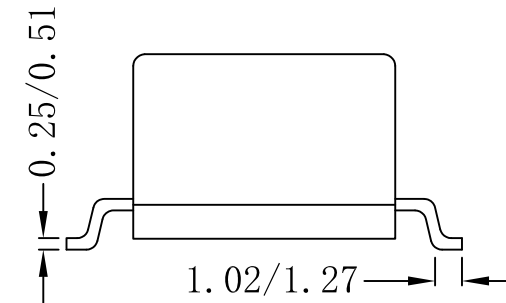
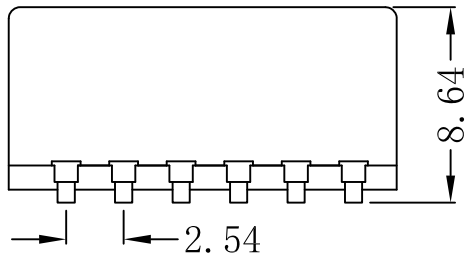
X:X	APPD:	LINK-PP INT'L TECHNOLOGY CO., LIMITED		
X:XX ±0.25	CHKD:	TITLE: 10/100 Base-T Single Port Transformer Modules For PoE+ Application		
X:XXX	DR: TOM	PART NO.: LP41223NL		
ANGLES ±1°	UNIT: mm			
	SCALE: 2/1	SHEET: 1/2	REV: A	DWG NO.: LP15081501

Mechanical:

REV.	ECN NO.	DESCRIPTION	DATE	APPD
A	REL		2015/08/15	



SUGGESTED PAD LAYOUT



Dimensions: mm

Unless otherwise specified, all tolerances are ± 0.25

NOTES:

1. Designed to support application, such as SOHO (ADSL modems), LAN-on-Motherboard (LOM), hub and Switches.
2. Meets IEEE 802.3at specification.
3. Maximum reflow temperature is 250°C, 5 Sec.
4. UL certification: file number E484635.

X:X	APPD:	LINK-PP INT'L TECHNOLOGY CO., LIMITED		
X:XX	± 0.25	CHKD:	TITLE: 10/100 Base-T Single Port Transformer Modules For PoE+ Application	
X:XXX		DR: TOM	PART NO.: LP41223NL	
ANGLES	$\pm 1^\circ$	UNIT: mm		
	SCALE: 2/1	SHEET: 2/2	REV: A	DWG NO.: LP15081501