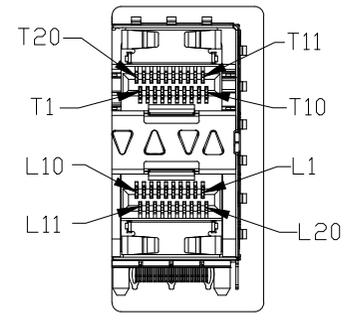
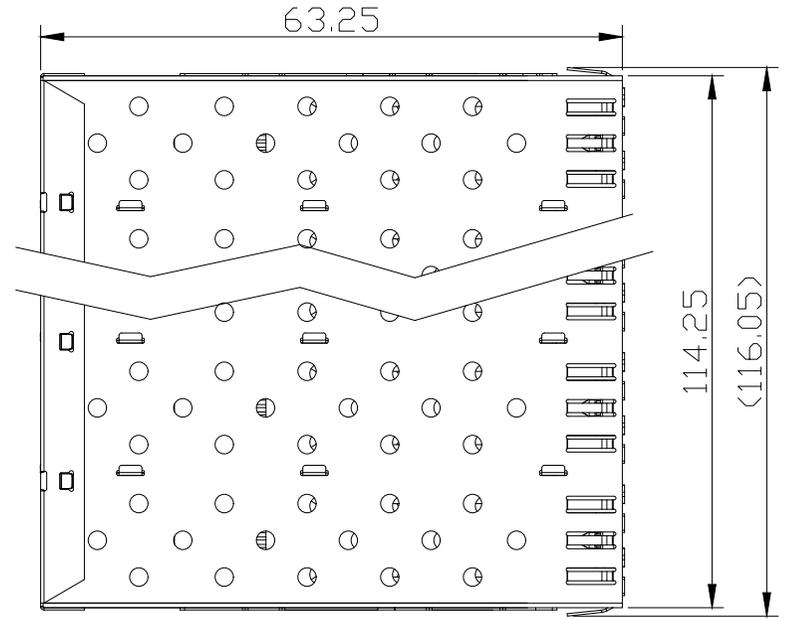
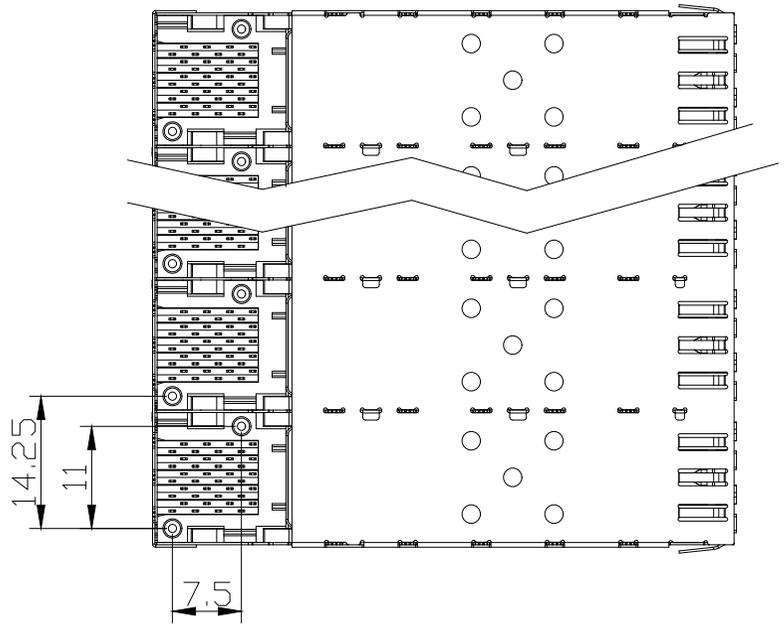
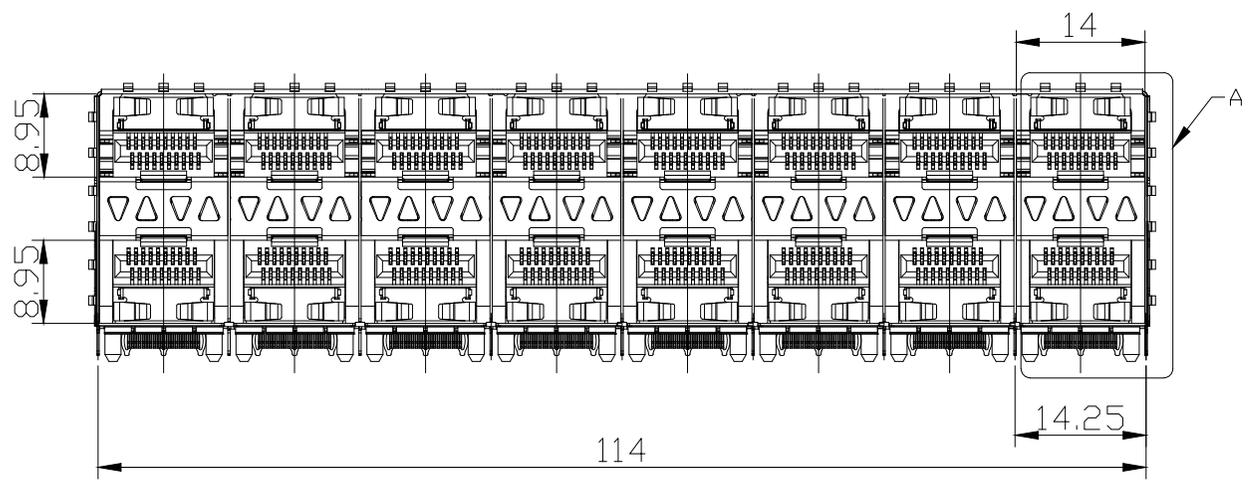
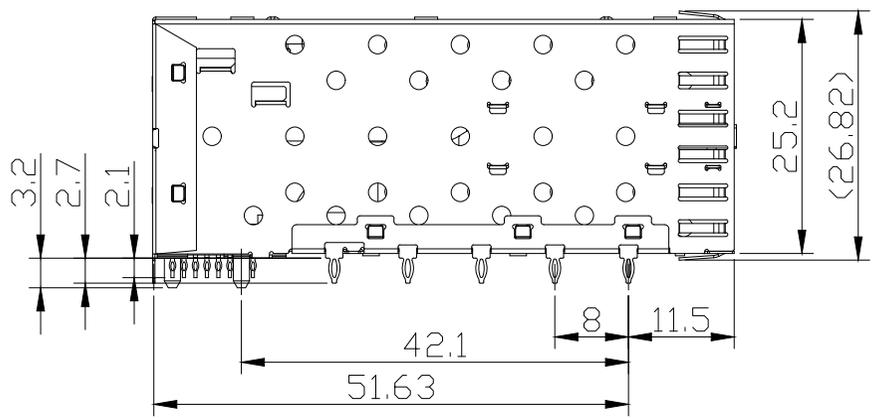


REV	DESCRIPTION OF CHANGE	REVIEWED BY	ISSUE DATE
A	FIRST ISSUE	LEO	2021-10-04



DETAIL A
1:1

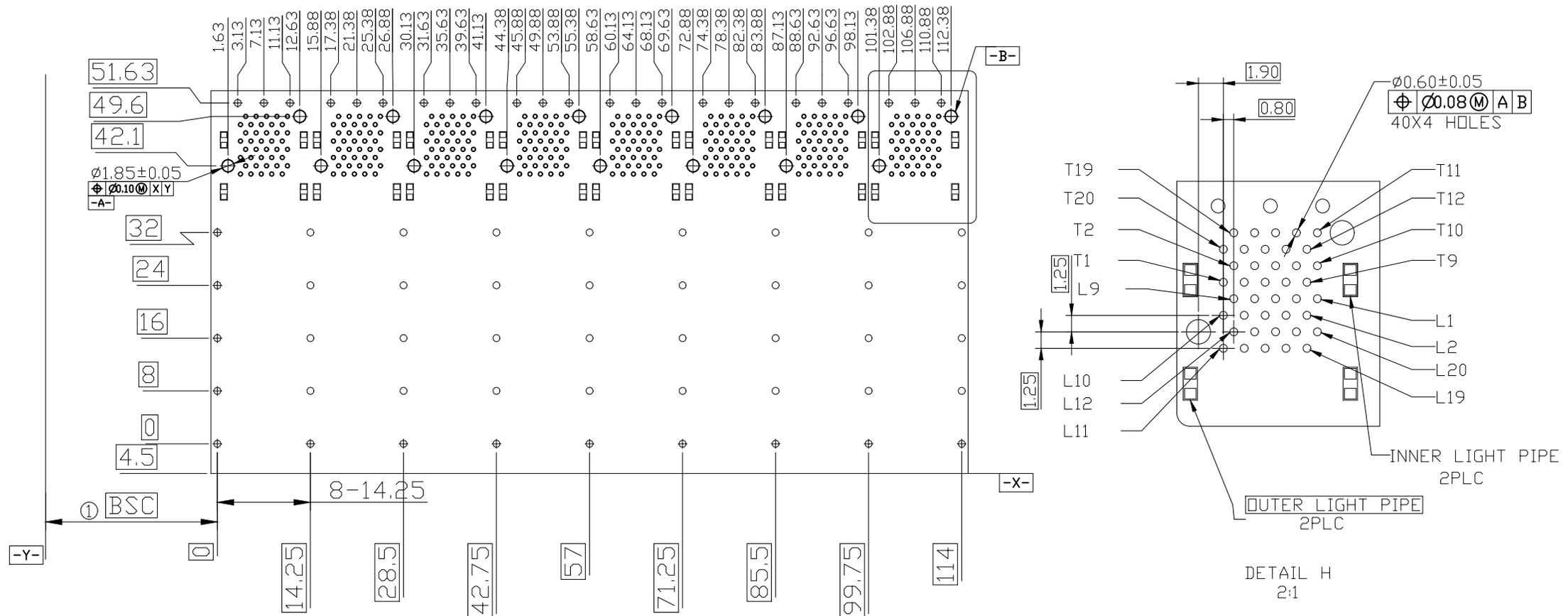


NOTES:

- MATERIAL:
- CAGE: COPPER ALLOY THICKNESS 0.25mm
- CONNECTOR:
- PLASTIC HOUSING: HIGH TEMPERATURE LCP, UL94 V-0.
- LIGHT PIPE: POLYCARBONATE; COLOR: CLEAR
- SPRING: STAINLESS STEEL THICKNESS 0.20mm
- CONTACTS: PHOSPHOR BRONZE, THICKNESS 0.20mm
- PLATING: 15 μ " MIN. GOLD ON MATING AREA, 150 μ " MIN. MATE TIN ON SOLDER TAILS.
- PACKAGING: TRAY PACKAGING.
- OPERATING TEMPERATURE: -40°C TO +85°C
- STORAGE TEMPERATURE: -55°C TO +105°C



TITLE SFP 2X8 CAGE & CONNECTOR WITH EMI SPRING FINHER LIGHT PIPE			LINK-PP INT'L TECHNOLOGY CO., LIMITED						
PART NO. LP28AC01101			GENNERAL TOLERANCE		UNIT:MM	SIZE:A4			
APPROVE	CHECK	DRAW			SCALE:1:1	SHEET:1/3	REV:A		
LEO	JAMES	JAMES						• X±0.20	• X±1°
								• XX±0.15	• XX±5°
			• XXX±0.10						



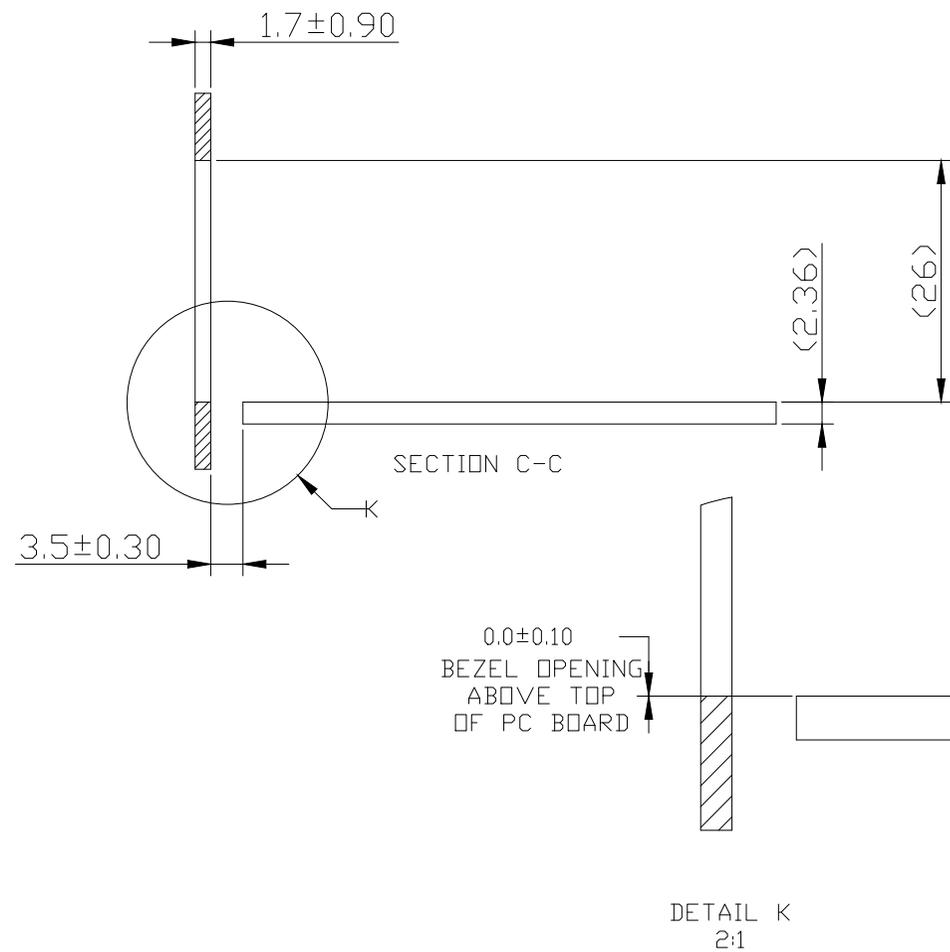
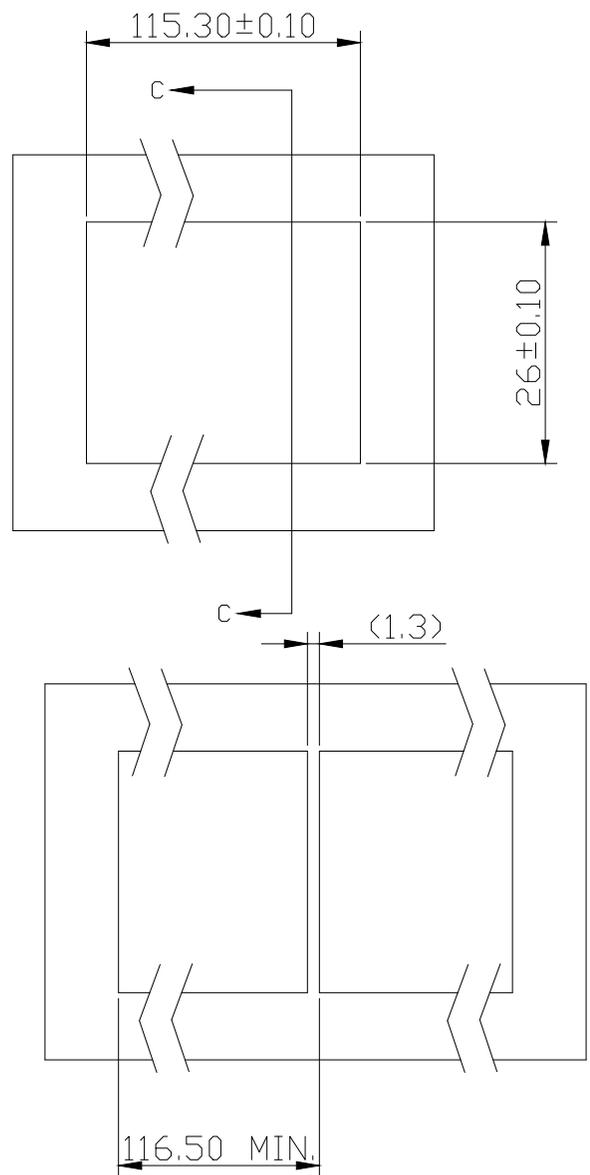
ECOMMENDED PCB CONFIGURATION

NOTES:

- ① DATUM AND BASIC DIMENSIONS ESTABLISHED BY CUSTOMER.
- ② 1.05 mm DIAMETER HOLES ARE CHASSIS GROUND (18 HOLES).



TITLE SFP 2X8 CAGE & CONNECTOR WITH EMI SPRING FINHER LIGHT PIPE			LINK-PP INT'L TECHNOLOGY CO., LIMITED		
PART NO. LP28AC01101			GENNERAL TOLERANCE		UNIT:MM SIZE:A4
APPROVE	CHECK	DRAW	◦ X±0.20	◦ X±1°	SCALE:1:1 SHEET:2/3 REV:A
LEO	JAMES	JAMES	◦ XX±0.15	◦ XX±5°	
			◦ XXX±0.10		



RECOMMENDED BEZEL DESIGN



TITLE SFP 2X8 CAGE & CONNECTOR WITH EMI SPRING FINHER LIGHT PIPE			LINK-PP INT'L TECHNOLOGY CO., LIMITED				
PART NO. LP28AC01101			GENNERAL TOLERANCE			UNIT:MM	SIZE:A4
APPROVE	CHECK	DRAW	◦ X±0.20	◦ X±1°	SCALE:1:1	SHEET:3/3	REV:A
LEO	JAMES	JAMES	◦ XX±0.15	◦ XX±5°			
			◦ XXX±0.10				