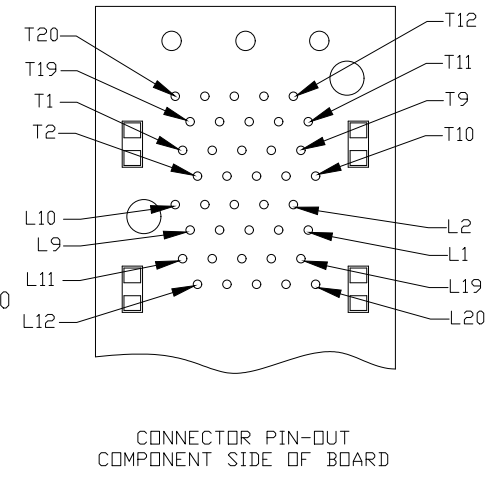
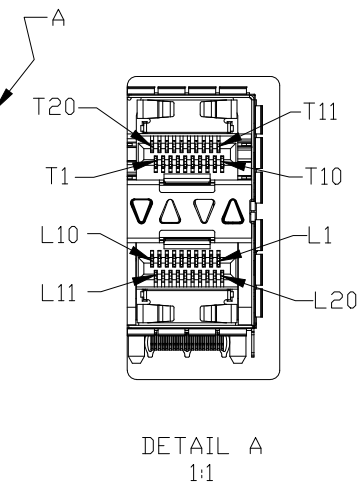
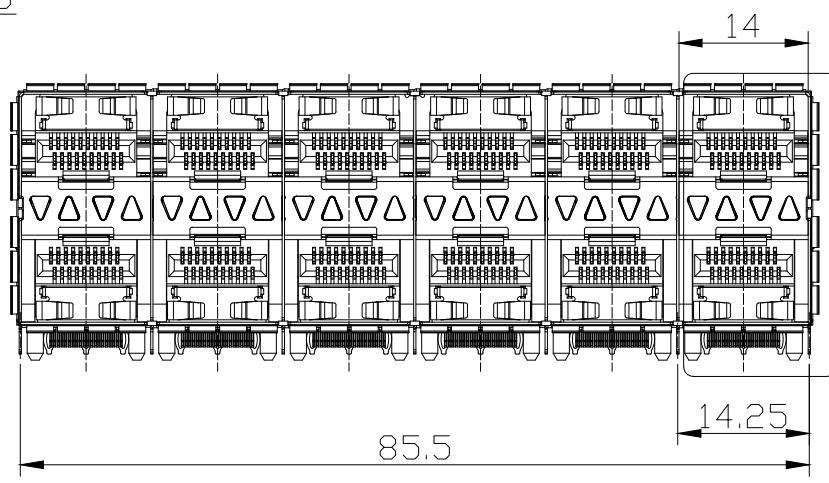
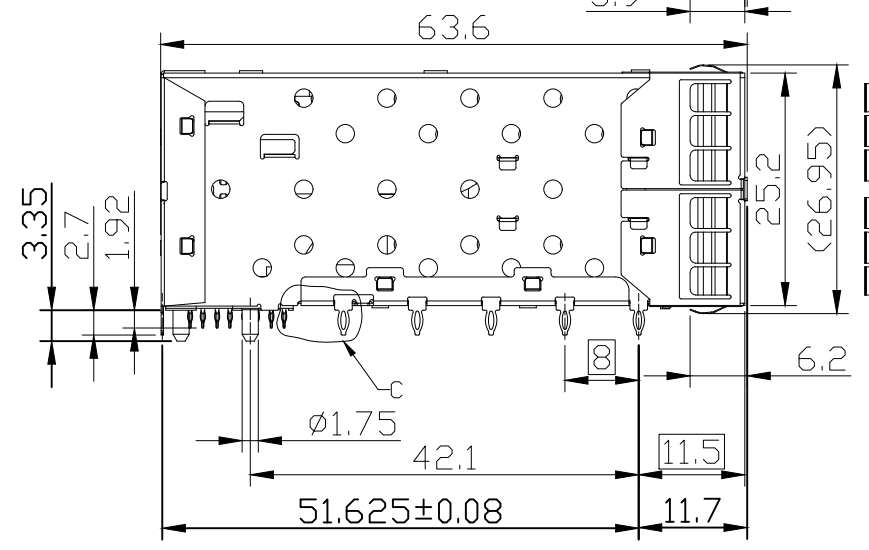
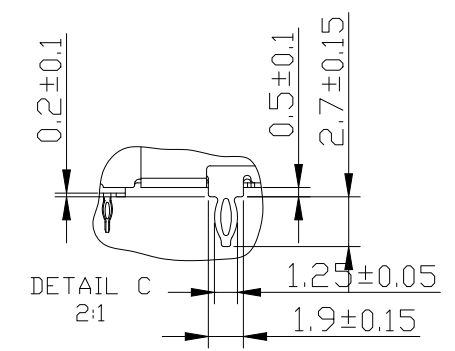
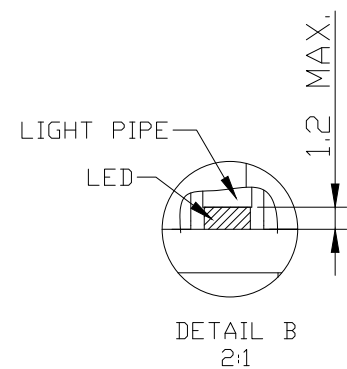
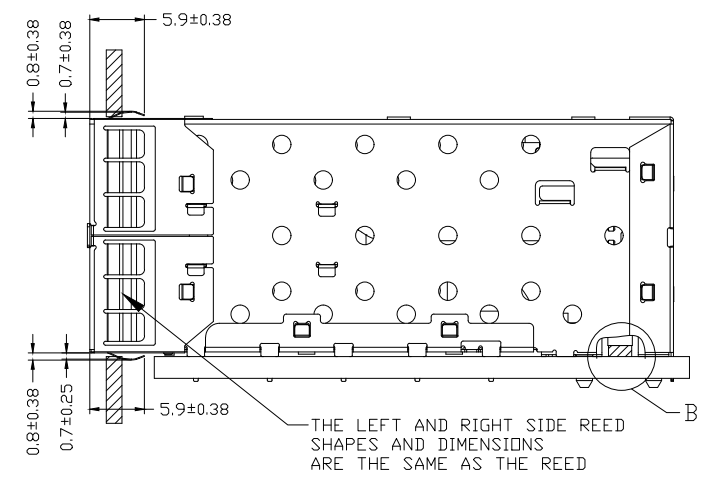
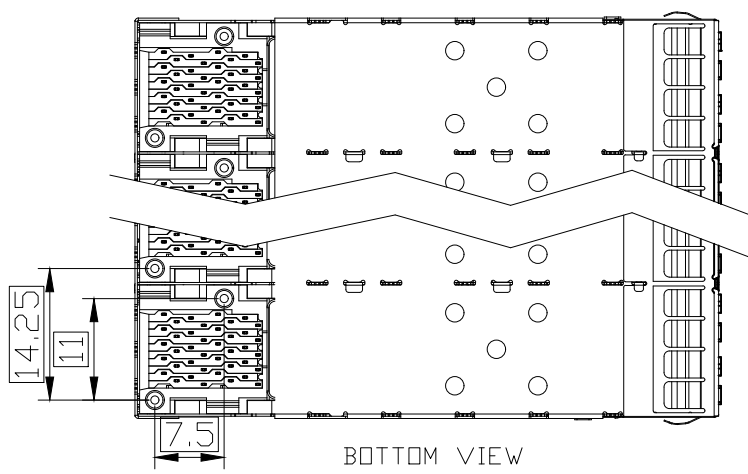
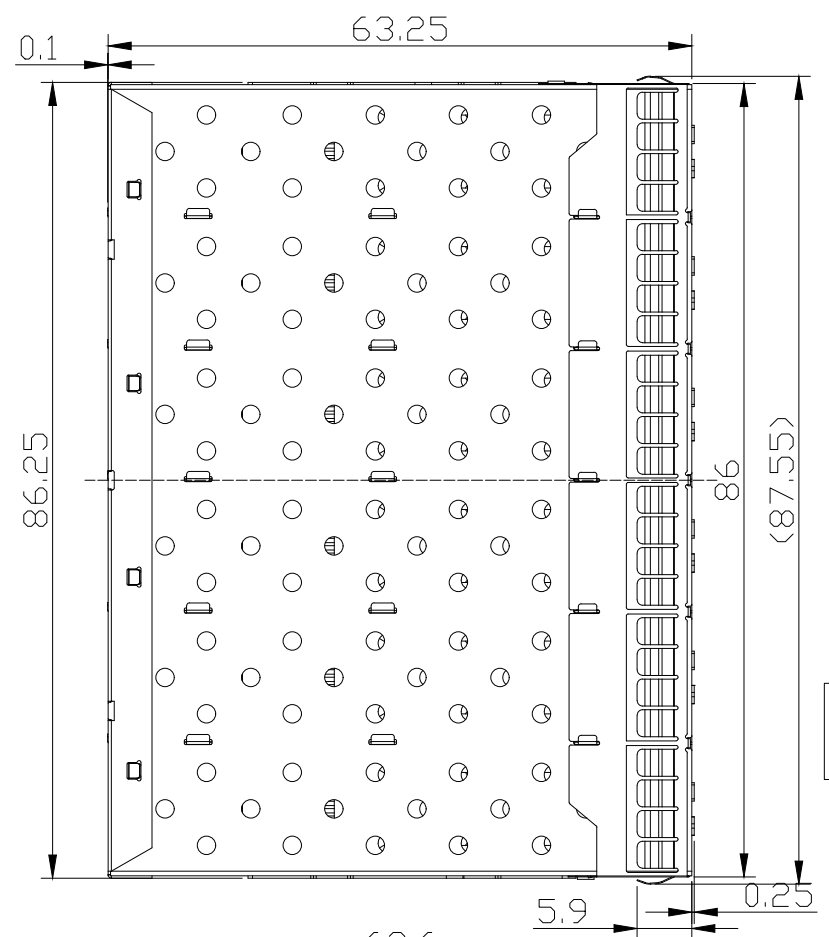


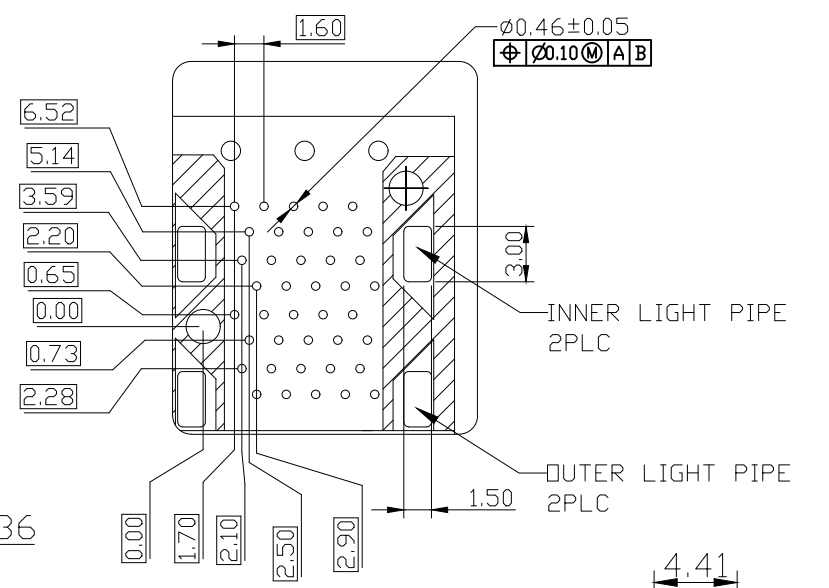
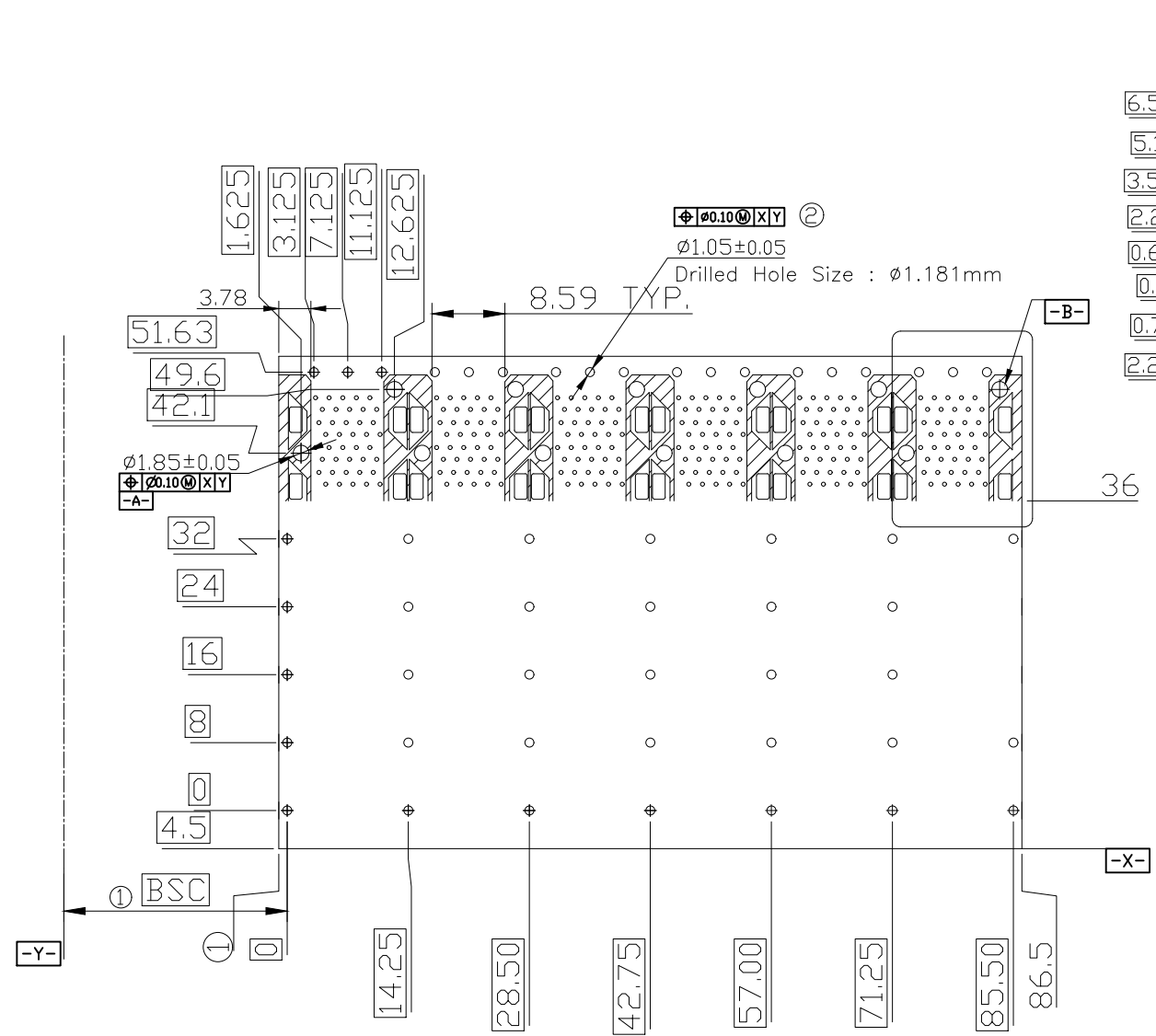
REV	DESCRIPTION OF CHANGE	REVIEWED BY	ISSUE DATE
A	FIRST ISSUE	LEO	2021-10-07

NOTES:
MATERIAL:
CAGE: COPPER ALLOY
CONNECTOR:
PLASTIC HOUSING: HIGH TEMPERATURE LCP, UL94 V-0.
LIGHT PIPE: POLYCARBONATE; COLOR: CLEAR
SPRING: STAINLESS STEEL
CONTACTS: PHOSPHOR BRONZE
CONTACT PLATING: 150u" MIN. GOLD ON MATING AREA,
150u" MATTE TIN ON SOLDER TAILS
PACKAGING: TRAY PACKAGING.
TEMPERATURE RANGE:
OPERATING : -40°C TO +85°C
NON OPERATING : -55C TO +105°C

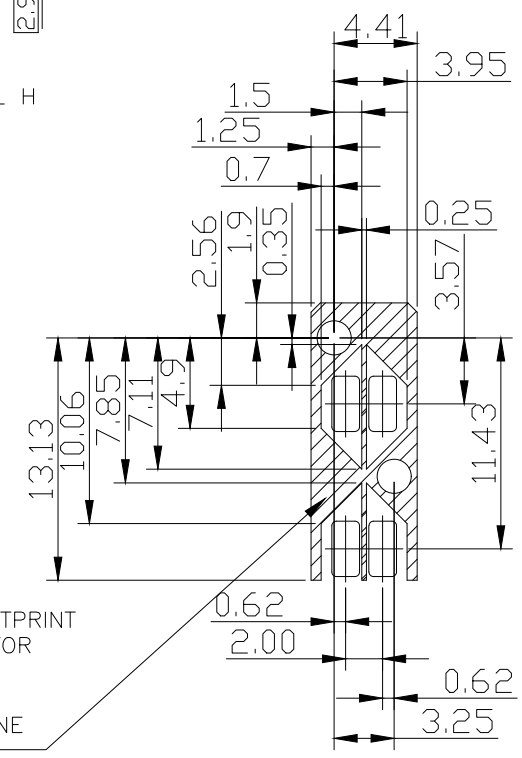


TITLE SFP+ 2X6 CAGE & CONNECTOR WITH EMI SPRING FINGER LIGHT PIPE		
PART NO. LP26BC01101		
APPROVE LEO	CHECK JAMES	DRAW JAMES

LINK-PP INT'L TECHNOLOGY CO., LIMITED			UNIT:MM	SIZE:A4
GENNERAL TOLERANCE . X±0.20 . X±1° . XX±0.15 . XX±5° . XXX±0.10	SCALE:1:1		SHEET:1/3	REV:A



DETAIL H
2:1



DETAIL LIGHT PIPE LOCATION AND OTHER ZONES
DETAIL K
2:1

NOTES:

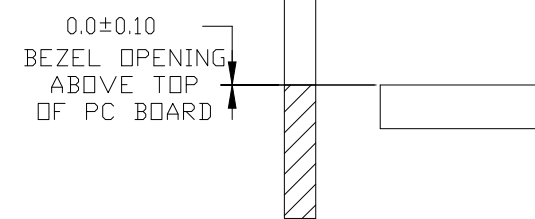
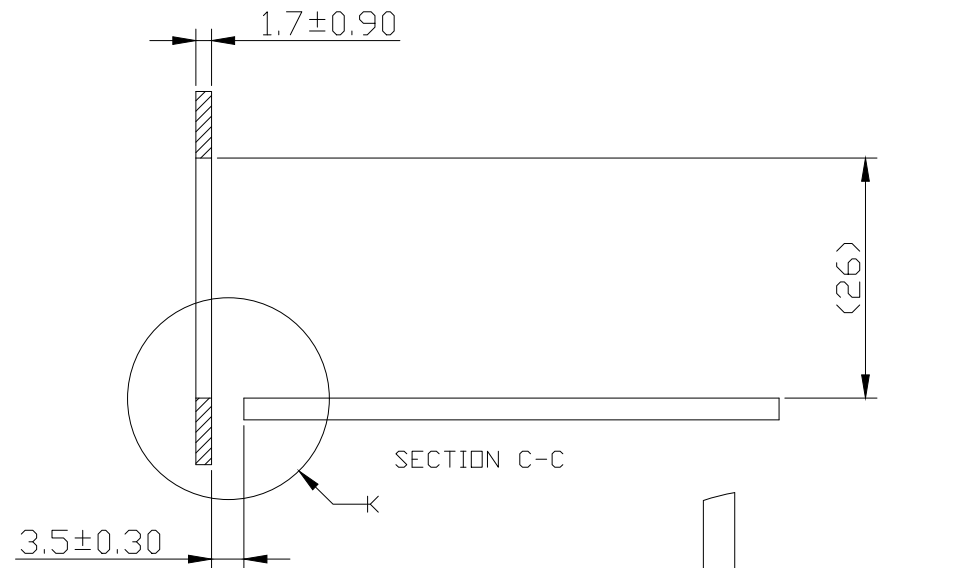
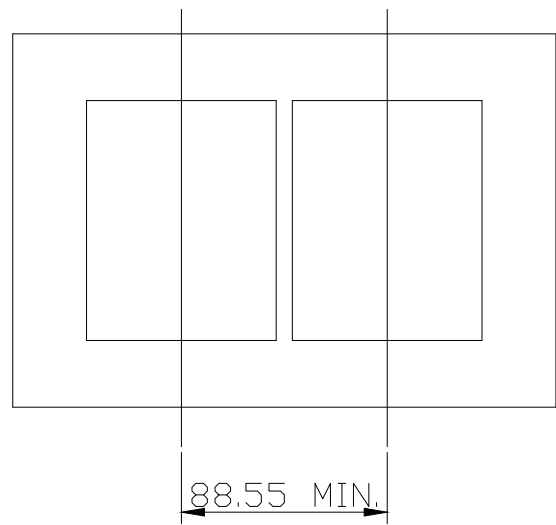
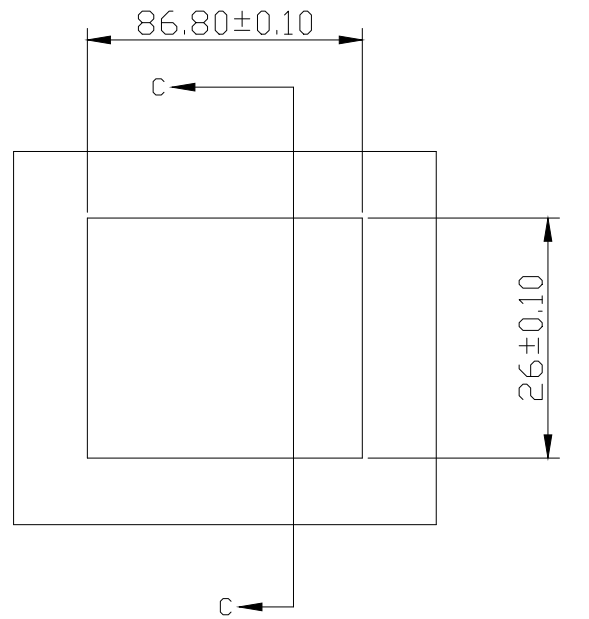
- DATUM AND BASIC DIMENSIONS ESTABLISHED BY CUSTOMER.
- 1.05 mm DIAMETER HOLES ARE CHASSIS GROUND (53 HOLES).

RECOMMENDED PCB CONFIGURATION

THE ENTIRE AREA OF THE CONNECTOR FOOTPRINT TO BE CONSIDERED THE KEEP OUT AREA FOR COMPONENTS (OTHER THAN LIGHT PIPE LED'S) THIS AREA IS INDICATED BY THE ANSI31 LINE



TITLE SFP+ 2X6 CAGE & CONNECTOR WITH EMI SPRING FINGER LIGHT PIPE			LINK-PP INT'L TECHNOLOGY CO., LIMITED		
PART NO. LP26BC01101			GENERAL TOLERANCE		UNIT:MM SIZE:A4
APPROVE	CHECK	DRAW	• X±0.20	• X±1°	SCALE:1:1 SHEET:2/3 REV:A
LEO	JAMES	JAMES	• XX±0.15	• XX±5°	
			• XXX±0.10		



RECOMMENDED BEZEL DESIGN



TITLE SFP+ 2X6 CAGE & CONNECTOR WITH EMI SPRING FINGER LIGHT PIPE			LINK-PP INT'L TECHNOLOGY CO., LIMITED				
PART NO. LP26BC01101			GENERAL TOLERANCE			UNIT:MM	SIZE:A4
APPROVE	CHECK	DRAW	◦ X±0.20	◦ X±1°	SCALE:1:1	SHEET:3/3	REV:A
LEO	JAMES	JAMES	◦ XX±0.15	◦ XX±5°			
			◦ XXX±0.10				