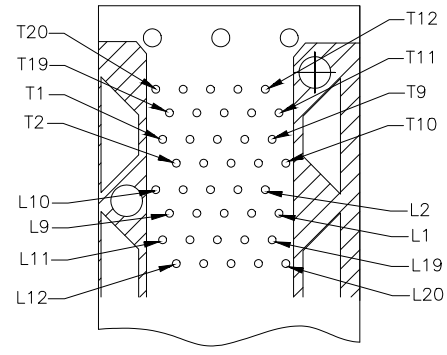
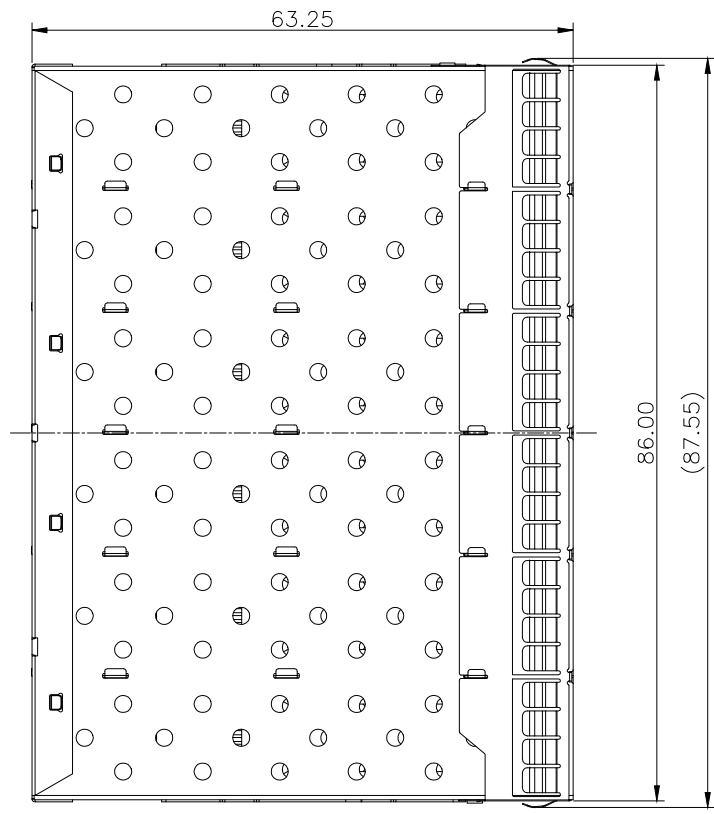


REV	DESCRIPTION OF CHANGE	REVIEWED BY	ISSUE DATE
A	FIRST ISSUE	LEO	2021-10-06



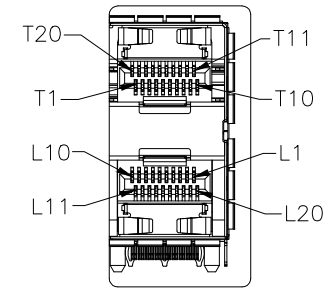
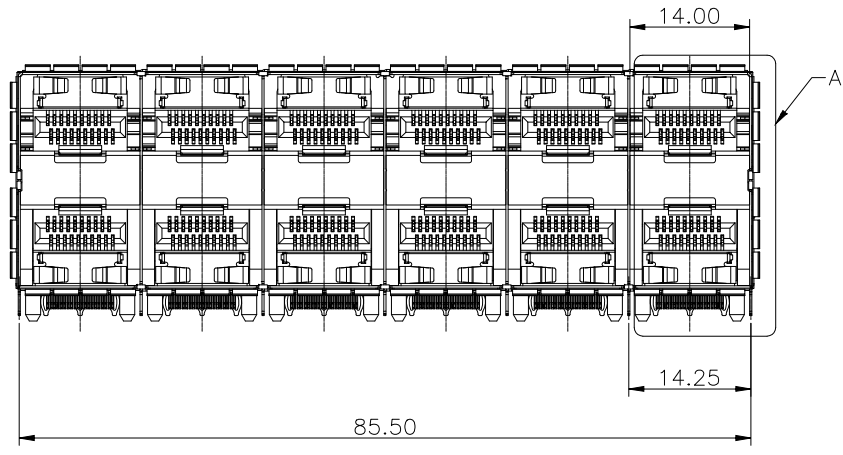
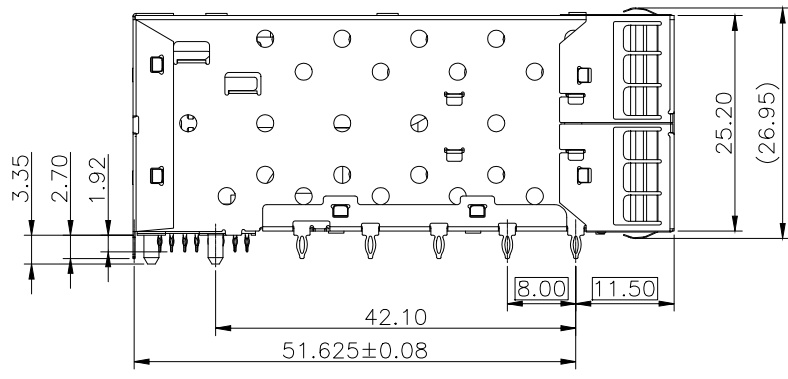
CONNECTOR PIN-OUT
COMPONENT SIDE OF BOARD

NOTES:

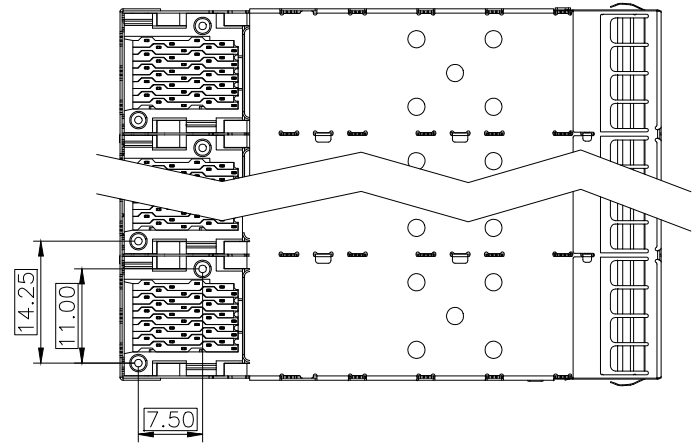
MATERIAL:
 CAGE: COPPER ALLOY 30u" MIN NI-PLATED, THICKNESS 0.25 MM
 CONNECTOR:
 PLASTIC HOUSING: HIGH TEMPERATURE LCP, UL94 V-0.
 SPRING: STAINLESS STEEL
 CONTACTS: PHOSPHOR BRONZE
 CONTACT PLATING: 15u" MIN. GOLD ON MATING AREA,
 150u" MATTE TIN ON SOLDER TAILS

PACKAGING: TRAY PACKAGING.

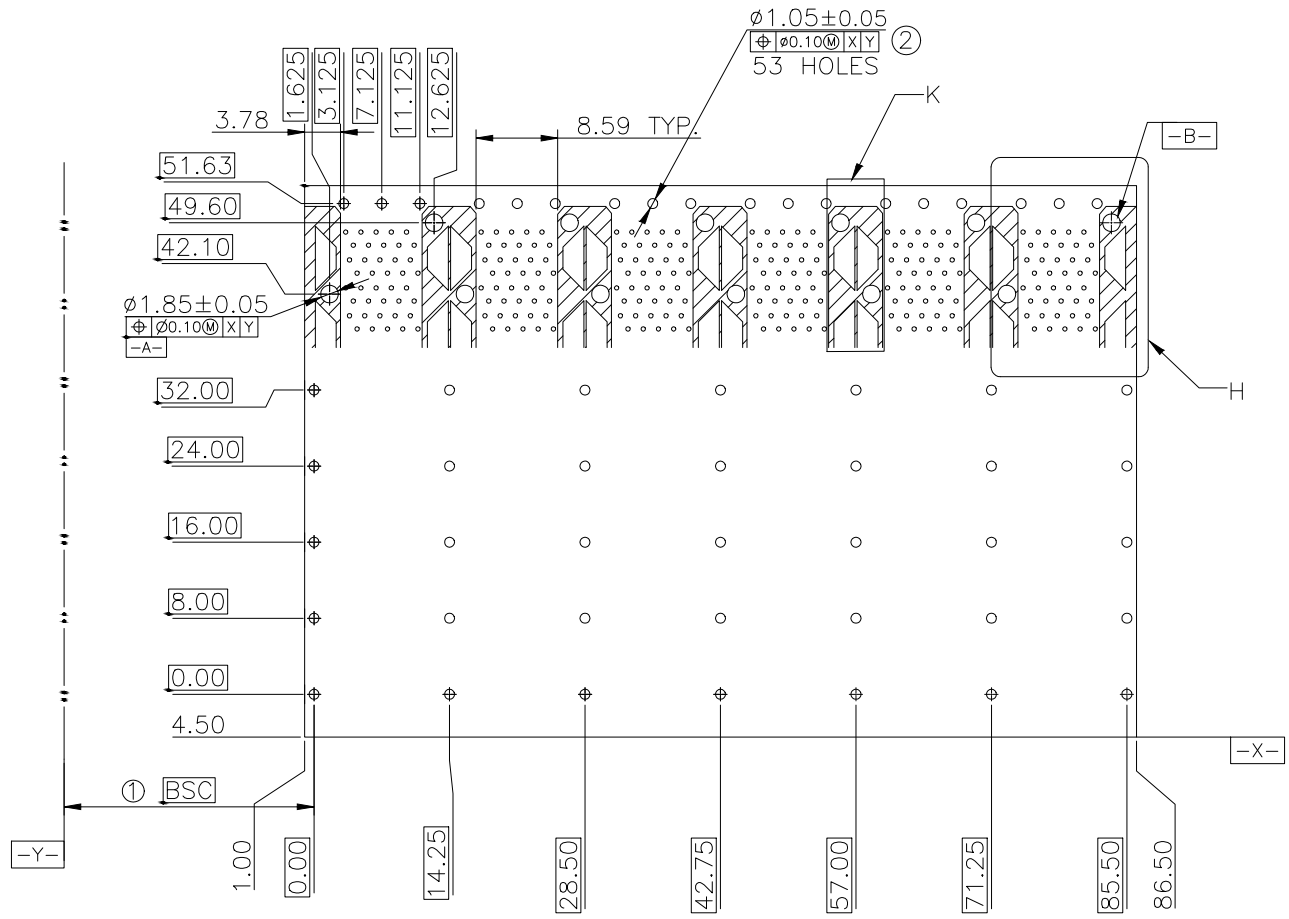
TEMPERATURE RANGE: -40°C TO +85°C
 STORAGE TEMPERATURE: -55°C TO +105°C



DETAIL A
1:1

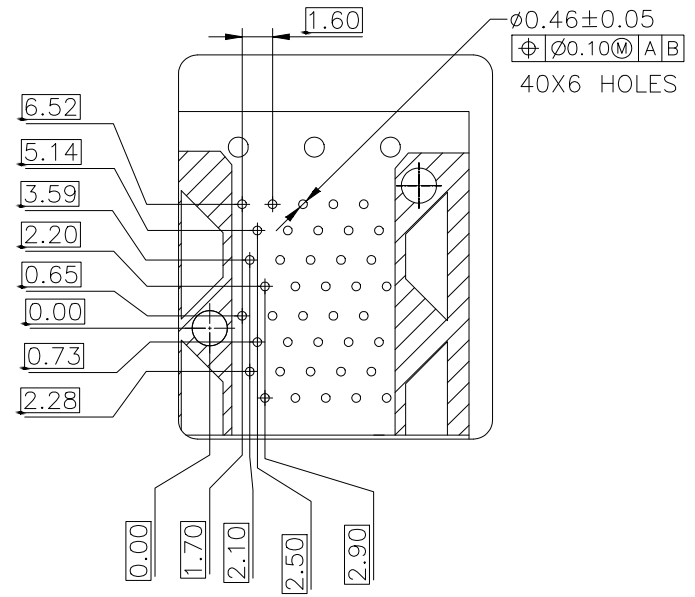


TITLE SFP+ 2X6 CAGE &CONNECTOR WITH EMI SPRING FINHER			LINK-PP INT'L TECHNOLOGY CO., LIMITED				
PART NO. LP26BC01001			GENERAL TOLERANCE		UNIT:MM	SIZE:A4	
APPROVE	CHECK	DRAW	° X±0.20	° X±1°	SCALE:1:1	SHEET:1/3	
LEO	JAMES	JAMES	° XX±0.15	° XX±5°			REV:A
			° XXX±0.10				

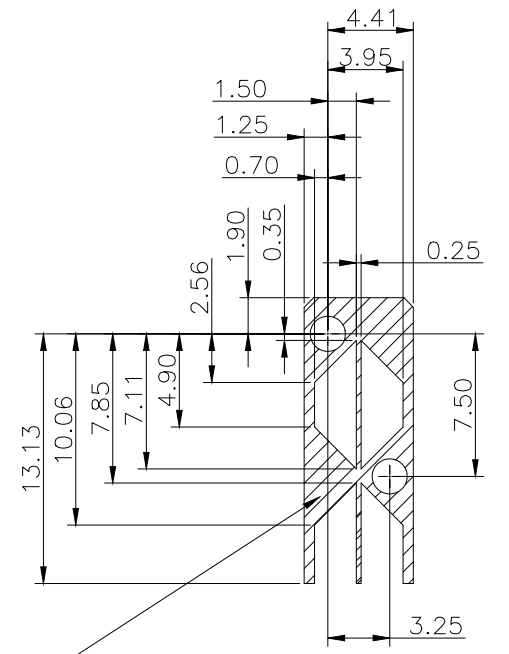


RECOMMENDED PCB CONFIGURATION

- NOTES:
- DATUM AND BASIC DIMENSIONS ESTABLISHED BY CUSTOMER.
 - 1.05 mm DIAMETER HOLES ARE CHASSIS GROUND.



DETAIL H
2:1

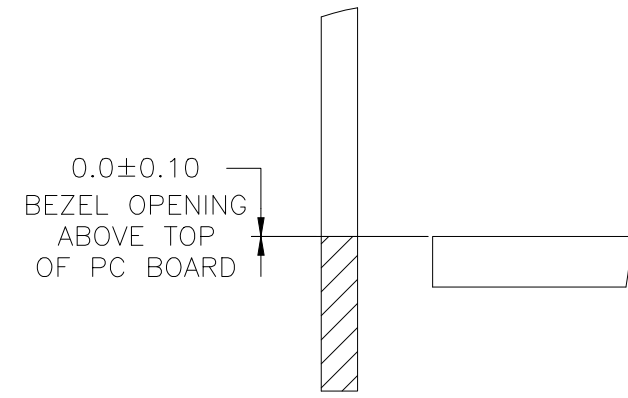
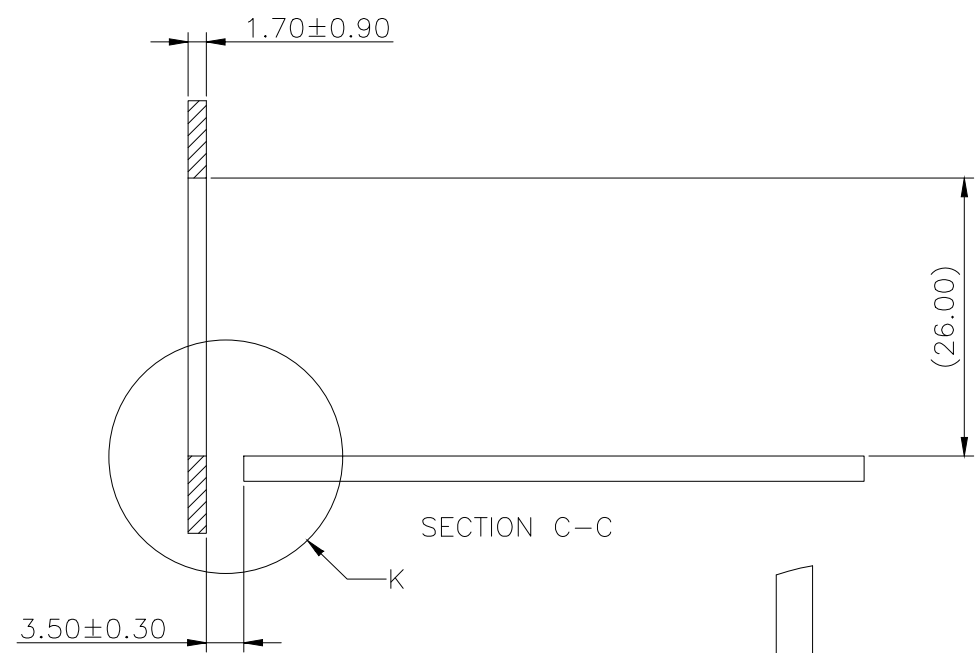
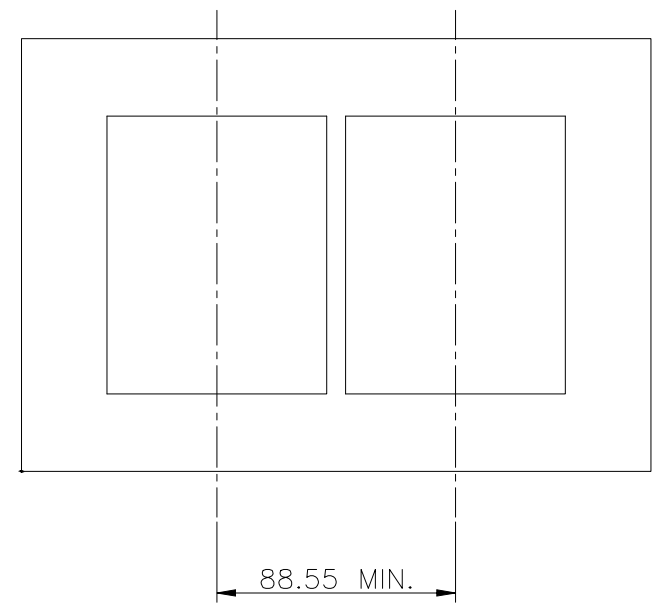
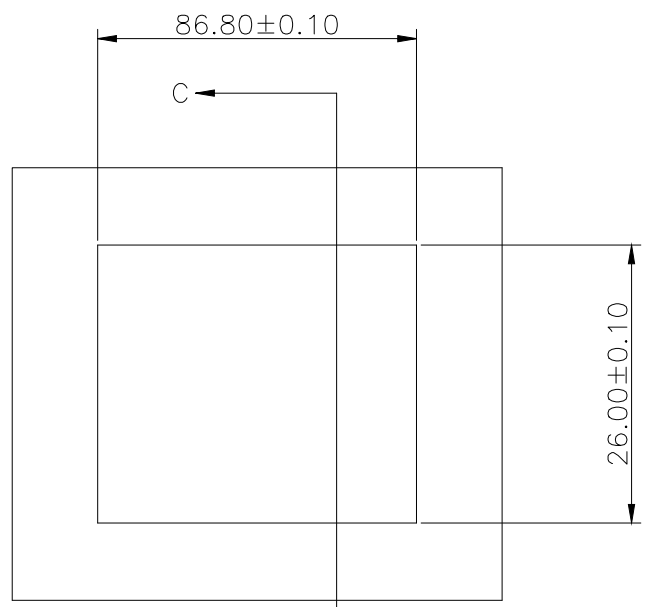


DETAIL LIGHT PIPE LOCATION AND OTHER ZONES
2:1

THE ENTIRE AREA OF THE CONNECTOR FOOTPRINT TO BE CONSIDERED THE KEEP OUT AREA FOR COMPONENTS (OTHER THAN LIGHT PIPE LED'S) THIS AREA IS INDICATED BY THE ANSI31 LINE



TITLE			LINK-PP INT'L TECHNOLOGY CO., LIMITED				
PART NO.			GENERAL TOLERANCE		UNIT:MM	SIZE:A4	
APPROVE	CHECK	DRAW	• X±0.20	• X±1°	SCALE:1:1	SHEET:2/3	
LEO	JAMES	JAMES	• XX±0.15	• XX±5°			REV:A
			• XXX±0.10				



RECOMMENDED BEZEL DESIGN

DETAIL K
2:1



TITLE			LINK-PP INT'L TECHNOLOGY CO., LIMITED			
PART NO.			GENERAL TOLERANCE		UNIT:MM	SIZE:A4
APPROVE	CHECK	DRAW	◦ X±0.20	◦ X±1°	SCALE:1:1	SHEET:2/3
LEO	JAMES	JAMES	◦ XX±0.15	◦ XX±5°		
			◦ XXX±0.10			