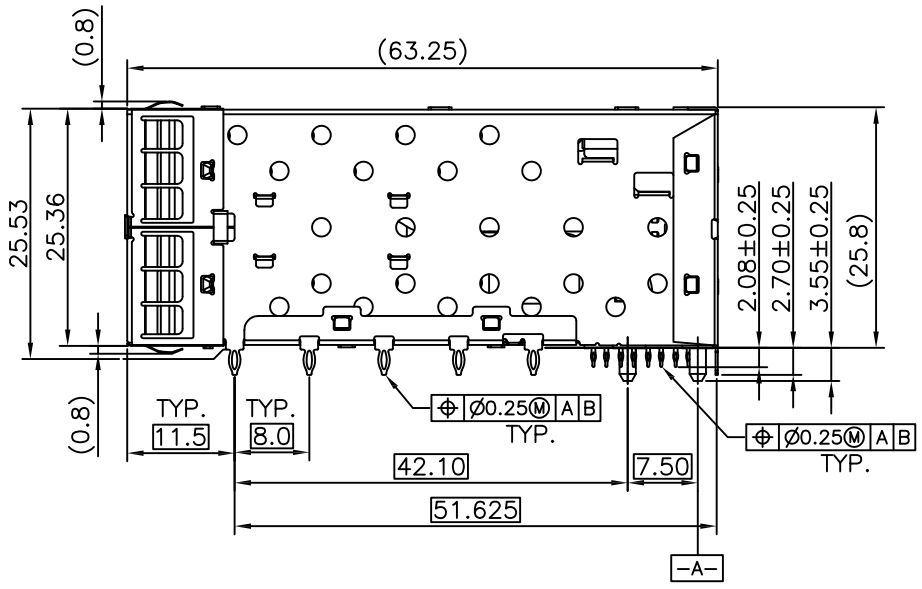
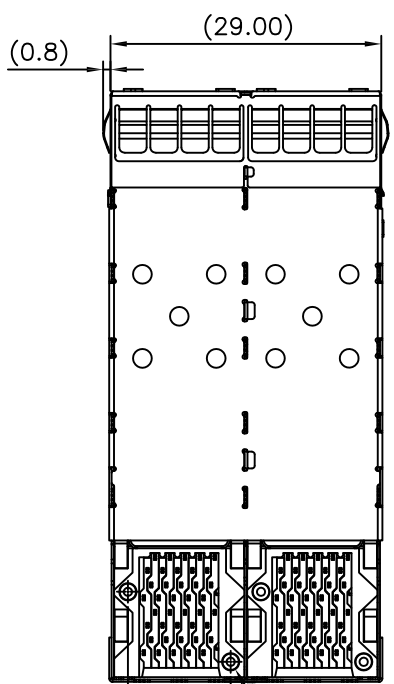
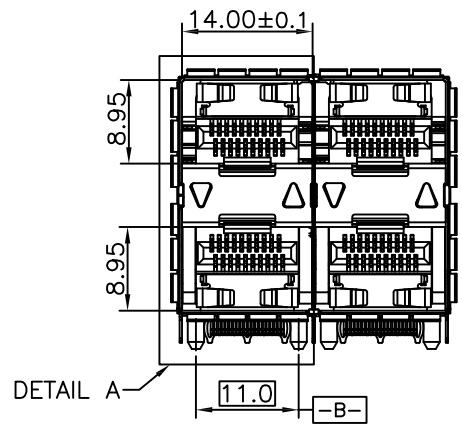


REV	DESCRIPTION OF CHANGE	REVIEWED BY	ISSUE DATE
A	FIRST ISSUE	James	2021-08-01

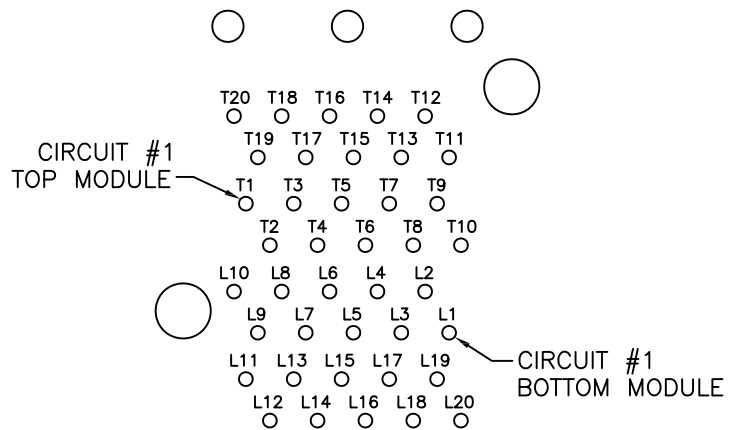


NOTES:

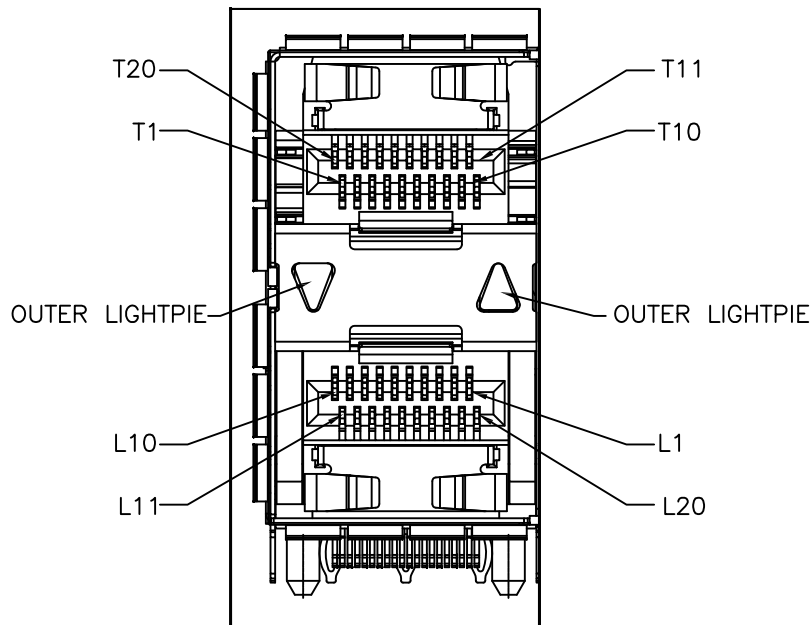
- MATERIAL:
 CAGE: COPPER ALLOY 30u" MIN NI-PLATED, THICKNESS 0.25 MM
 CONNECTOR:
 PLASTIC HOUSING: HIGH TEMPERATURE LCP, UL94 V-0.
 LIGHT PIPE: POLYCARBONATE; COLOR: CLEAR
 SPRING: STAINLESS STEEL, THICKNESS 0.20mm
 CONTACTS: PHOSPHOR BRONZE, THICKNESS 0.20mm
 PLATING: 15u" MIN. GOLD ON MATING AREA,
 150u" MIN. MATE TIN ON SOLDER TAILS.
 PACKAGING: TRAY PACKAGING.
 OPERATING TEMPERATURE: -40°C TO +85°C
 STORAGE TEMPERATURE: -55°C TO +105°C



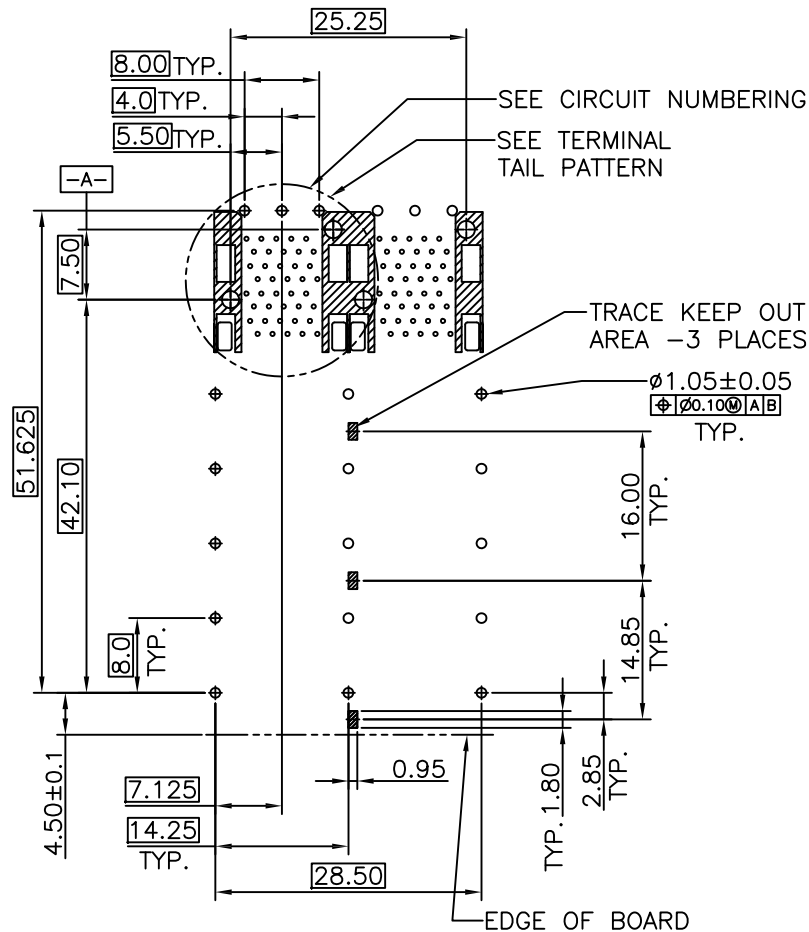
TITLE			LINK-PP INT'L TECHNOLOGY CO., LIMITED			
SFP+ 2X2 CAGE+CONNECTOR						
PART NO.			GENERAL TOLERANCE		UNIT:MM	SIZE: A4
LP22BC01301						
APPROVE	CHECK	DRAW	.X±0.20	.X±1'	SCALE: 1:1	SHEET:1/4
James	Kevin	Kevin	.XX±0.15	.XX±5'		
			.XXX±0.10			
						REV:A



CIRCUIT NUMBERING
COMPONENT SIDE OF BOARD



DETAIL A
CIRCUIT NUMBERING
AND LIGHTPIE INDENTIFICATION



RECOMMENDED PCB LAYOUT - COMPONENT SIDE
RECOMMENDED PCB THICKNESS : 2.36MM(.093 INCH)
(MINIMUM PCB THICKNESS : 1.57)

THE ENTIRE AREA OF THE CONNECTOR FOOTPRINT
TO BE CONSIDERED THE KEEP OUT AREA FOR COMPONENTS
THIS AREA IS INDICATED BY THE DASHED LINE

TITLE			LINK-PP INT'L TECHNOLOGY CO., LIMITED		
SFP+ 2X2 CAGE+CONNECTOR					
PART NO.			GENERAL TOLERANCE		UNIT:MM
LP22BC01301					SIZE: A4
APPROVE	CHECK	DRAW	.X±0.20	.X±1'	SCALE: 1:1
James	Kevin	Kevin	.XX±0.15	.XX±5'	
			.XXX±0.10		SHEET:2/4
					REV:A

1 2 3 4 5 6 7 8

H

H

G

G

F

F

E

E

D

D

C

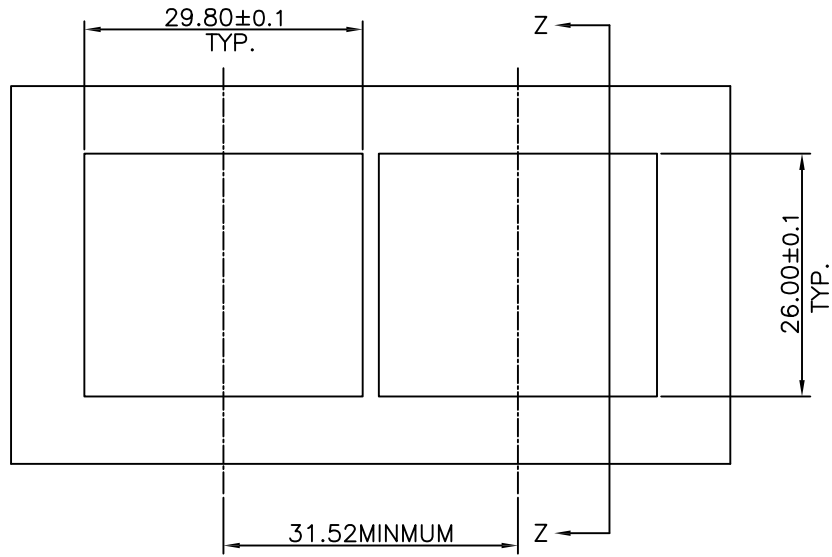
C

B

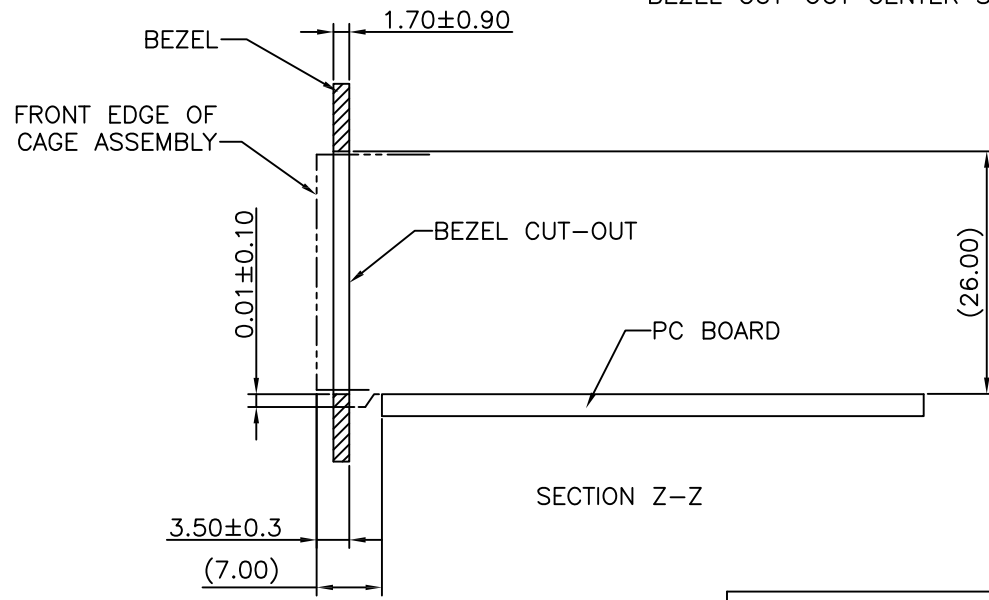
B

A

A



BEZEL CUT-OUT CENTER SPACING DETAIL



SECTION Z-Z



TITLE			SFP+ 2X2 CAGE+CONNECTOR		LINK-PP INT'L TECHNOLOGY CO., LIMITED			
PART NO.			LP22BC01301		GENERAL TOLERANCE		UNIT:MM	SIZE: A4
APPROVE	CHECK	DRAW	.X±0.20	.X±1'	SCALE: 1:1	SHEET:4/4	REV:A	
James	Kevin	Kevin	.XX±0.15	.XX±5'				
			.XXX±0.10					

1 2 3 4 5 6 7 8