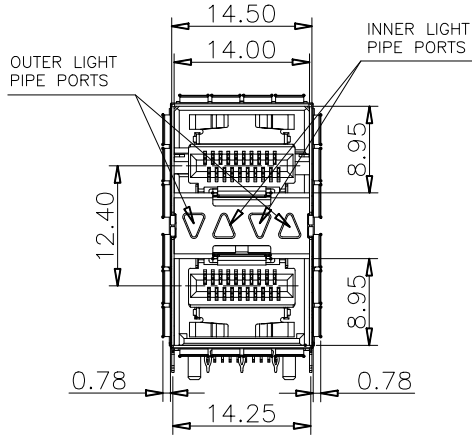


REV	DESCRIPTION OF CHANGE	REVIEWED BY	ISSUE DATE
A	FIRST ISSUE	LEO	2021-09-02

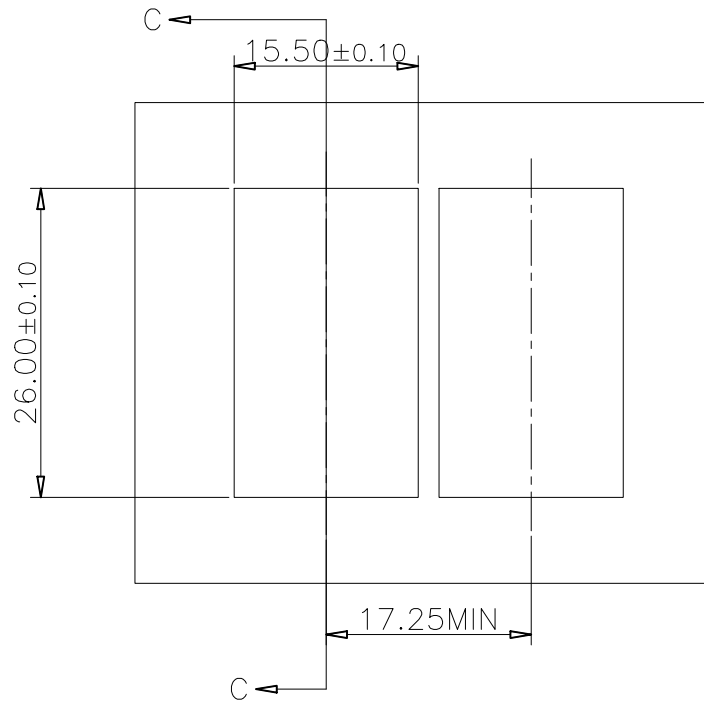


NOTES:

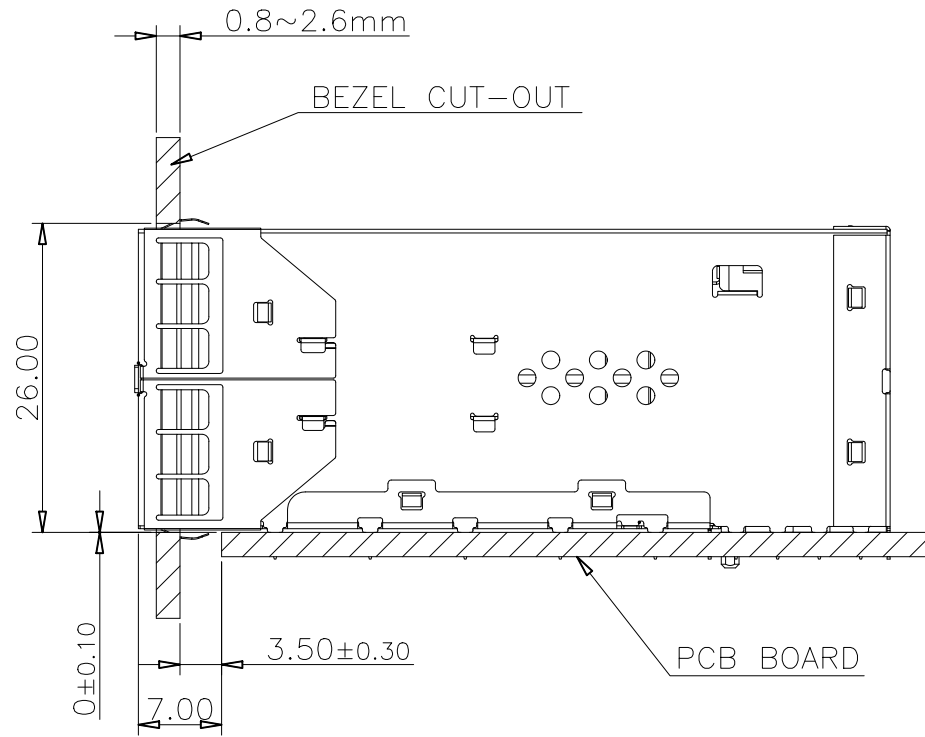
- MATERIAL:
- CAGE: COPPER ALLOY NI-PLATED, THICKNESS 0.25 MM
- CONNECTOR:
- PLASTIC HOUSING: HIGH TEMPERATURE LCP, UL94 V-0.
- SPRING: STAINLESS STEEL, THICKNESS 0.20mm
- LIGHT PIPE: POLYCARBONATE; COLOR: CLEAR
- CONTACTS: PHOSPHOR BRONZE, THICKNESS 0.20mm
- PLATING: 30 μ " MIN. GOLD ON MATING AREA,
150 μ " MIN. MATE TIN ON SOLDER TAILS.
- PACKAGING: TRAY PACKAGING.
- TEMPERATURE RANGE: -40°C TO +85°C



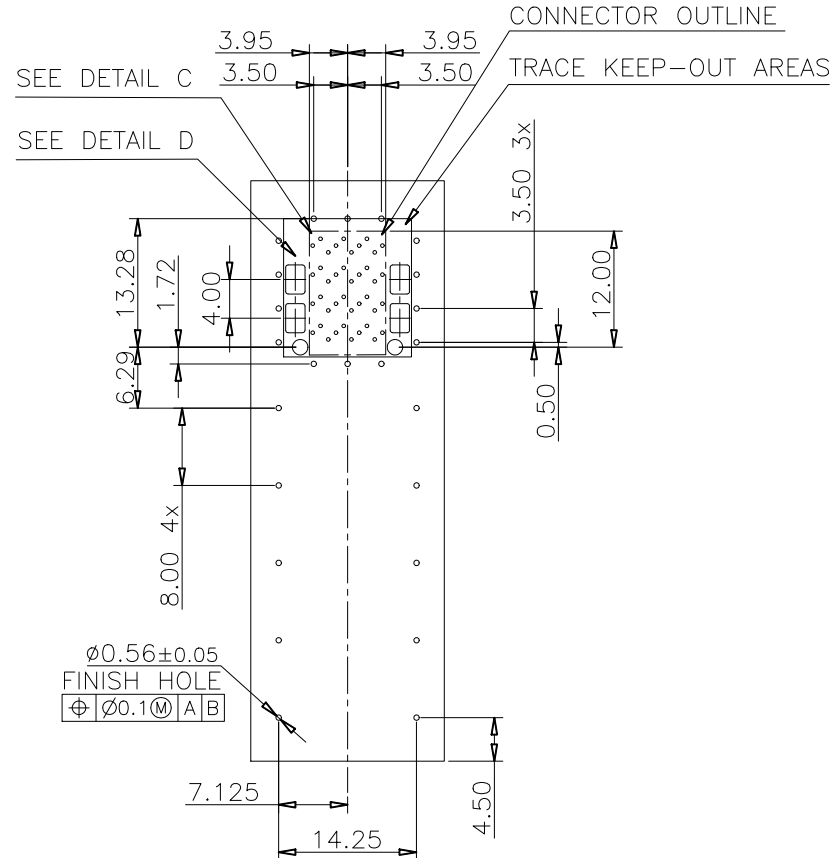
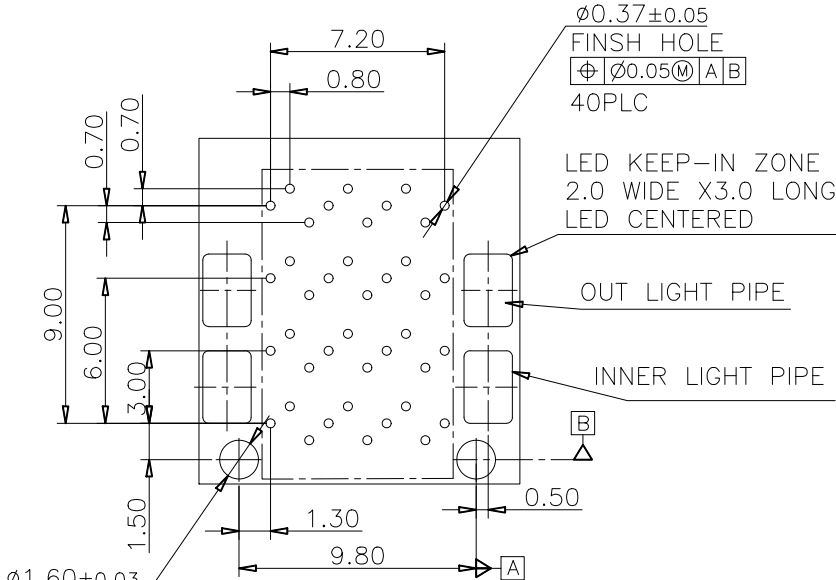
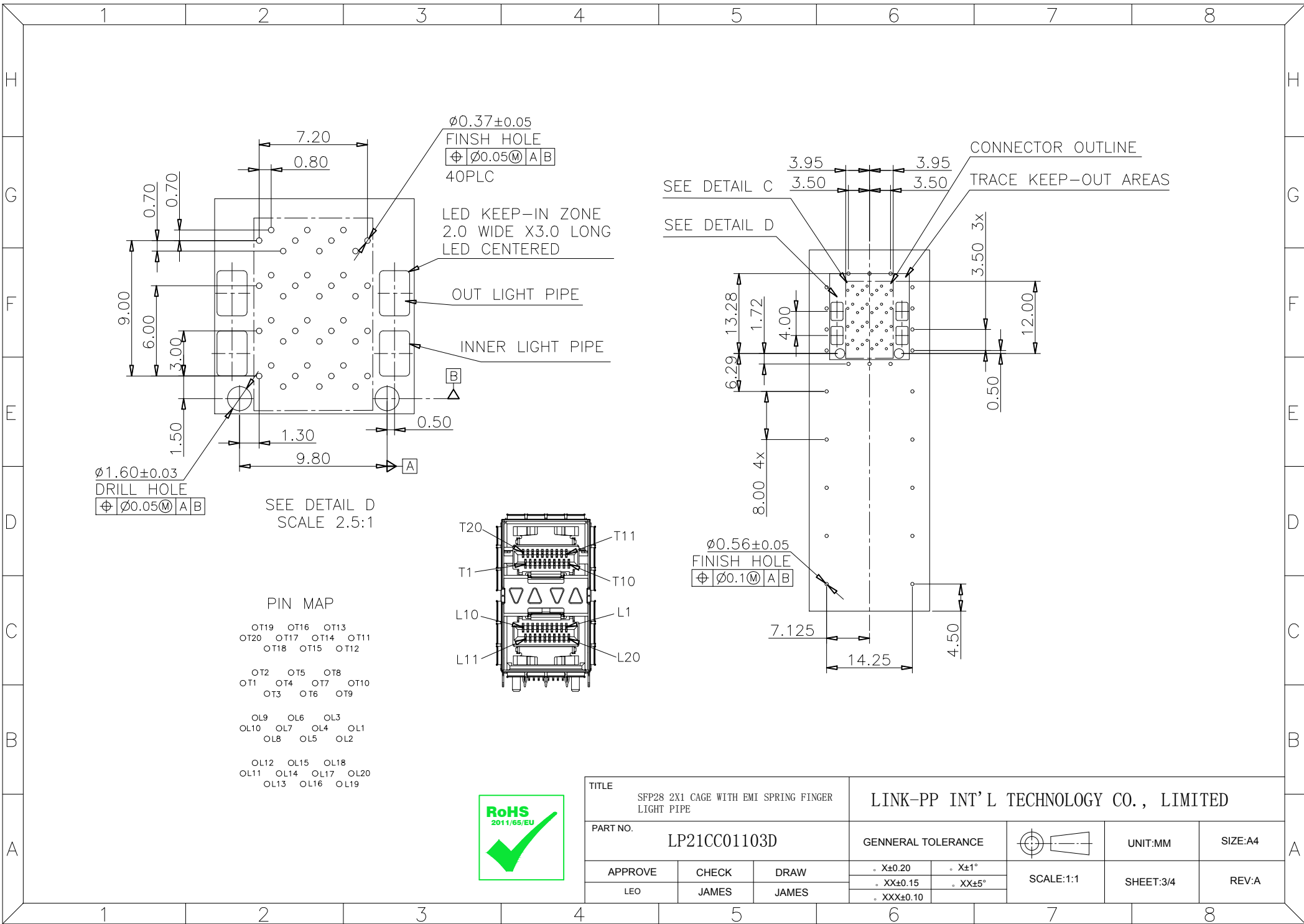
TITLE SFP28 2X1 CAGE WITH EMI SPRING FINGER LIGHT PIPE			LINK-PP INT'L TECHNOLOGY CO., LIMITED				
PART NO. LP21CC01103D			GENNERAL TOLERANCE			UNIT:MM	SIZE:A4
APPROVE	CHECK	DRAW	. X \pm 0.20	. X \pm 1°	SCALE:1:1	SHEET:1/4	REV:A
LEO	JAMES	JAMES	. XX \pm 0.15	. XX \pm 5°			
			. XXX \pm 0.10				



BEZEL CUT-OUT CENTER SPACING DETAIL
BEZEL THICKNESS:0.8-2.6



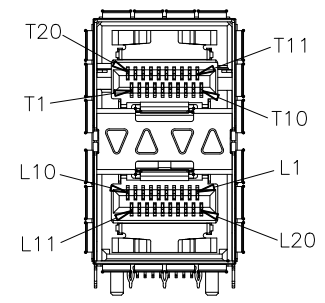
TITLE SFP28 2X1 CAGE WITH EMI SPRING FINGER LIGHT PIPE			LINK-PP INT'L TECHNOLOGY CO., LIMITED			
PART NO. LP21CC01103D			GENNERAL TOLERANCE		UNIT:MM	SIZE:A4
APPROVE	CHECK	DRAW	° X±0.20	° X±1°	SCALE:1:1	SHEET:2/4
LEO	JAMES	JAMES	° XX±0.15	° XX±5°		
			° XXX±0.10			



SEE DETAIL D
SCALE 2.5:1

PIN MAP

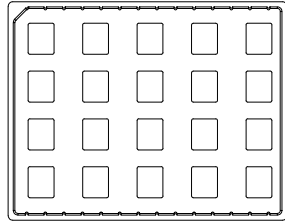
- | | | |
|------|------|------|
| OT19 | OT16 | OT13 |
| OT20 | OT17 | OT14 |
| OT18 | OT15 | OT12 |
| OT2 | OT5 | OT8 |
| OT1 | OT4 | OT7 |
| OT3 | OT6 | OT9 |
| OL9 | OL6 | OL3 |
| OL10 | OL7 | OL4 |
| OL8 | OL5 | OL2 |
| OL12 | OL15 | OL18 |
| OL11 | OL14 | OL17 |
| OL13 | OL16 | OL19 |



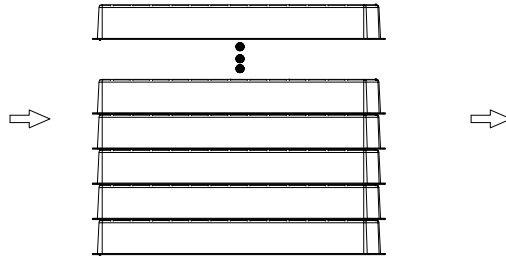
TITLE			LINK-PP INT'L TECHNOLOGY CO., LIMITED	
SFP28 2X1 CAGE WITH EMI SPRING FINGER LIGHT PIPE				
PART NO.			LP21CC01103D	
APPROVE			GENNERAL TOLERANCE	
LEO			$\cdot X \pm 0.20$ $\cdot XX \pm 0.15$ $\cdot XXX \pm 0.10$	
CHECK			$\cdot X \pm 1^\circ$ $\cdot XX \pm 5^\circ$	
DRAW			SCALE: 1:1	
JAMES			UNIT: MM	
			SHEET: 3/4	
			SIZE: A4	
			REV: A	



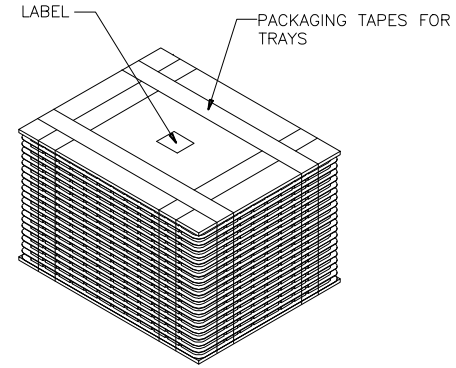
PACKAGE INFORMATION AND LABEL



1. 20PCS PRODUCTS IN TRAYS

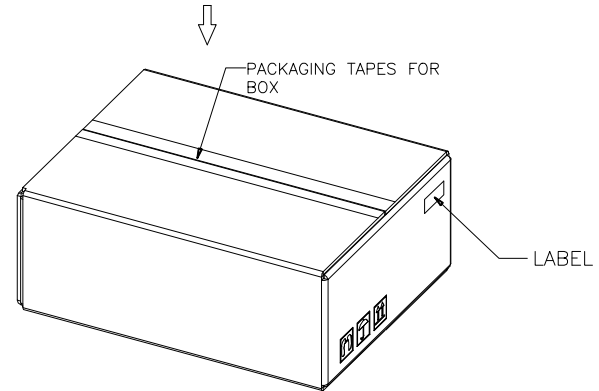


2. TRAYS OVERLAY:
(THE NEXT TRAY NEED ROTATE 180 DEGREE AND PUT IT ON PREVIOUS TRAY.)



3. LABEL & PACKAGING TAPES FOR TRAYS:

PACKAGING LISTS	
ITEM	Q'TY
PRODUCT	120 PCS
TRAY	6 PCS
BOX(L340*W265*H200MM)	1 PCS
LABLE	2 PCS
PACKAGING TAPES	8 M (ABOUT)



4. LABEL & PACKAGING TAPES FOR BOX



TITLE SFP28 2X1 CAGE WITH EMI SPRING FINGER LIGHT PIPE			LINK-PP INT'L TECHNOLOGY CO., LIMITED			
PART NO. LP21CC01103D			GENNERAL TOLERANCE		UNIT:MM	SIZE:A4
APPROVE	CHECK	DRAW	° X±0.20	° X±1°	SCALE:1:1	SHEET:4/4
LEO	JAMES	JAMES	° XX±0.15	° XX±5°		
			° XXX±0.10			