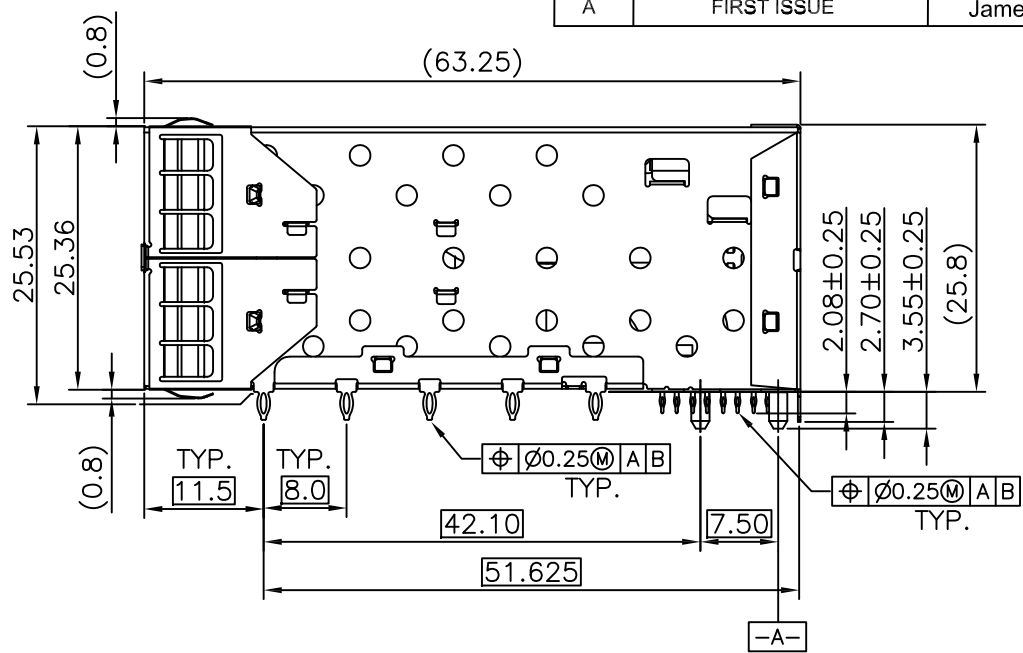
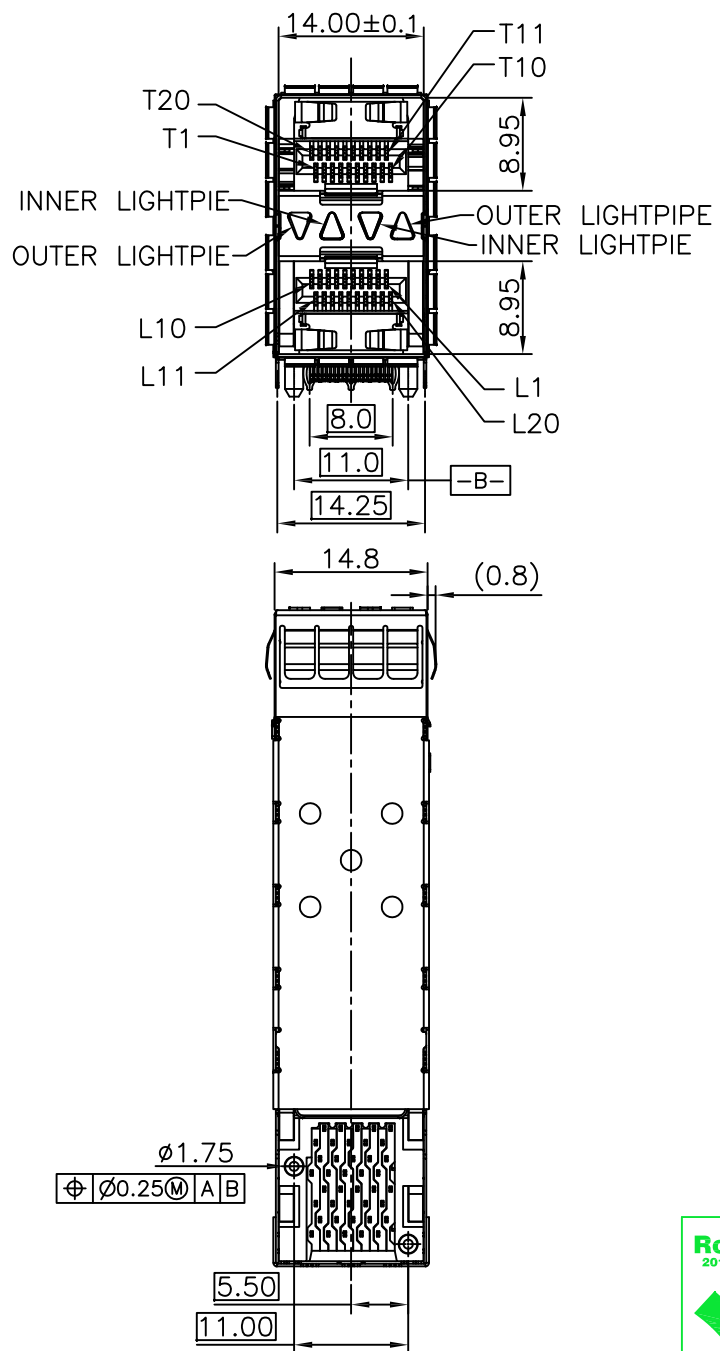


REV	DESCRIPTION OF CHANGE	REVIEWED BY	ISSUE DATE
A	FIRST ISSUE	James	2021-08-01

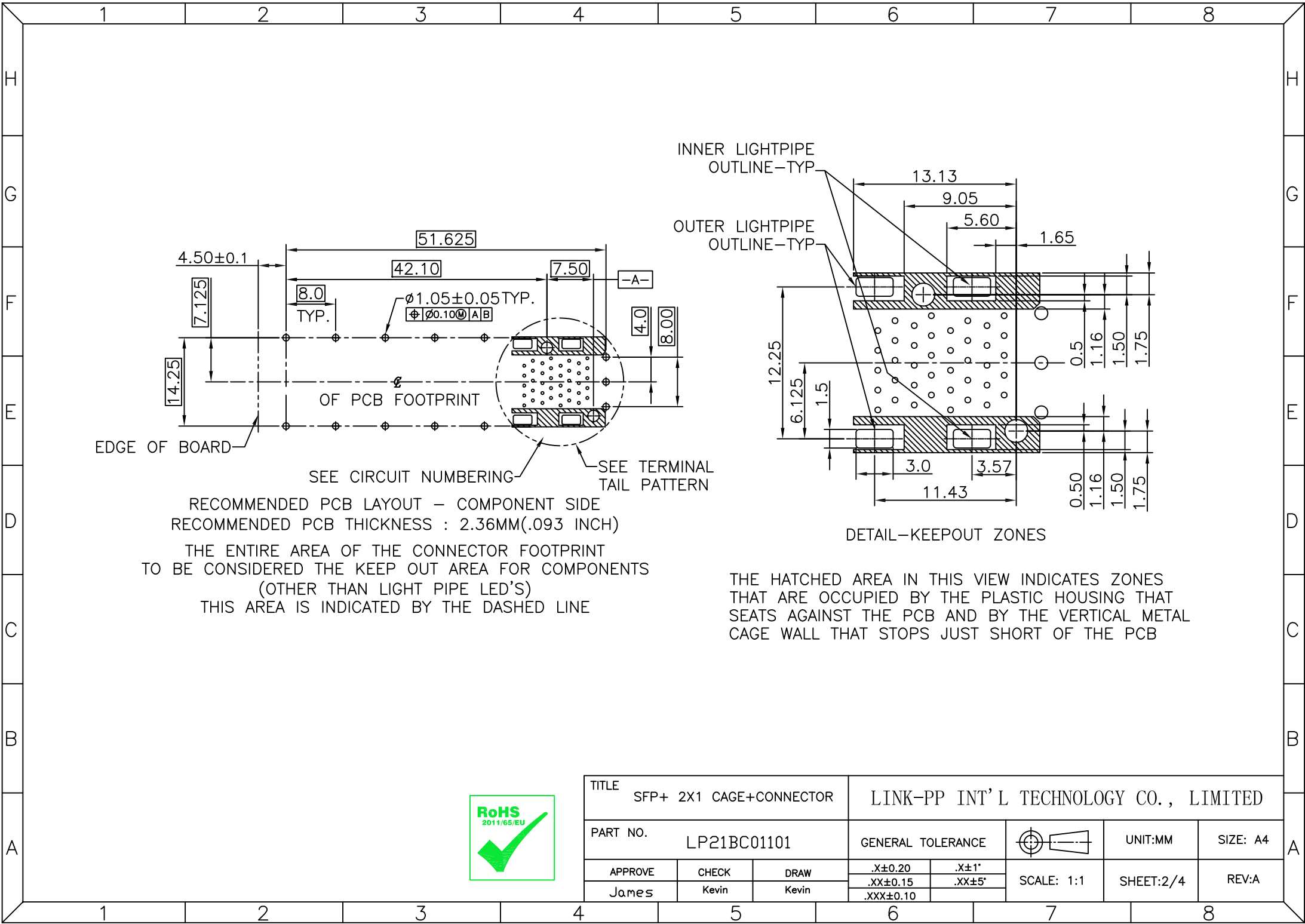


NOTES:

- MATERIAL:  
 CAGE: COPPER ALLOY 30u" MIN NI-PLATED, THICKNESS 0.25 MM  
 CONNECTOR:  
 PLASTIC HOUSING: HIGH TEMPERATURE LCP, UL94 V-0.  
 LIGHT PIPE: POLYCARBONATE; COLOR: CLEAR  
 SPRING: STAINLESS STEEL, THICKNESS 0.20mm  
 CONTACTS: PHOSPHOR BRONZE, THICKNESS 0.20mm  
 PLATING: 15µ" MIN. GOLD ON MATING AREA,  
 150µ" MIN. MATE TIN ON SOLDER TAILS.  
 PACKAGING: TRAY PACKAGING.  
 TEMPERATURE RANGE: -40°C TO +85°C  
 STORAGE TEMPERATURE: -55°C TO +105°C



TITLE			LINK-PP INT'L TECHNOLOGY CO., LIMITED		
SFP+ 2X1 CAGE+CONNECTOR					
PART NO.			GENERAL TOLERANCE		UNIT:MM
LP21BC01101					SIZE: A4
APPROVE	CHECK	DRAW	.X±0.20	.X±1'	SCALE: 1:1
James	Kevin	Kevin	.XX±0.15	.XX±5'	
			.XXX±0.10		
			SHEET:1/4		REV:A

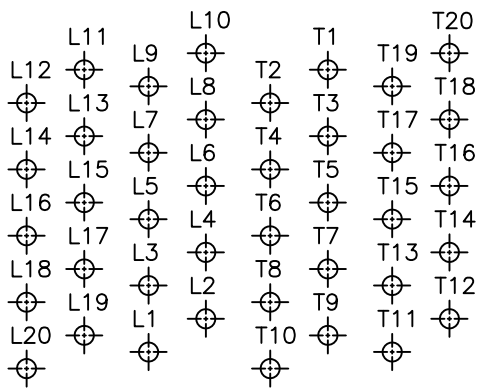


RECOMMENDED PCB LAYOUT – COMPONENT SIDE  
 RECOMMENDED PCB THICKNESS : 2.36MM(.093 INCH)  
 THE ENTIRE AREA OF THE CONNECTOR FOOTPRINT  
 TO BE CONSIDERED THE KEEP OUT AREA FOR COMPONENTS  
 (OTHER THAN LIGHT PIPE LED'S)  
 THIS AREA IS INDICATED BY THE DASHED LINE

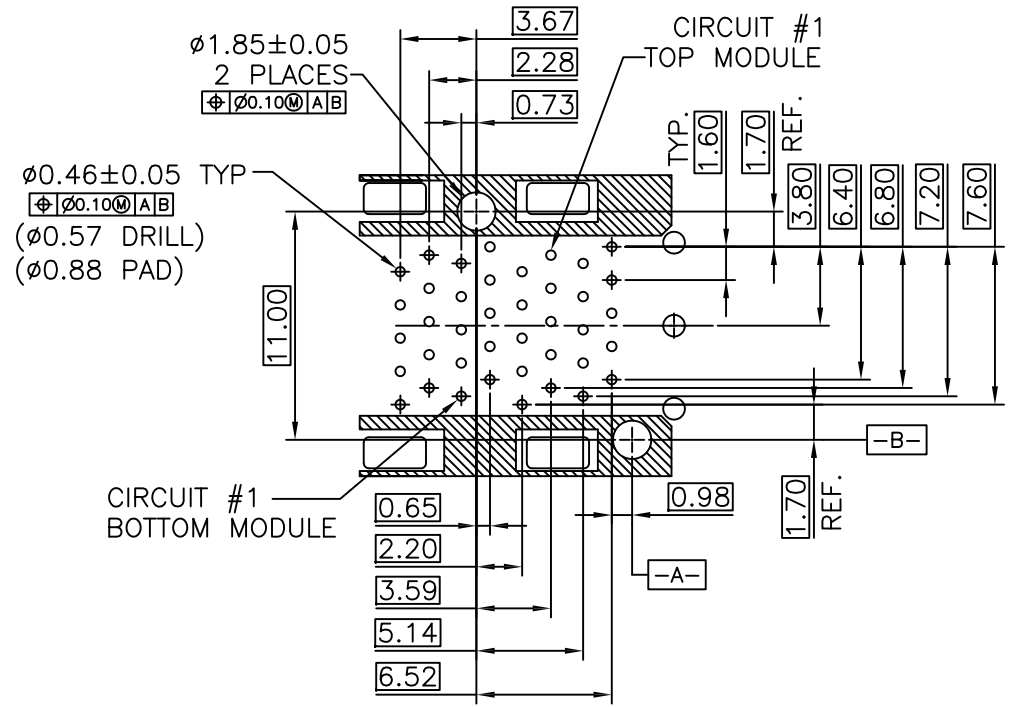
THE HATCHED AREA IN THIS VIEW INDICATES ZONES  
 THAT ARE OCCUPIED BY THE PLASTIC HOUSING THAT  
 SEATS AGAINST THE PCB AND BY THE VERTICAL METAL  
 CAGE WALL THAT STOPS JUST SHORT OF THE PCB



TITLE			LINK-PP INT'L TECHNOLOGY CO., LIMITED		
SFP+ 2X1 CAGE+CONNECTOR			LP21BC01101		
PART NO.			GENERAL TOLERANCE		UNIT:MM
APPROVE			DRAW		SCALE: 1:1
CHECK			DRAW		SHEET:2/4
DRAW			DRAW		SIZE: A4
James			Kevin		REV:A



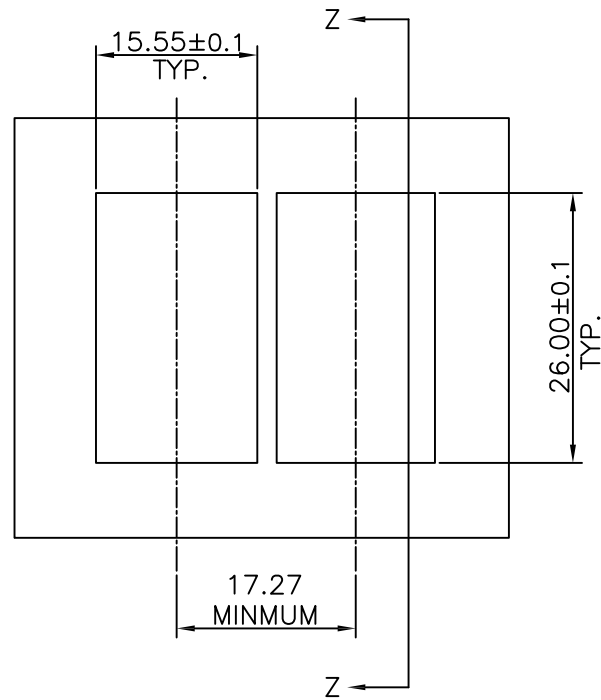
CIRCUIT NUMBERING  
COMPONENT SIDE OF BOARD



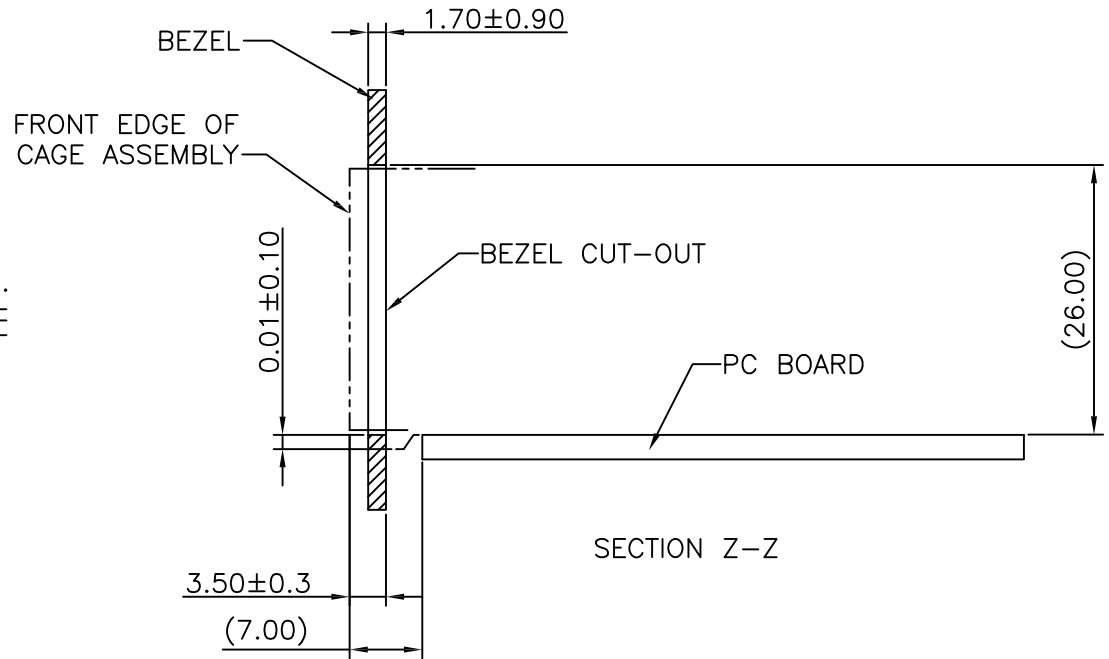
TERMINAL TAIL PATTERN



TITLE			LINK-PP INT'L TECHNOLOGY CO., LIMITED		
SFP+ 2X1 CAGE+CONNECTOR					
PART NO.			GENERAL TOLERANCE		UNIT:MM
LP21BC01101					SIZE: A4
APPROVE	CHECK	DRAW	.X±0.20	.X±1'	SCALE: 1:1
James	Kevin	Kevin	.XX±0.15	.XX±5'	
			.XXX±0.10		
			SHEET:3/4		REV:A



BEZEL CUT-OUT CENTER SPACING DETAIL



TITLE			LINK-PP INT'L TECHNOLOGY CO., LIMITED		
SFP+ 2X1 CAGE+CONNECTOR					
PART NO.			GENERAL TOLERANCE		UNIT:MM
LP21BC01101					SIZE: A4
APPROVE	CHECK	DRAW	.X±0.20	.X±1'	SCALE: 1:1
James	Kevin	Kevin	.XX±0.15	.XX±5'	
			.XXX±0.10		
			SHEET:4/4		REV:A