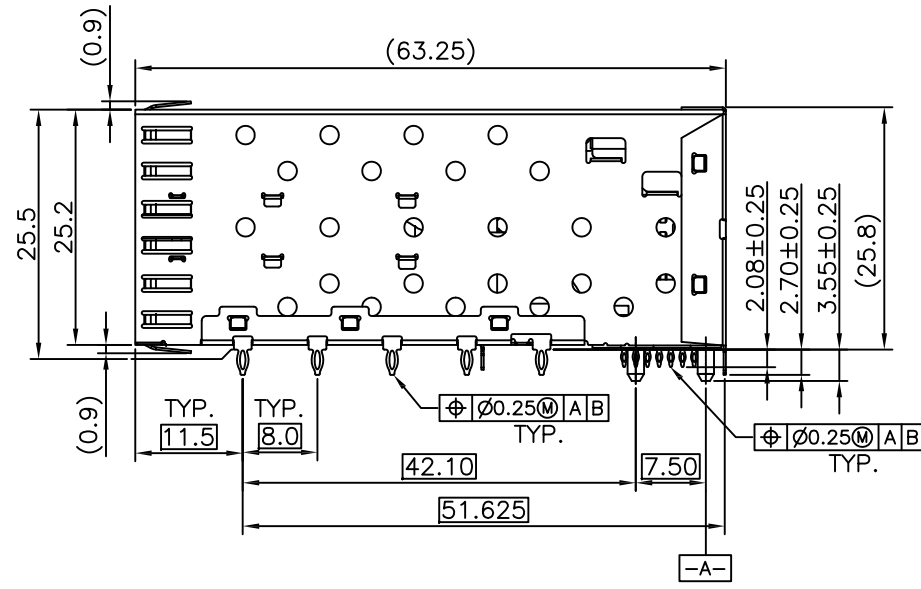
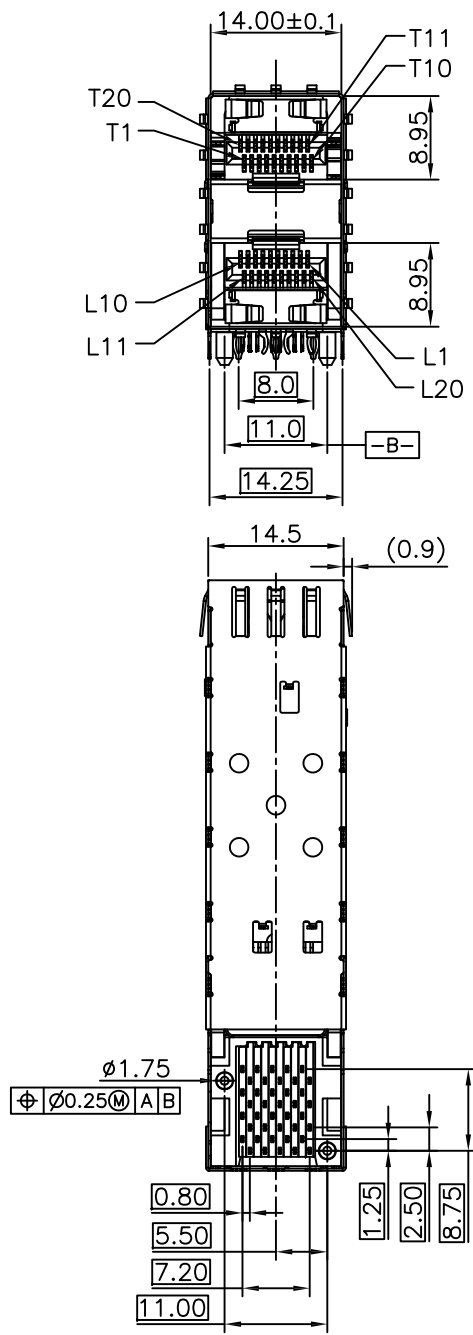


REV	DESCRIPTION OF CHANGE	REVIEWED BY	ISSUE DATE
A	FIRST ISSUE	James	2021-08-01

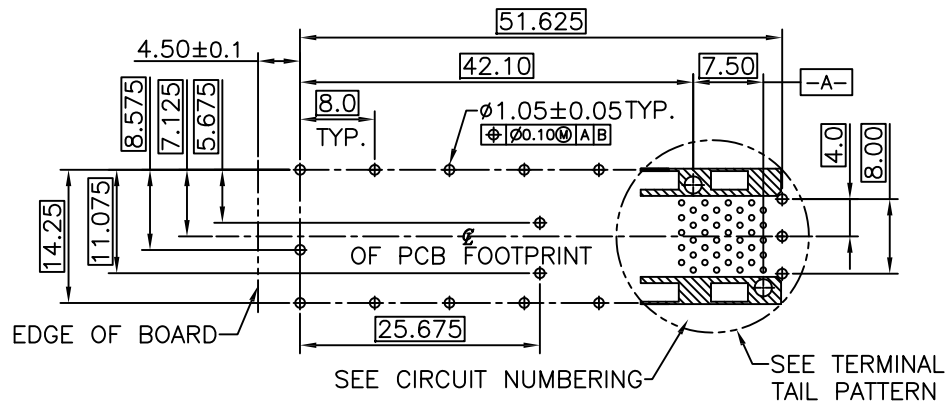


NOTES:

- MATERIAL:
- CAGE: COPPER ALLOY 30u" MIN NI-PLATED, THICKNESS 0.25 MM
- CONNECTOR:
- PLASTIC HOUSING: HIGH TEMPERATURE LCP, UL94 V-0.
- SPRING: STAINLESS STEEL, THICKNESS 0.20mm
- CONTACTS: PHOSPHOR BRONZE, THICKNESS 0.20mm
- PLATING: 15µ" MIN. GOLD ON MATING AREA,
150µ" MIN. MATE TIN ON SOLDER TAILS.
- PACKAGING: TRAY PACKAGING.
- TEMPERATURE RANGE: -40°C TO +85°C
- STORAGE TEMPERATURE: -55°C TO +105°C

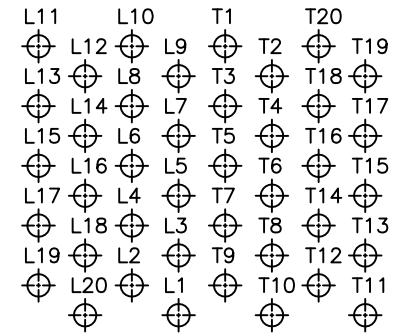


TITLE			LINK-PP INT'L TECHNOLOGY CO., LIMITED		
SFP 2X1 CAGE+CONNECTOR					
PART NO.			GENERAL TOLERANCE		UNIT:MM
LP21AC02001					SIZE: A4
APPROVE	CHECK	DRAW	.X±0.20	.X±1'	SCALE: 1:1
James	Kevin	Kevin	.XX±0.15	.XX±5'	
			.XXX±0.10		
			SHEET:1/3		REV:A

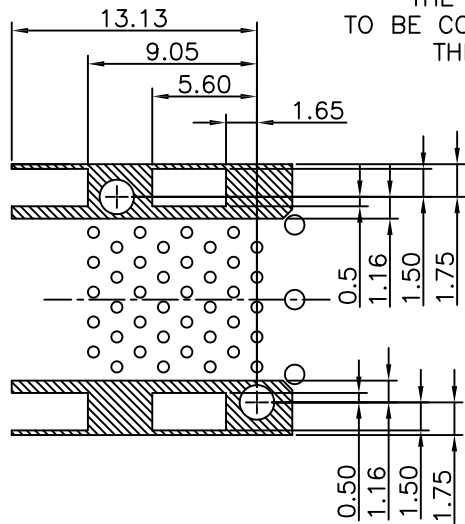


RECOMMENDED PCB LAYOUT – COMPONENT SIDE
 RECOMMENDED PCB THICKNESS : 2.36MM(.093 INCH)
 (MINIMUM PCB THICKNESS : 1.57)

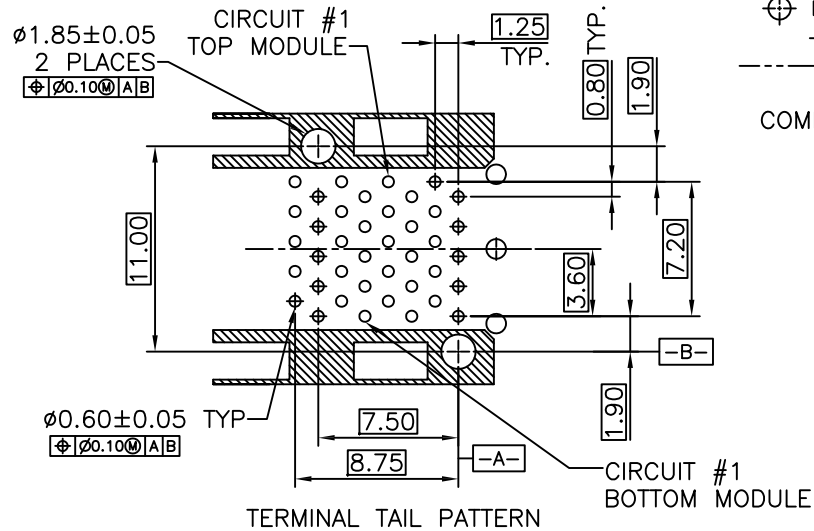
THE ENTIRE AREA OF THE CONNECTOR FOOTPRINT
 TO BE CONSIDERED THE KEEP OUT AREA FOR COMPONENTS
 THIS AREA IS INDICATED BY THE DASHED LINE



CIRCUIT NUMBERING
 COMPONENT SIDE OF BOARD



DETAIL-KEEPOUT ZONES

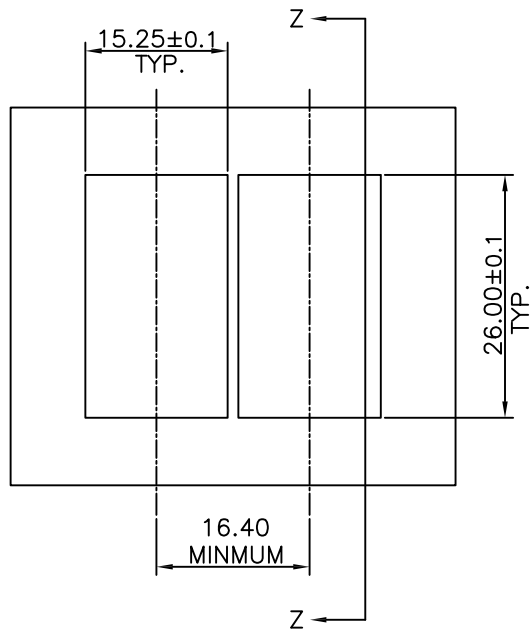


TERMINAL TAIL PATTERN

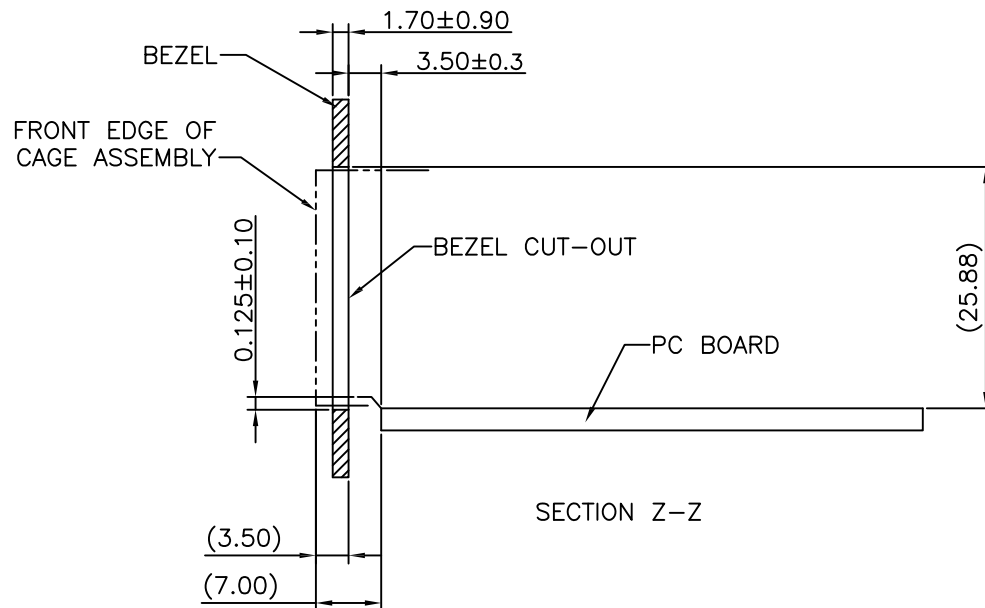
THE HATCHED AREA IN THIS VIEW INDICATES ZONES
 THAT ARE OCCUPIED BY THE PLASTIC HOUSING THAT
 SEATS AGAINST THE PCB AND BY THE VERTICAL METAL
 CAGE WALL THAT STOPS JUST SHORT OF THE PCB



TITLE			SFP 2X1 CAGE+CONNECTOR		LINK-PP INT'L TECHNOLOGY CO., LIMITED			
PART NO.			LP21AC02001		GENERAL TOLERANCE		UNIT:MM	SIZE: A4
APPROVE	CHECK	DRAW	.X±0.20	.X±1'	SCALE: 1:1	SHEET:2/3	REV:A	
James	Kevin	Kevin	.XX±0.15	.XX±5'				
			.XXX±0.10					



BEZEL CUT-OUT CENTER SPACING DETAIL



SECTION Z-Z



TITLE			LINK-PP INT'L TECHNOLOGY CO., LIMITED		
SFP 2X1 CAGE+CONNECTOR					
PART NO.			GENERAL TOLERANCE		UNIT:MM
LP21AC02001					SIZE: A4
APPROVE	CHECK	DRAW	.X±0.20	.X±1'	SCALE: 1:1
James	Kevin	Kevin	.XX±0.15	.XX±5'	
			.XXX±0.10		
					SHEET:3/3
					REV:A