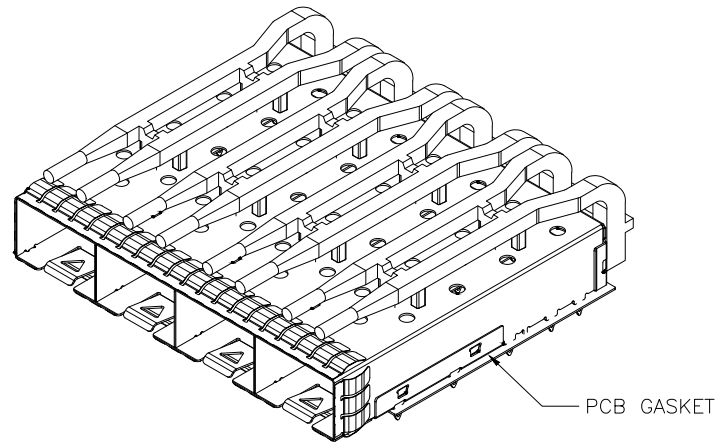
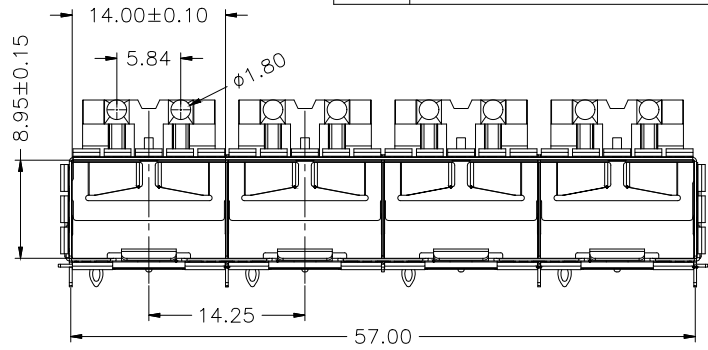
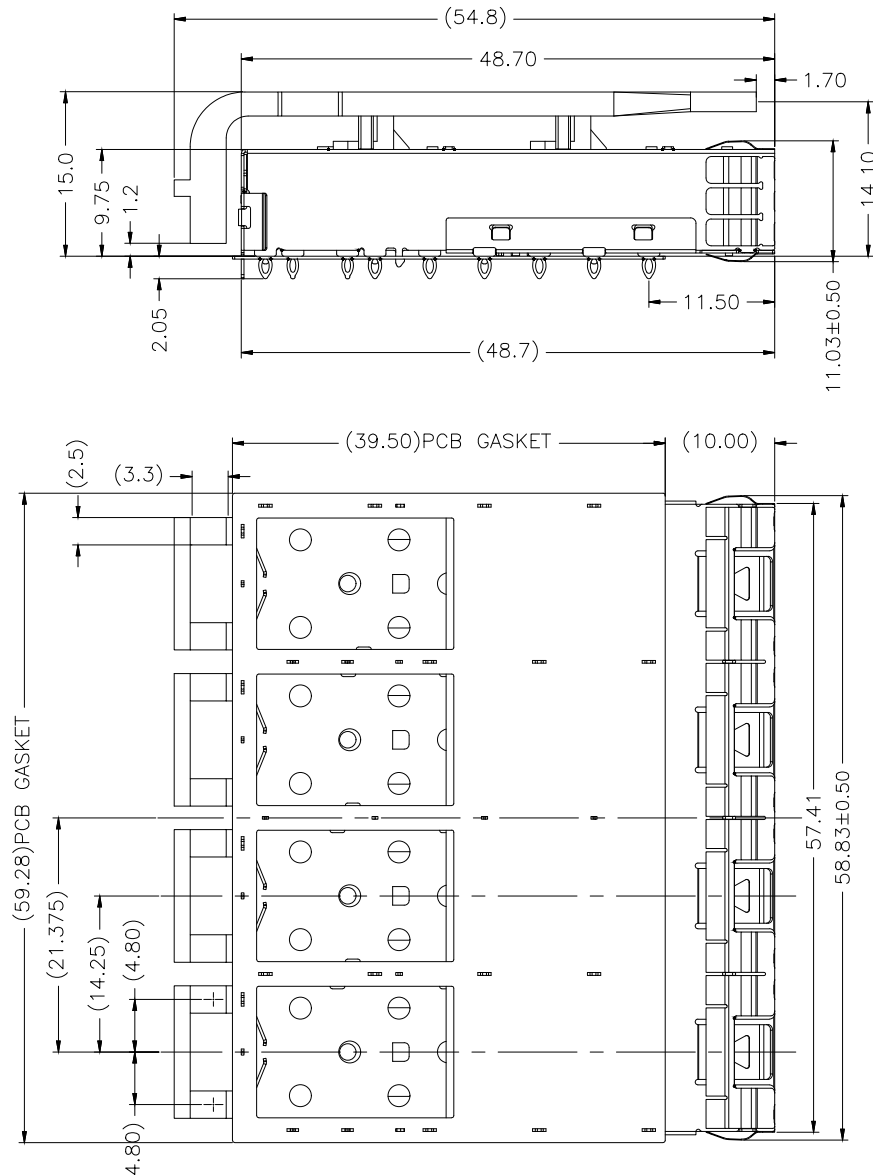


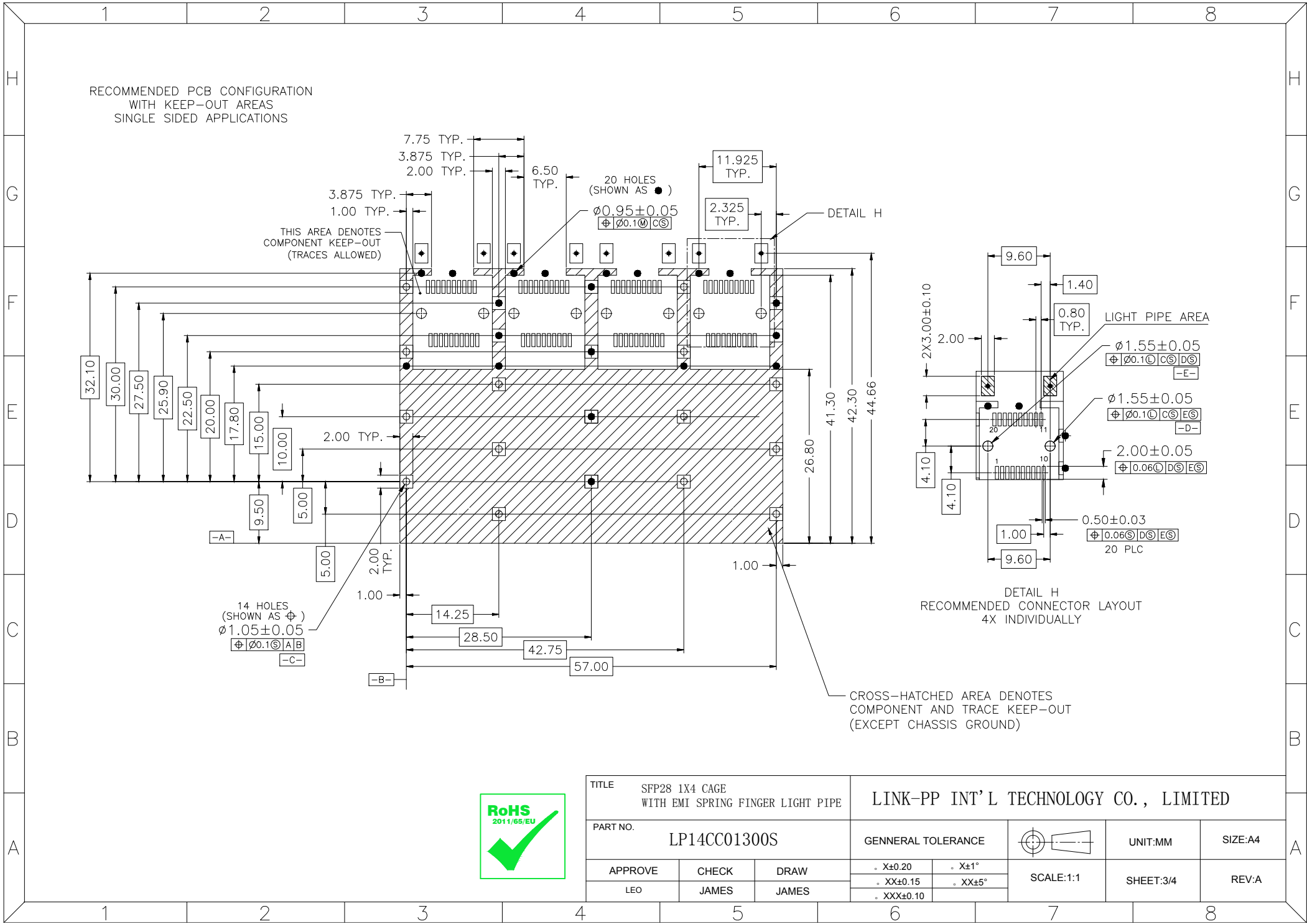
REV	DESCRIPTION OF CHANGE	REVIEWED BY	ISSUE DATE
A	FIRST ISSUE	LEO	2021-10-02



- NOTES:
 1.MATERIAL:
 CAGE: COPPER ALLOY,NI PLATING,THICKNESS 0.25mm
 PCB GASKET: RF ABSORBER
 MIDDLE CAGE: STAINLESS STEEL
 LIGHT PIPE: CLEAR POLYCARBONATE
 2.PACKAGING: TRAY PACKAGING
 3.TEMPERATURE RANGE:
 OPERATING : -40°C TO +85°C
 NON OPERATING : -55°C TO +105°C

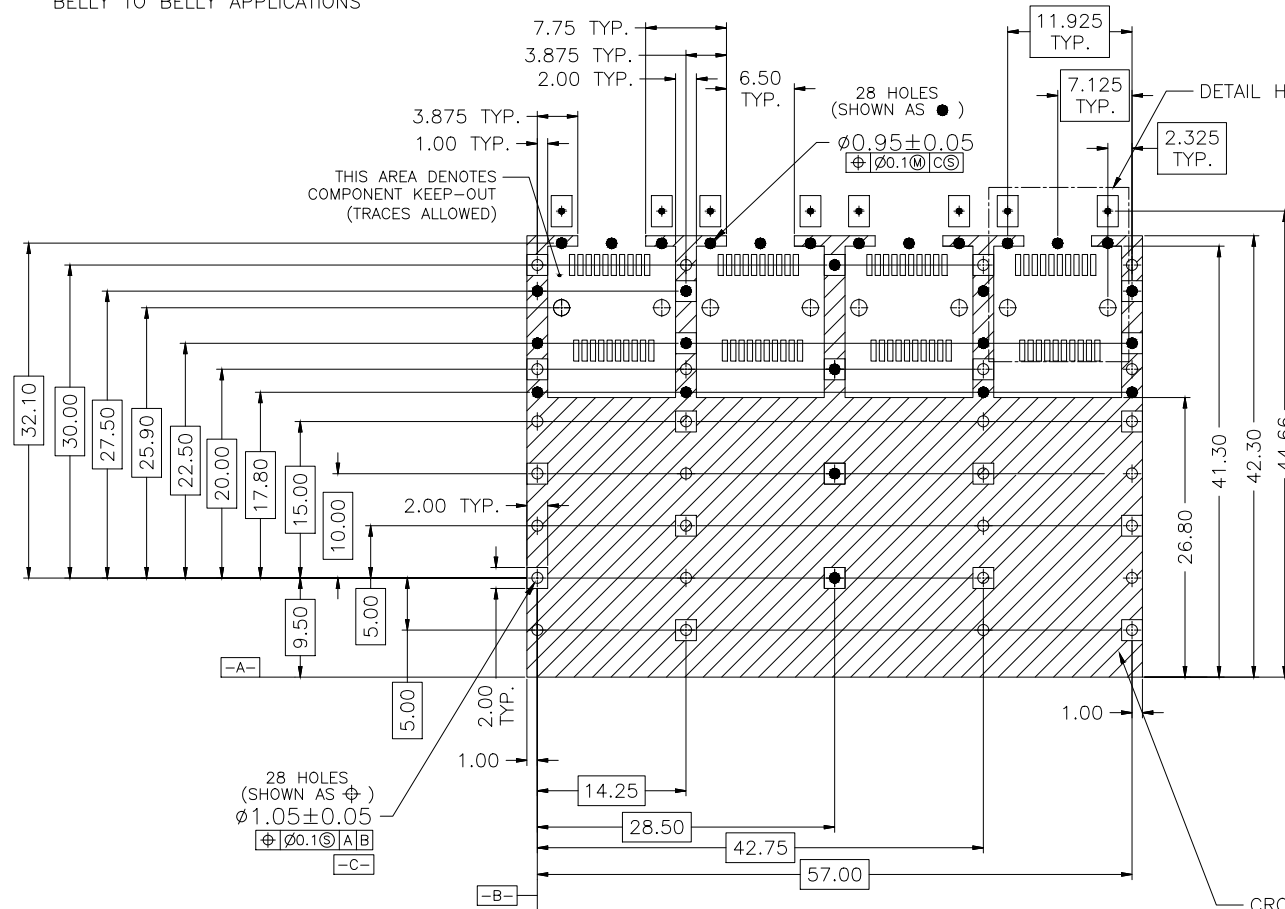


TITLE			SFP28 1X4 CAGE WITH EMI SPRING FINGER LIGHT PIPE		LINK-PP INT'L TECHNOLOGY CO., LIMITED			
PART NO.			LP14CC01300S		GENNERAL TOLERANCE		UNIT:MM	SIZE:A4
APPROVE	CHECK	DRAW	. X±0.20	. X±1°	SCALE:1:1	SHEET:1/4	REV:A	
LEO	JAMES	JAMES	. XX±0.15	. XX±5°				
			. XXX±0.10					



TITLE			SFP28 1X4 CAGE WITH EMI SPRING FINGER LIGHT PIPE		LINK-PP INT'L TECHNOLOGY CO., LIMITED			
PART NO.			LP14CC01300S		GENNERAL TOLERANCE		UNIT:MM	SIZE:A4
APPROVE	CHECK	DRAW	. X±0.20	. X±1°	SCALE:1:1	SHEET:3/4	REV:A	
LEO	JAMES	JAMES	. XX±0.15	. XX±5°				
			. XXX±0.10					

RECOMMENDED PCB CONFIGURATION
WITH KEEP-OUT AREAS
BELLY TO BELLY APPLICATIONS

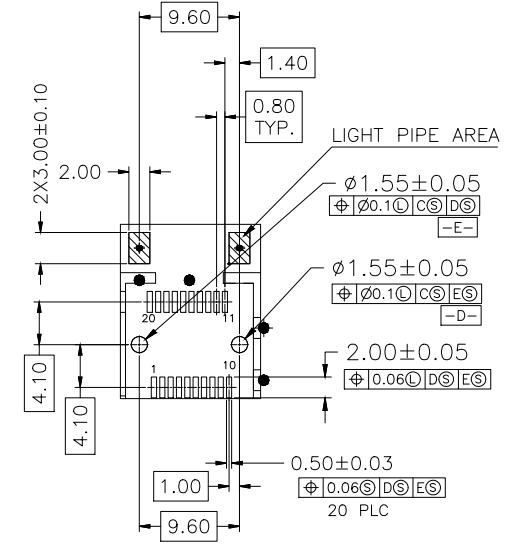


THIS AREA DENOTES
COMPONENT KEEP-OUT
(TRACES ALLOWED)

28 HOLES
(SHOWN AS ●)

$\phi 0.95 \pm 0.05$
 $\phi \pm 0.1 \text{ (C) (S)}$

28 HOLES
(SHOWN AS ϕ)
 $\phi 1.05 \pm 0.05$
 $\phi \pm 0.1 \text{ (A) (B)}$

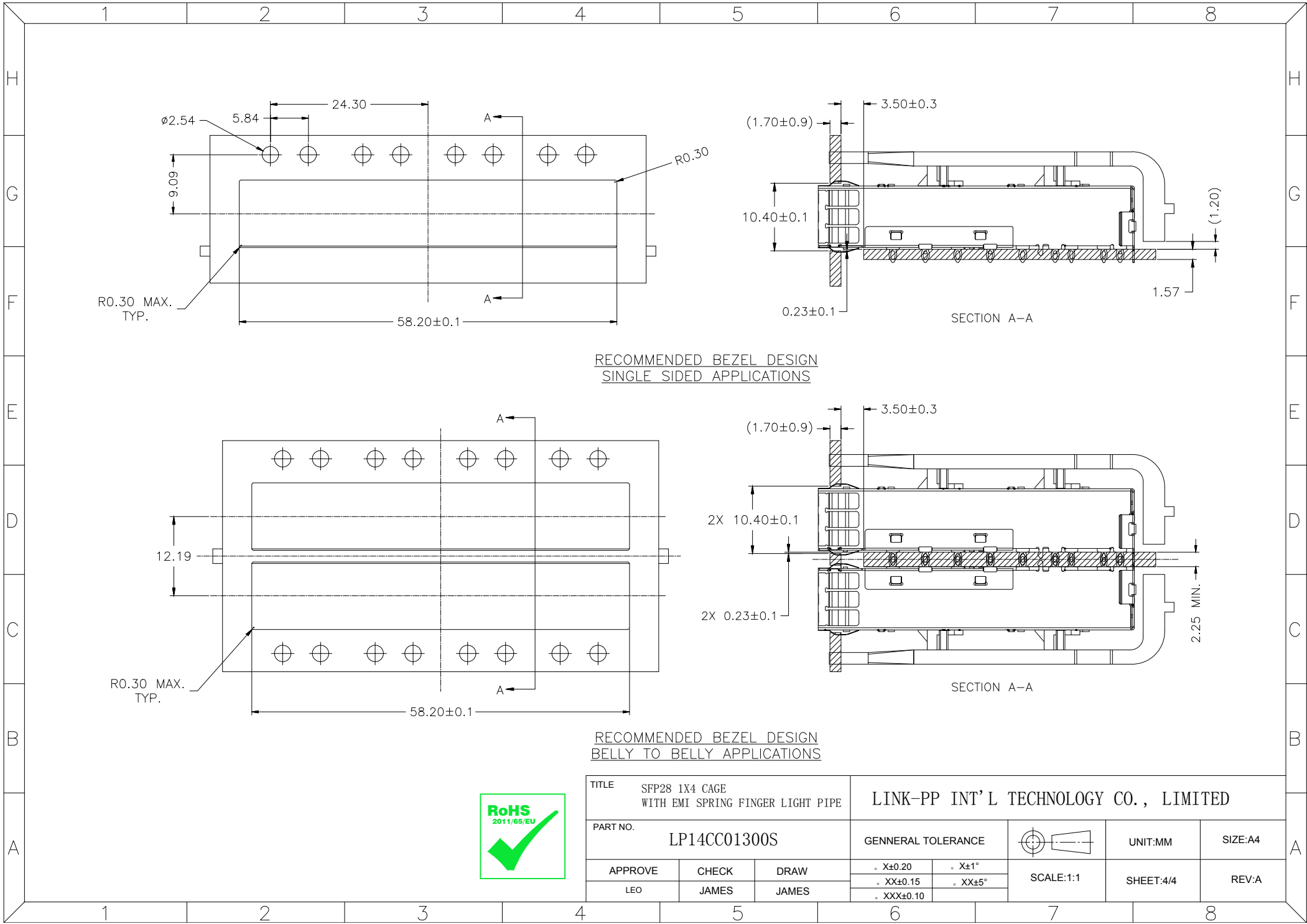


DETAIL H
RECOMMENDED CONNECTOR LAYOUT
8X INDIVIDUALLY

CROSS-HATCHED AREA DENOTES
COMPONENT AND TRACE KEEP-OUT
(EXCEPT CHASSIS GROUND)



TITLE SFP28 1X4 CAGE WITH EMI SPRING FINGER LIGHT PIPE			LINK-PP INT'L TECHNOLOGY CO., LIMITED		
PART NO. LP14CC01300S			GENNERAL TOLERANCE		UNIT:MM SIZE:A4
APPROVE	CHECK	DRAW	. X±0.20	. X±1°	SCALE:1:1 SHEET:3/4 REV:A
LEO	JAMES	JAMES	. XX±0.15	. XX±5°	
			. XXX±0.10		



RECOMMENDED BEZEL DESIGN
SINGLE SIDED APPLICATIONS

RECOMMENDED BEZEL DESIGN
BELLY TO BELLY APPLICATIONS



TITLE SFP28 1X4 CAGE WITH EMI SPRING FINGER LIGHT PIPE			LINK-PP INT'L TECHNOLOGY CO., LIMITED		
PART NO. LP14CC01300S			GENNERAL TOLERANCE		UNIT:MM
APPROVE	CHECK	DRAW	• X±0.20	• X±1°	SIZE:A4
LEO	JAMES	JAMES	• XX±0.15	• XX±5°	SHEET:4/4
			• XXX±0.10		REV:A

SCALE:1:1