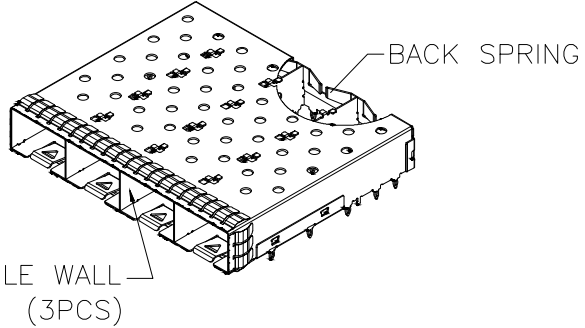
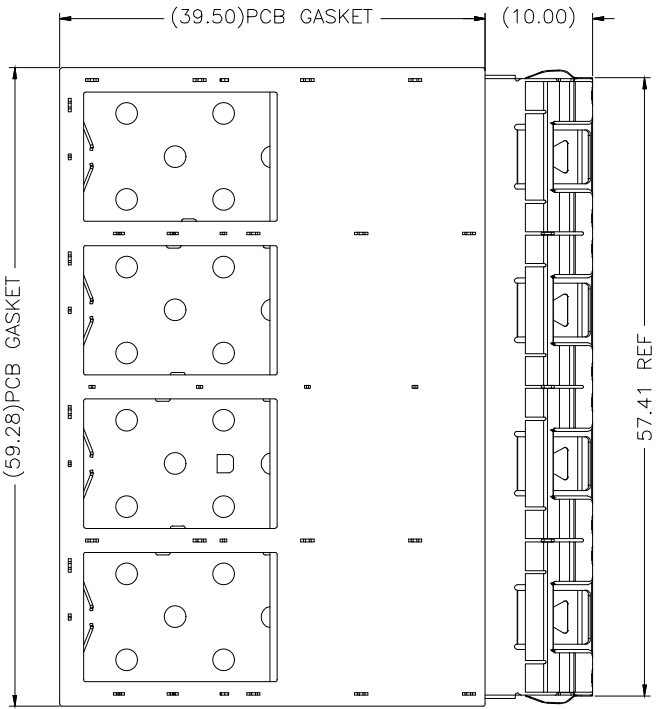
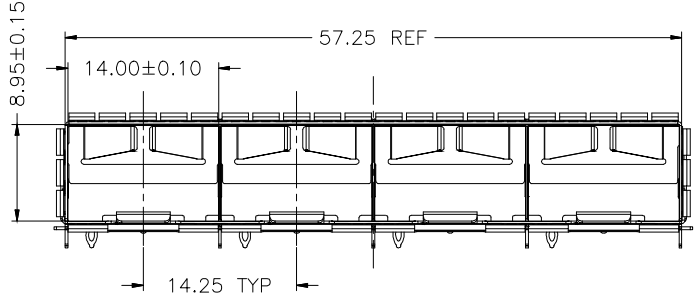
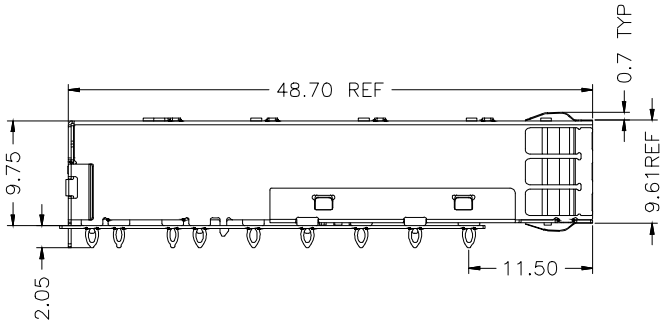


REV	DESCRIPTION OF CHANGE	REVIEWED BY	ISSUE DATE
A	FIRST ISSUE	LEO	2021-09-24



NOTES:

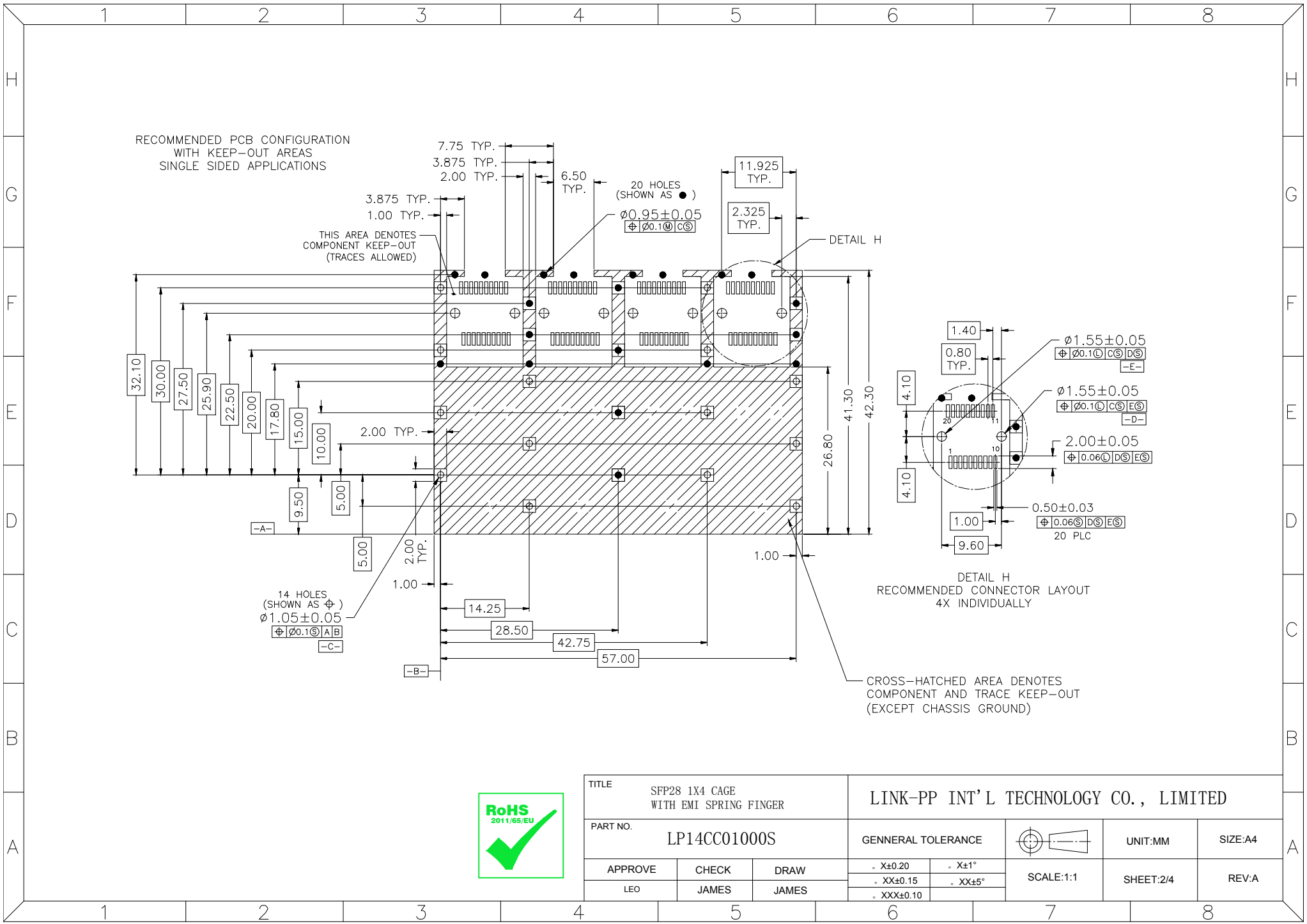
MATERIAL:  
 CAGE: COPPER ALLOY C7701, 20u" MIN NI-PLATED, THICKNESS 0.25 MM  
 MIDDLE WALL: STAINLESS STEEL SUS304, 20u" MIN NI-PLATED, THICKNESS 0.25mm  
 BACK SPRING: STAINLESS STEEL SUS304, THICKNESS 0.25mm

PACKAGING: TRAY PACKAGING.

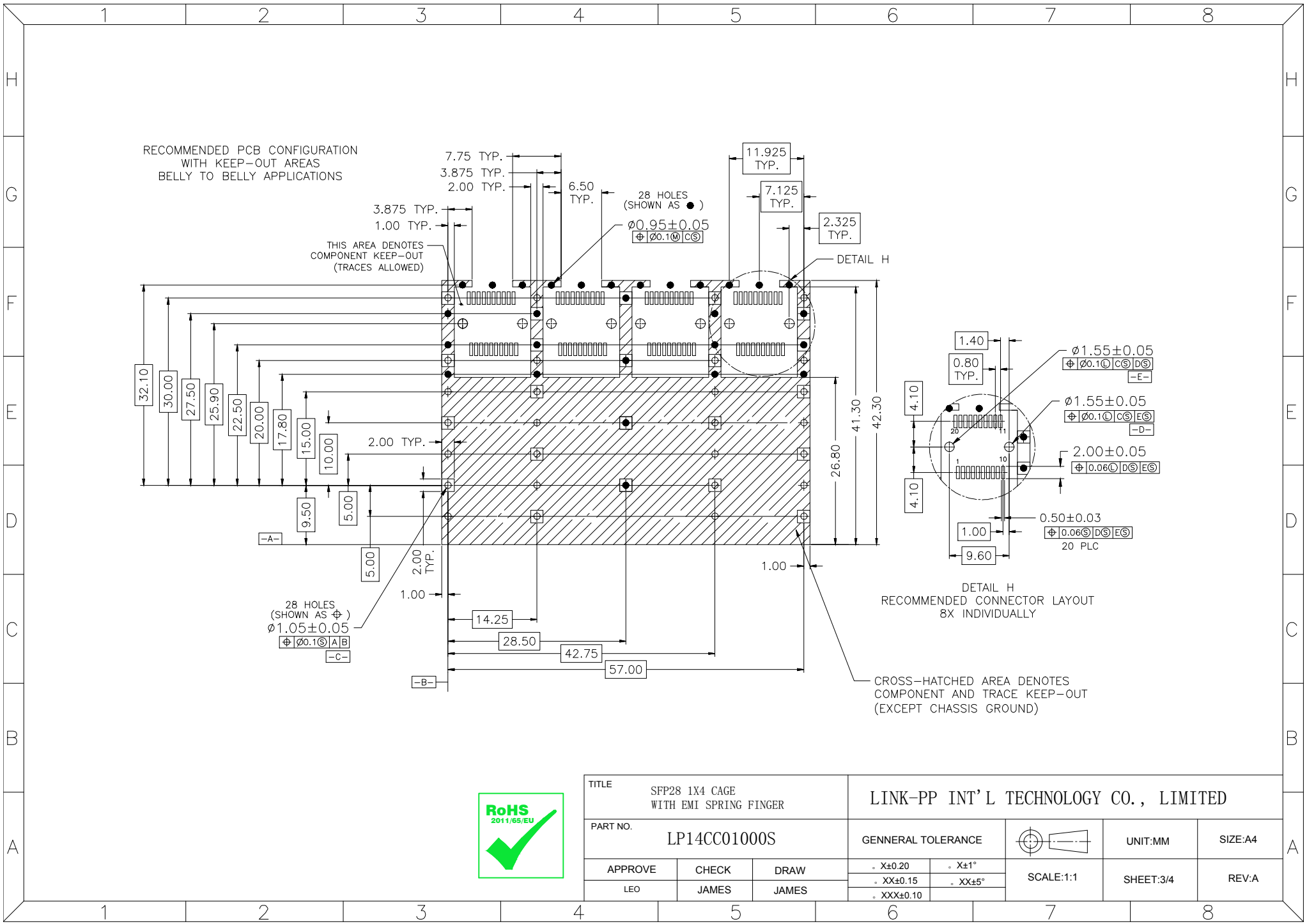
OPERATING TEMPERATURE: -40°C TO +85°C  
 STORAGE TEMPERATURE: -55°C TO +105°C



TITLE SFP28 1X4 CAGE WITH EMI SPRING FINGER			LINK-PP INT'L TECHNOLOGY CO., LIMITED				
PART NO. LP14CC01000S			GENNERAL TOLERANCE			UNIT:MM	SIZE:A4
APPROVE	CHECK	DRAW	• X±0.20	• X±1°	SCALE:1:1	SHEET:1/4	REV:A
LEO	JAMES	JAMES	• XX±0.15	• XX±5°			
			• XXX±0.10				



TITLE SFP28 1X4 CAGE WITH EMI SPRING FINGER			LINK-PP INT'L TECHNOLOGY CO., LIMITED				
PART NO. LP14CC01000S			GENNERAL TOLERANCE			UNIT:MM	SIZE:A4
APPROVE	CHECK	DRAW	• X±0.20	• X±1°	SCALE:1:1	SHEET:2/4	REV:A
LEO	JAMES	JAMES	• XX±0.15	• XX±5°			
			• XXX±0.10				



RECOMMENDED PCB CONFIGURATION  
WITH KEEP-OUT AREAS  
BELLY TO BELLY APPLICATIONS

THIS AREA DENOTES  
COMPONENT KEEP-OUT  
(TRACES ALLOWED)

28 HOLES  
(SHOWN AS  $\oplus$ )  
 $\phi 1.05 \pm 0.05$   
 $\oplus \phi 0.1 \text{ [A] [B]}$   
-c-

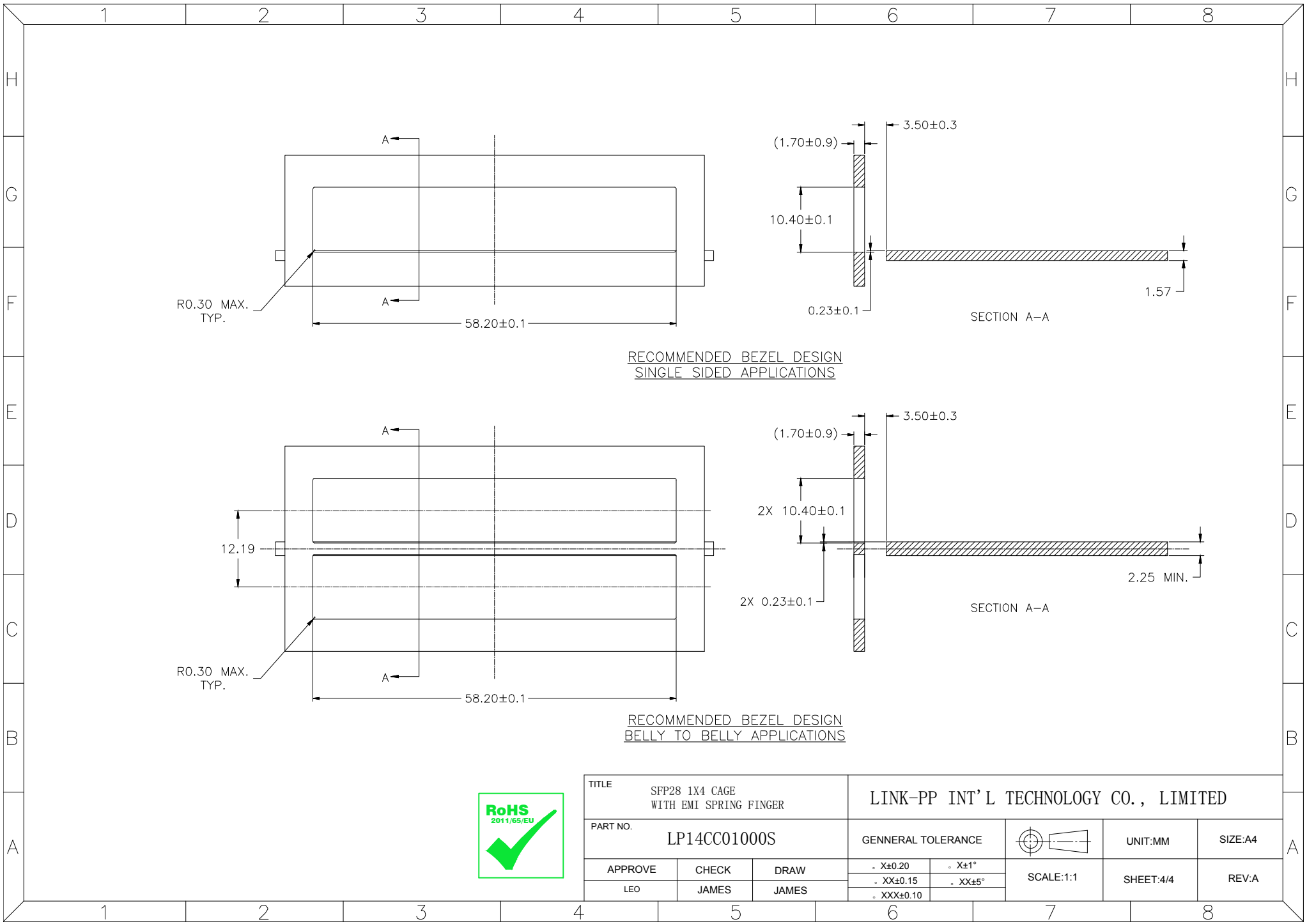
28 HOLES  
(SHOWN AS  $\bullet$ )  
 $\phi 0.95 \pm 0.05$   
 $\oplus \phi 0.1 \text{ [C] [D]}$

DETAIL H  
RECOMMENDED CONNECTOR LAYOUT  
8X INDIVIDUALLY

CROSS-HATCHED AREA DENOTES  
COMPONENT AND TRACE KEEP-OUT  
(EXCEPT CHASSIS GROUND)



TITLE SFP28 1X4 CAGE WITH EMI SPRING FINGER			LINK-PP INT'L TECHNOLOGY CO., LIMITED				
PART NO. LP14CC01000S			GENNERAL TOLERANCE			UNIT:MM	SIZE:A4
APPROVE	CHECK	DRAW	. X±0.20	. X±1°	SCALE:1:1	SHEET:3/4	REV:A
LEO	JAMES	JAMES	. XX±0.15	. XX±5°			
			. XXX±0.10				



RECOMMENDED BEZEL DESIGN  
SINGLE SIDED APPLICATIONS

RECOMMENDED BEZEL DESIGN  
BELLY TO BELLY APPLICATIONS



TITLE SFP28 1X4 CAGE WITH EMI SPRING FINGER			LINK-PP INT'L TECHNOLOGY CO., LIMITED				
PART NO. LP14CC01000S			GENNERAL TOLERANCE			UNIT:MM	SIZE:A4
APPROVE	CHECK	DRAW	• X±0.20	• X±1°	SCALE:1:1	SHEET:4/4	REV:A
LEO	JAMES	JAMES	• XX±0.15	• XX±5°			
			• XXX±0.10				