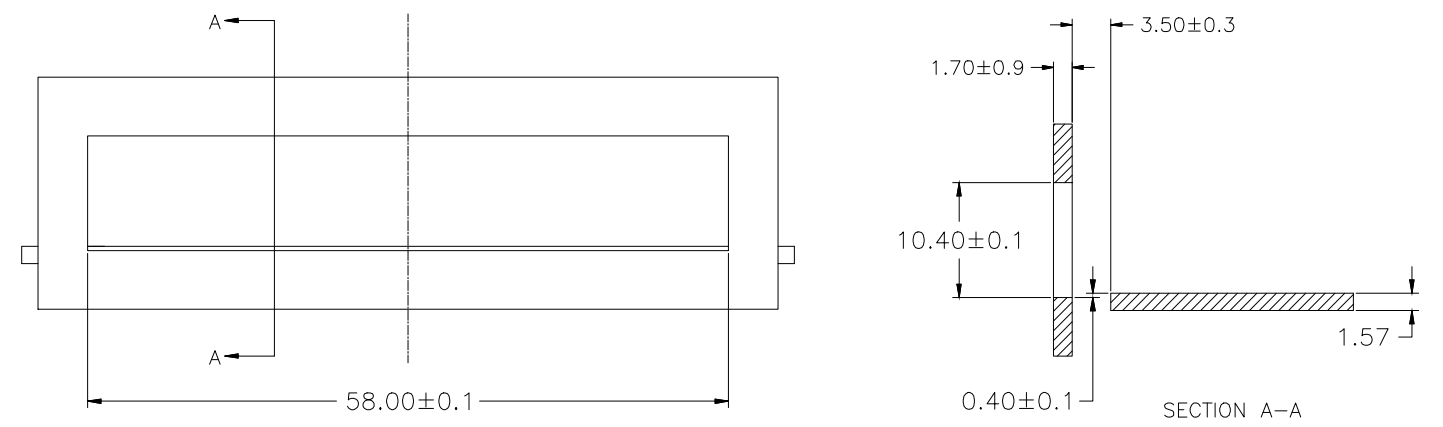
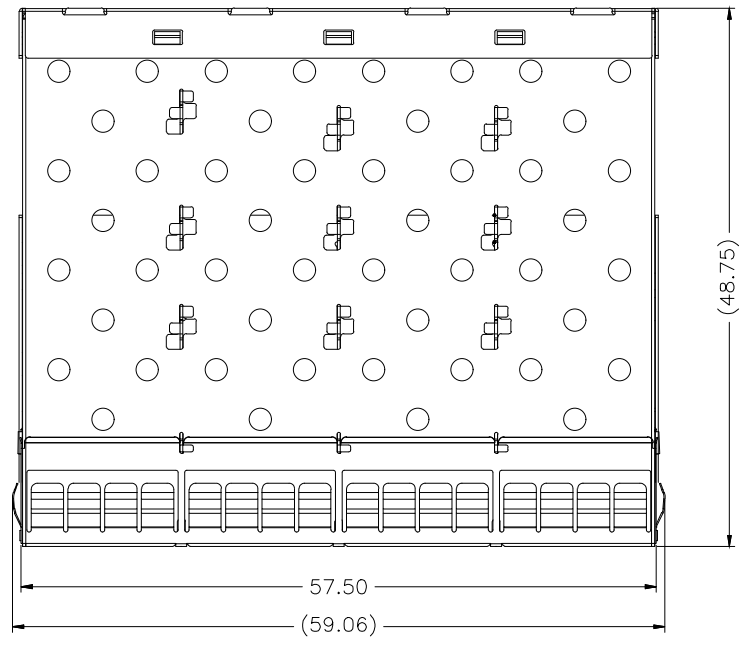
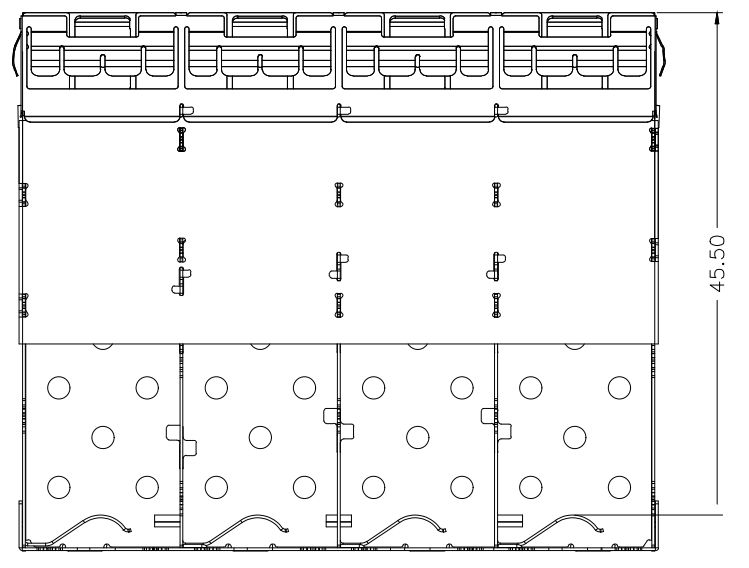
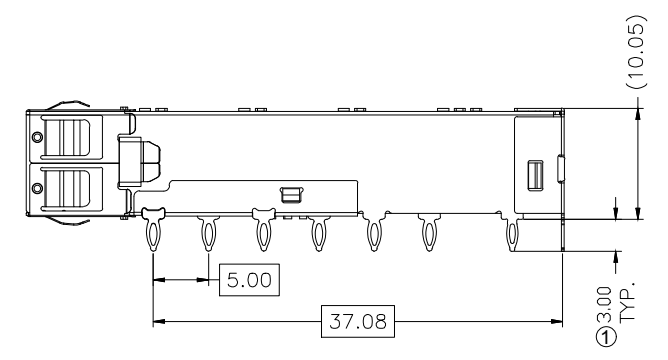
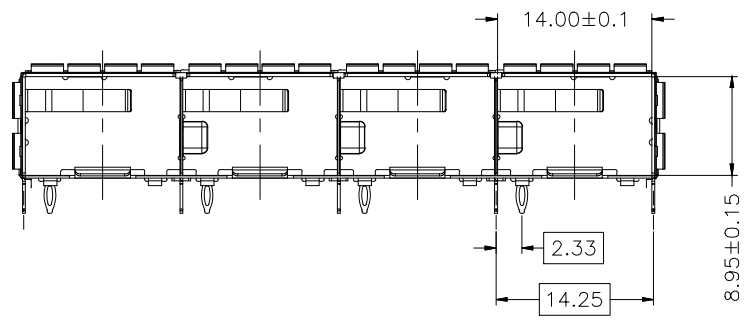


REV	DESCRIPTION OF CHANGE	REVIEWED BY	ISSUE DATE
A	① 3.0	LEO	2021-10-11
B	① 2.05		



RECOMMENDED BEZEL DESIGN

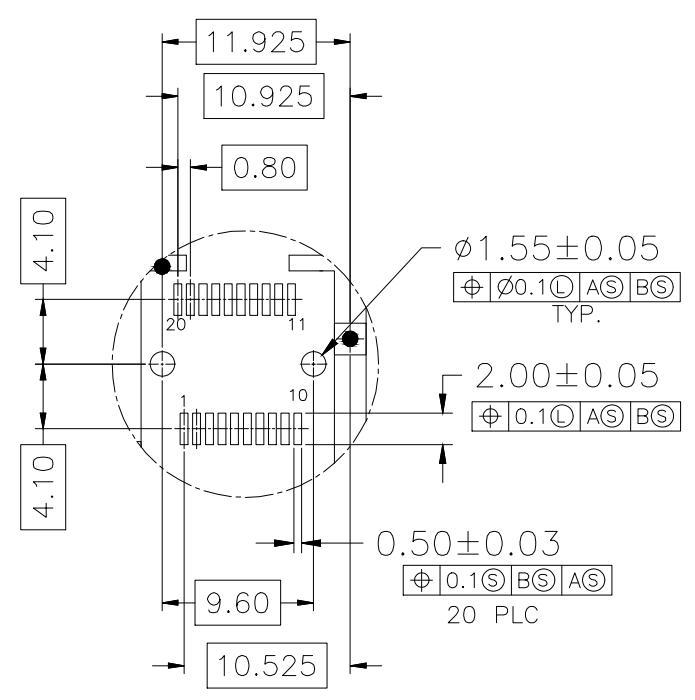
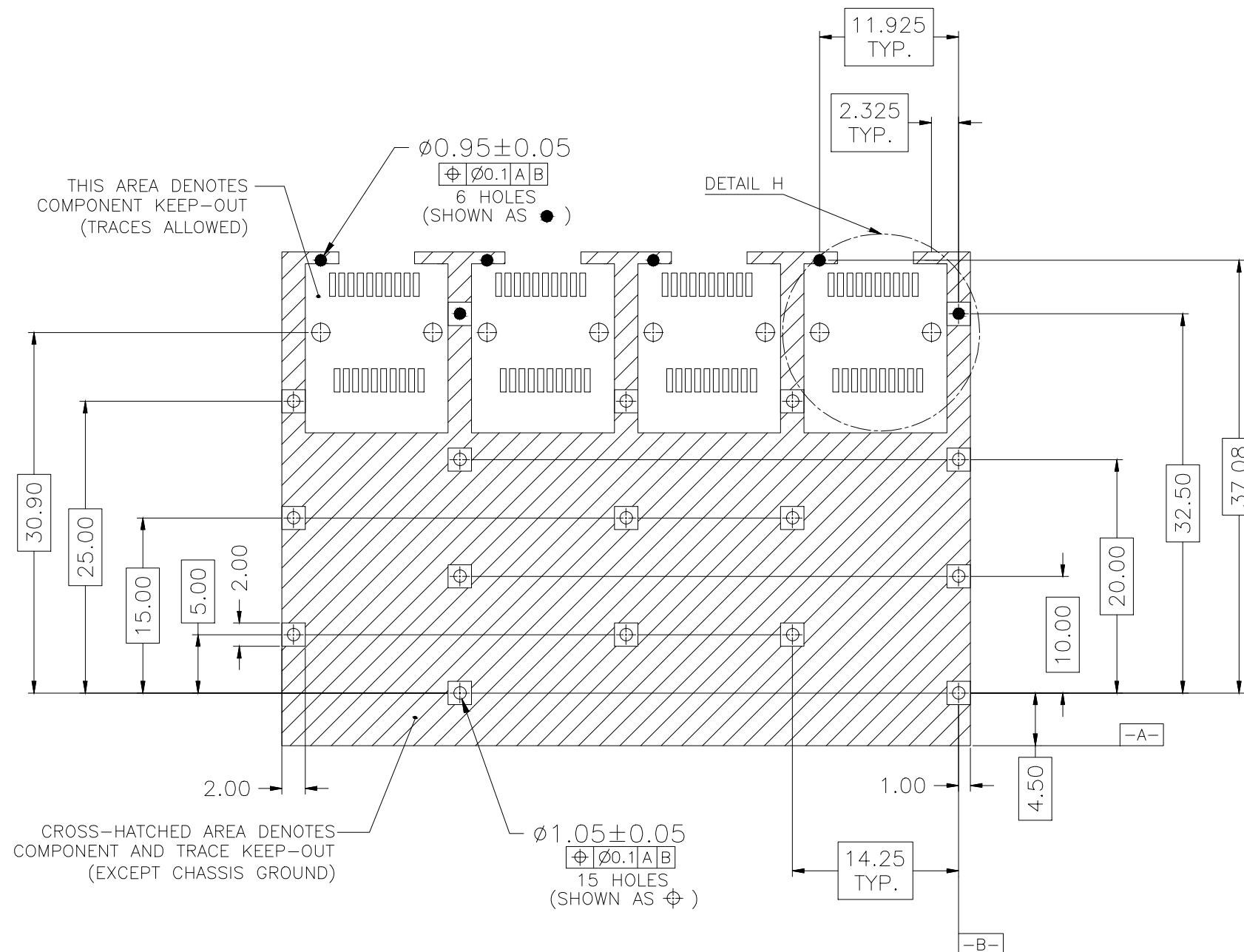


NOTES:

- 1.MATERIAL: NICKEL SILVER, THICKNESS 0.25mm
- 2.PACKAGING: TRAY PACKAGING
- 3.TEMPERATURE RANGE: -55°C TO +85°C



TITLE			SFP+ 1x4 CAGE WITH EMI SPRING FINGER		LINK-PP INT'L TECHNOLOGY CO., LIMITED			
PART NO.			LP14BC01000 REV A		GENNERAL TOLERANCE		UNIT:MM	SIZE:A4
APPROVE	CHECK	DRAW	○ X±0.20	○ X±1°	SCALE:1:1	SHEET:1/3	REV:A	
LEO	JAMES	JAMES	○ XX±0.15	○ XX±5°				
			○ XXX±0.10					

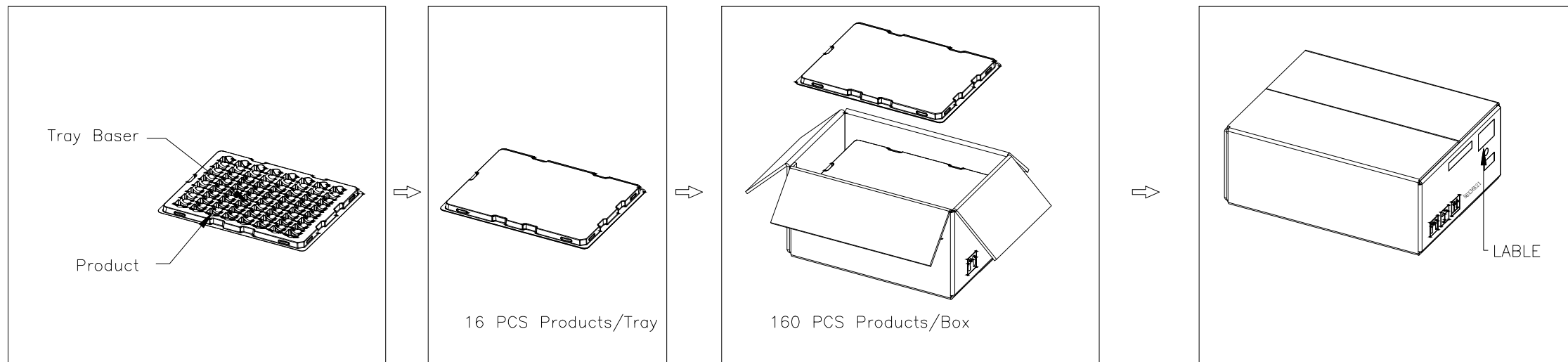


DETAIL H



TITLE			SFP+ 1x4 CAGE WITH EMI SPRING FINGER		LINK-PP INT'L TECHNOLOGY CO., LIMITED			
PART NO.			LP14BC01000 REV A		GENERAL TOLERANCE		UNIT:MM	SIZE:A4
APPROVE	CHECK	DRAW	◦ X±0.20	◦ X±1°	SCALE:1:1	SHEET:2/3	REV:A	
LEO	JAMES	JAMES	◦ XX±0.15	◦ XX±5°				
			◦ XXX±0.10					

PACKAGE INFORMATION AND LABEL



PACKING QUANTITY : 16 PCS FINISHED GOODS PER TRAY

10 TRAYS (160 PCS FINISHED GOODS) PER CARTON BOX



TITLE			SFP+ 1x4 CAGE WITH EMI SPRING FINGER		LINK-PP INT'L TECHNOLOGY CO., LIMITED			
PART NO.			LP14BC01000 REV A		GENNERAL TOLERANCE		UNIT:MM	SIZE:A4
APPROVE	CHECK	DRAW	◦ X±0.20	◦ X±1°	 SCALE:1:1	SHEET:3/3	REV:A	
LEO	JAMES	JAMES	◦ XX±0.15	◦ XX±5°				
			◦ XXX±0.10					