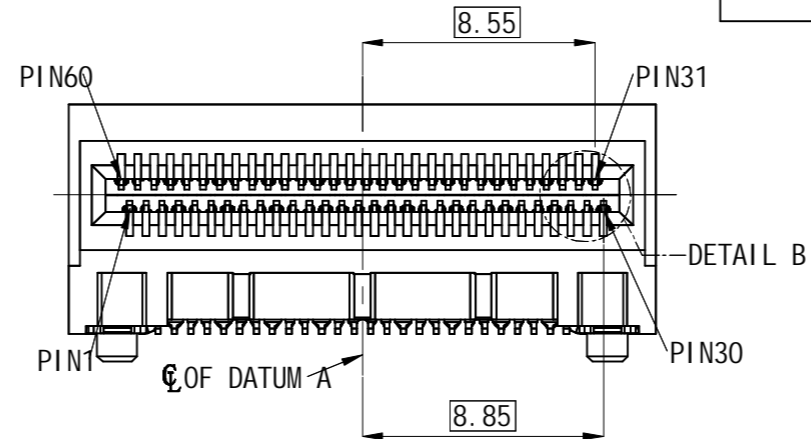
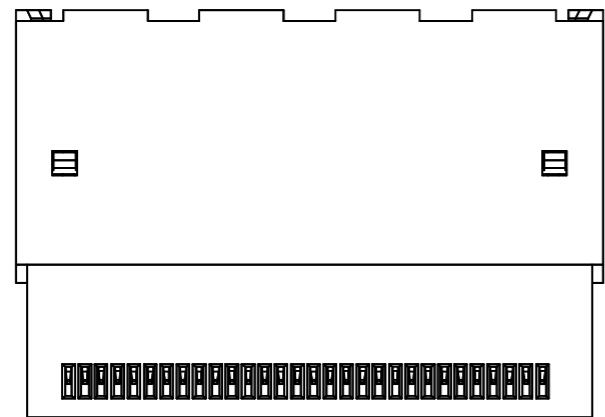
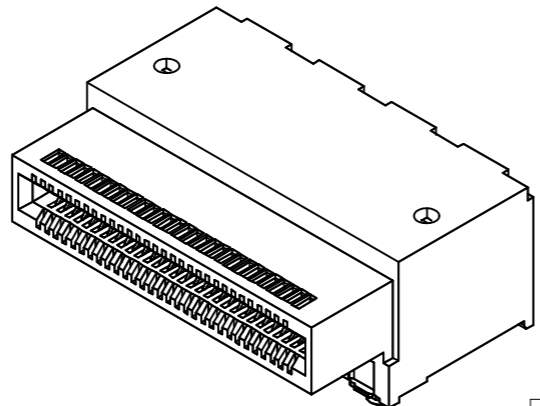
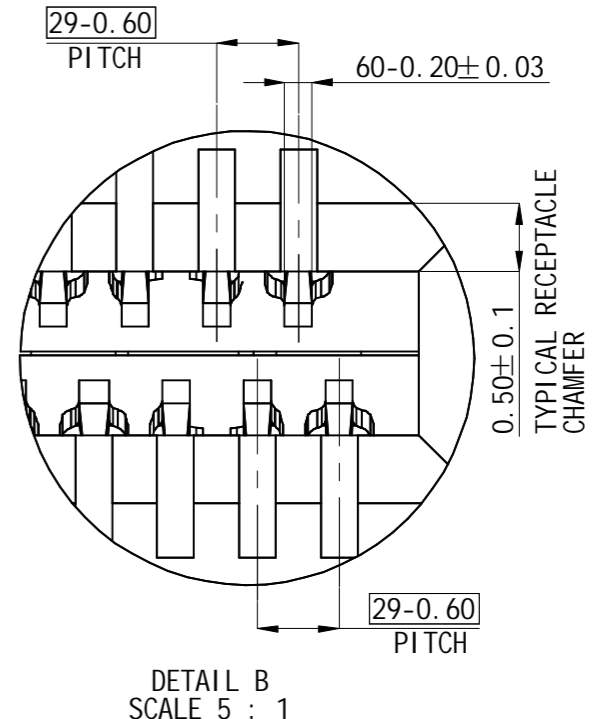
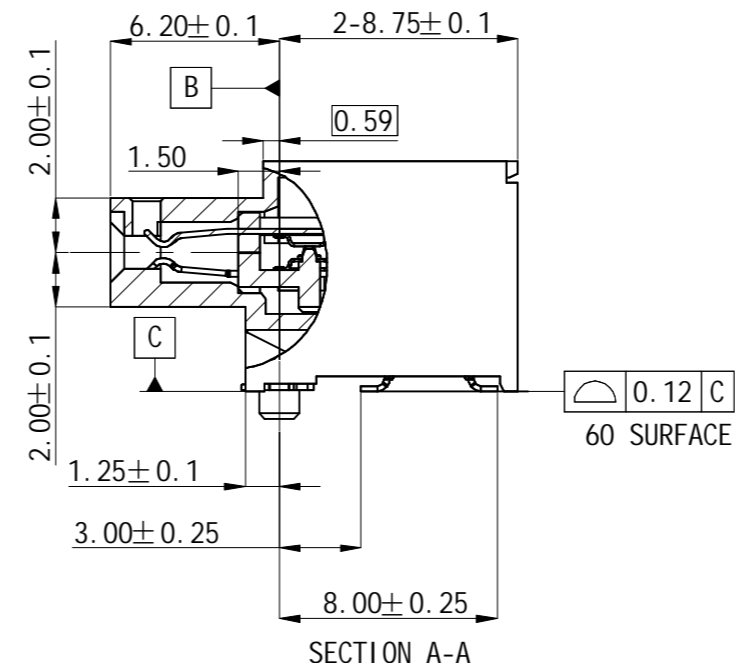
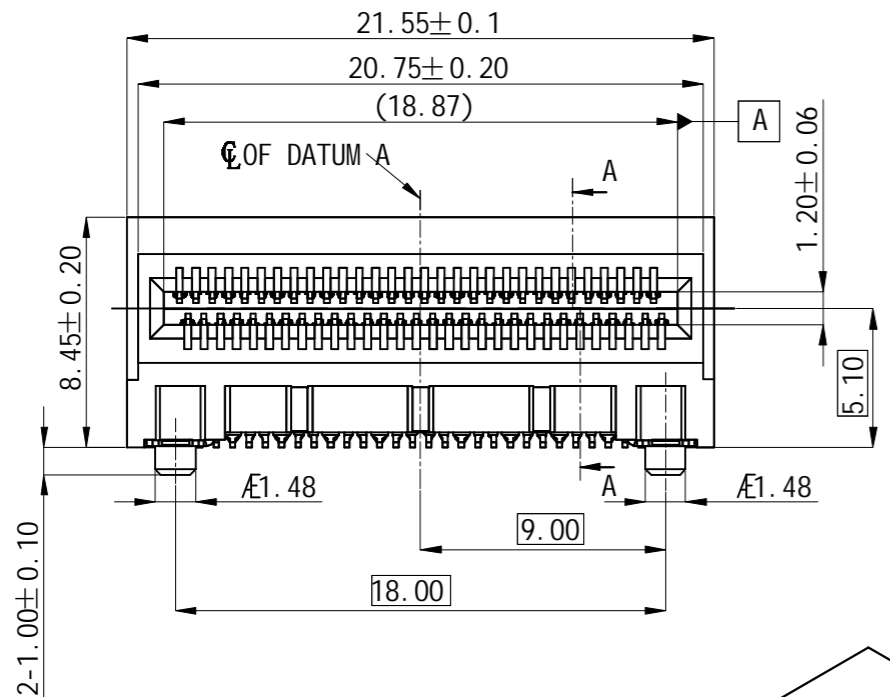


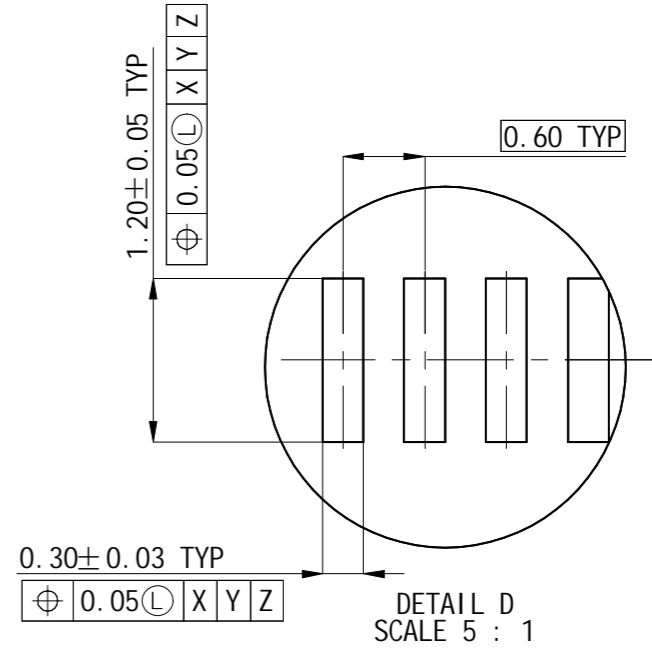
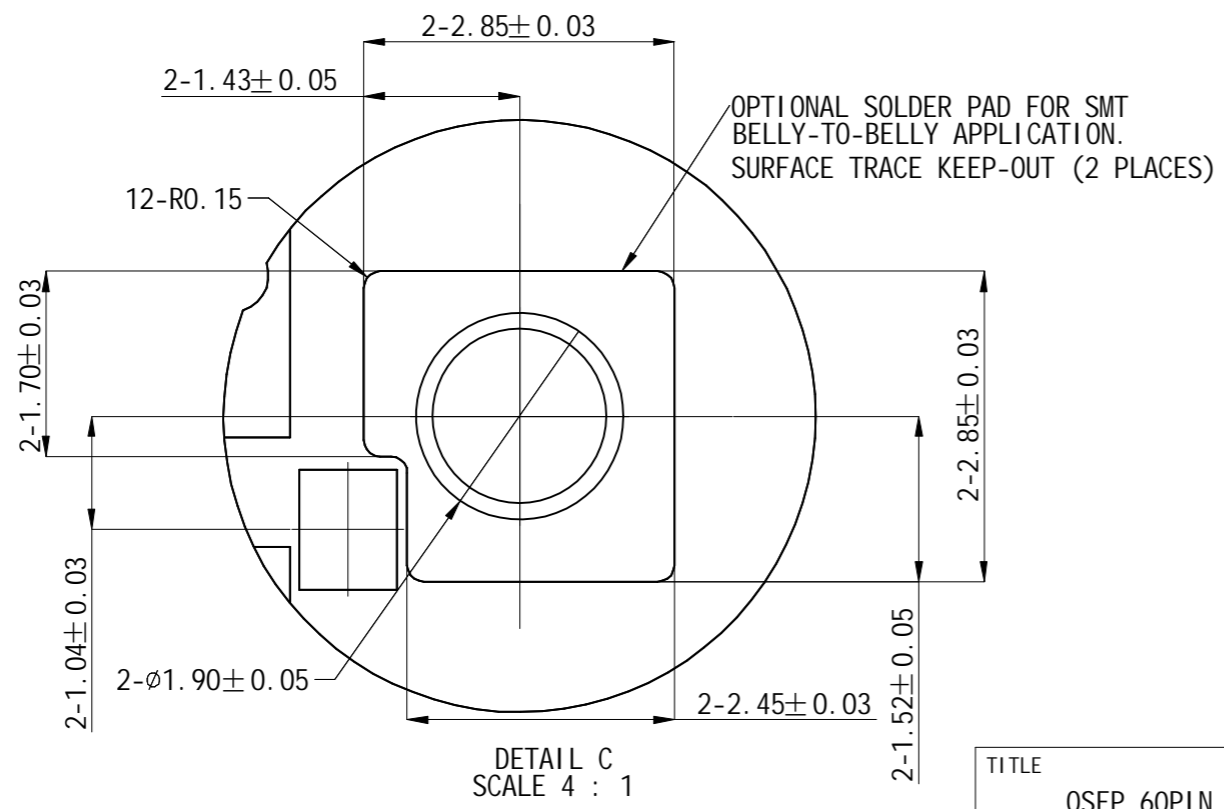
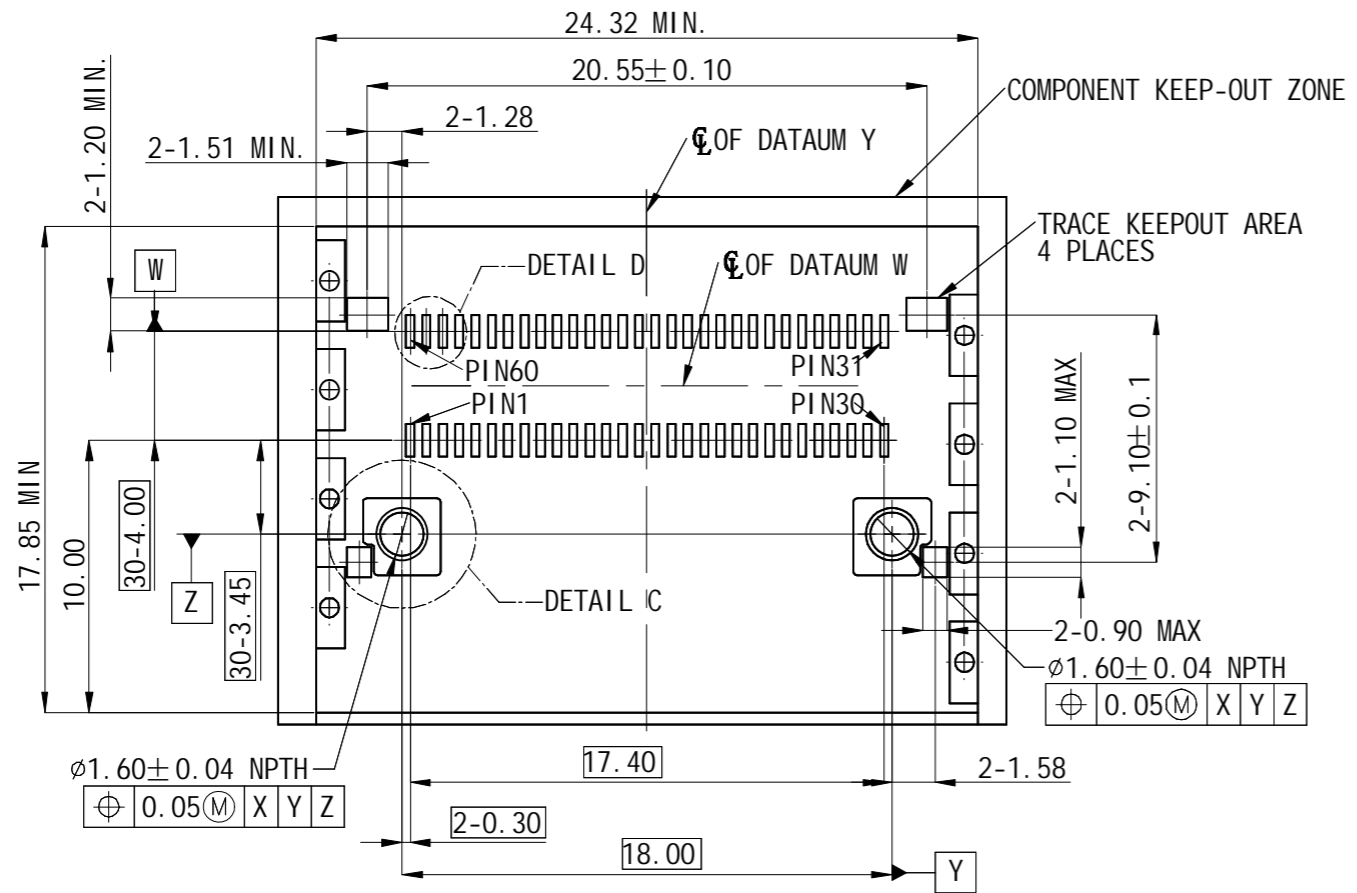
REV.	DESCRIPTION OF CHANGE	REVIEWED BY	ISSUE DATE
A	FIRST ISSUE	JULY	2024-03-27



- NOTES:
- MATERIAL:  
HOUSING: LCP UL94V-0, BLACK  
INSERT MOLDING: LCP UL94V-0, BLACK  
CONTACT: COPPER ALLOY  
SOLDER PAD: COPPER ALLOY
  - FINISH SPEC AS BELOW:  
CONTACT AREA PLATE NICKEL 50U" , PLATE Gold 30U"  
SOLDER AREA PLATE NICKEL 50U" , PLATE MATT TIN 100U".
  - ELECTRICAL CHARACTERISTICS  
CONTACT CURRENT RATING: 0.5 AMPERE  
VOLTAGE RATING: 30VAC  
CONTACT RESISTANCE: 50 MILLOHMS MAX  
DIELECTRIC WITHSTANDING VOLTAGE: 300VDC
  - ENVIRONMENT  
OPERATION TEMPERATURE: -40 C TO 85° C



TITLE OSFP 60PIN CONNECTOR 30U"			LINK-PP INT'L TECHNOLOGY CO., LIMITED				
PART NO. LP11S000013			GENNERAL TOLERANCE			UNIT: MM	SIZE: A4
APPROVE JULY	CHECK Kevin	DRAW Kevin	.X±0.25	.X±1°	SCALE: 1:1	SHEET: 1/2	REV: A
			.XX±0.15	.XX±5°			
			.XXX±0.10				



TITLE OSFP 60PIN CONNECTOR 30U"			LINK-PP INT'L TECHNOLOGY CO., LIMITED				
PART NO. LP11S000013			GENNERAL TOLERANCE			UNIT: MM	SIZE: A4
APPROVE JULY	CHECK Kevin	DRAW Kevin	.X±0.25	.X±1°	SCALE: 1:1	SHEET: 2/2	REV: A
			.XX±0.15	.XX±5°			
			.XXX±0.10				