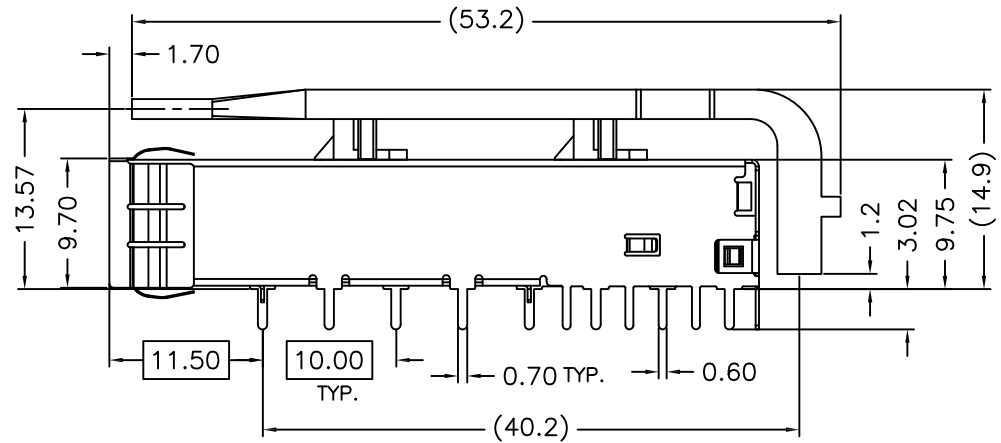
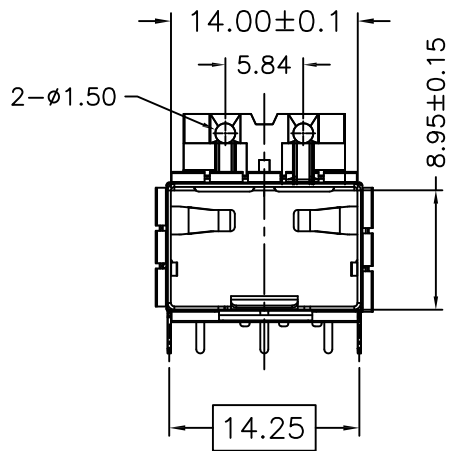
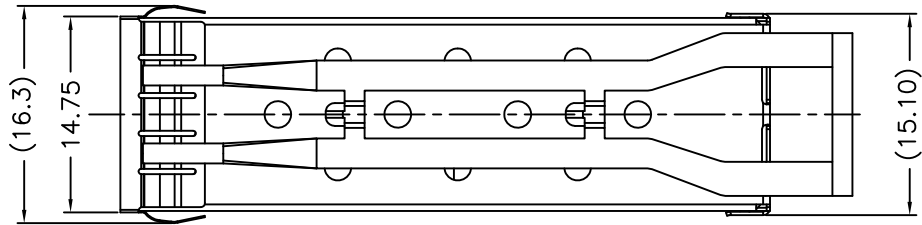
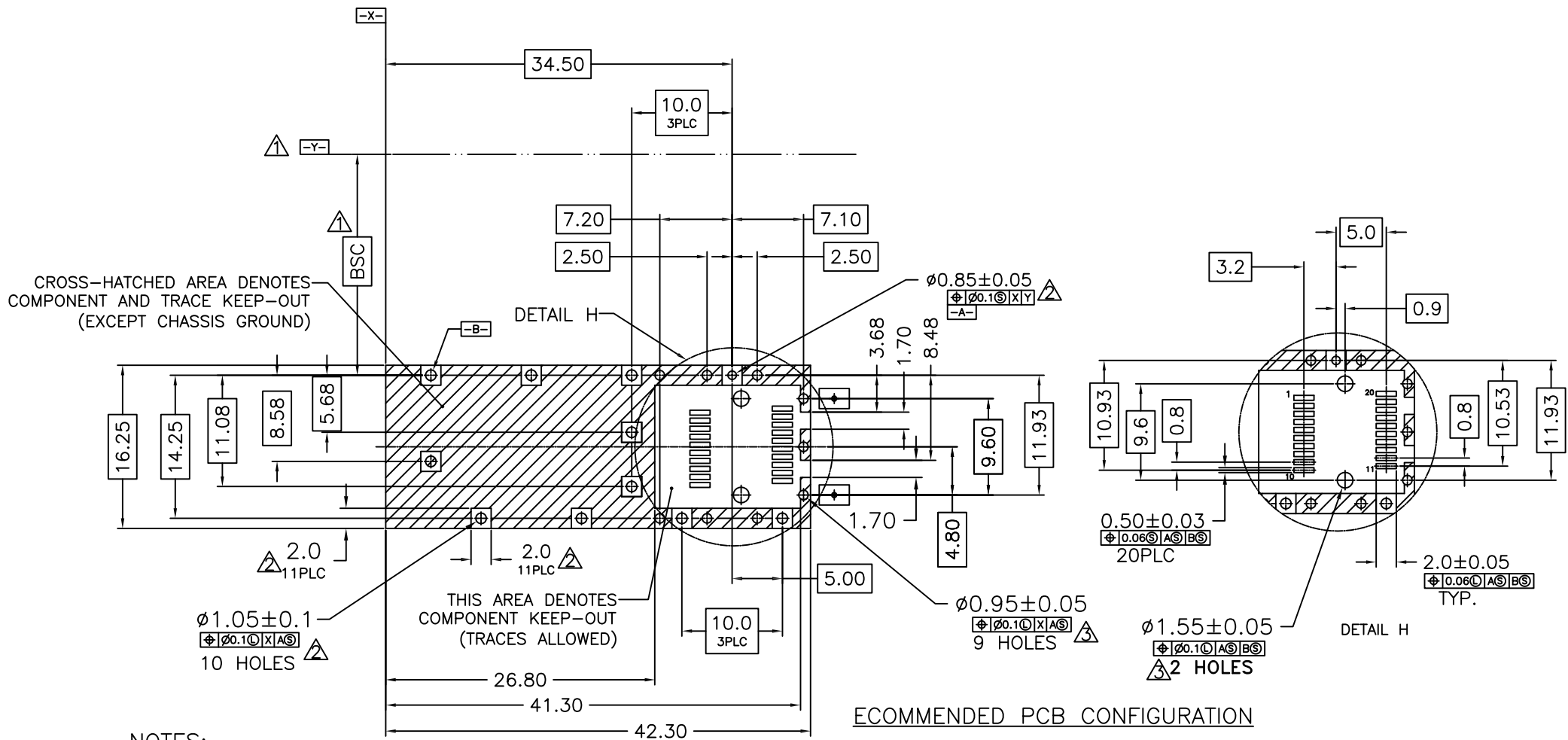


REV	DESCRIPTION OF CHANGE	REVIEWED BY	ISSUE DATE
A	FIRST ISSUE	James	2022-03-30

NOTES:
 1.MATERIAL:
 CAGE: COPPER ALLOY, Ni PLATED
 THICKNESS 0.25mm
 LIGHT PIPE: CLEAR POLYCARBONATE
 2.PACKAGING: TRAY PACKAGING
 3.TEMPERATURE RANGE: -55°C TO +85°C



TITLE			LINK-PP INT'L TECHNOLOGY CO., LIMITED				
SFP+ 1X1 CAGE, WITH LIGHT PIPE							
PART NO. LP11BCS2201			GENERAL TOLERANCE			UNIT:MM	SIZE: A4
APPROVE	CHECK	DRAW	.X±0.20	.X±1'	SCALE: 1:1	SHEET:1/3	REV:A
James	Kevin	Kevin	.XX±0.15	.XX±5'			
			.XXX±0.10				



CROSS-HATCHED AREA DENOTES COMPONENT AND TRACE KEEP-OUT (EXCEPT CHASSIS GROUND)

THIS AREA DENOTES COMPONENT KEEP-OUT (TRACES ALLOWED)

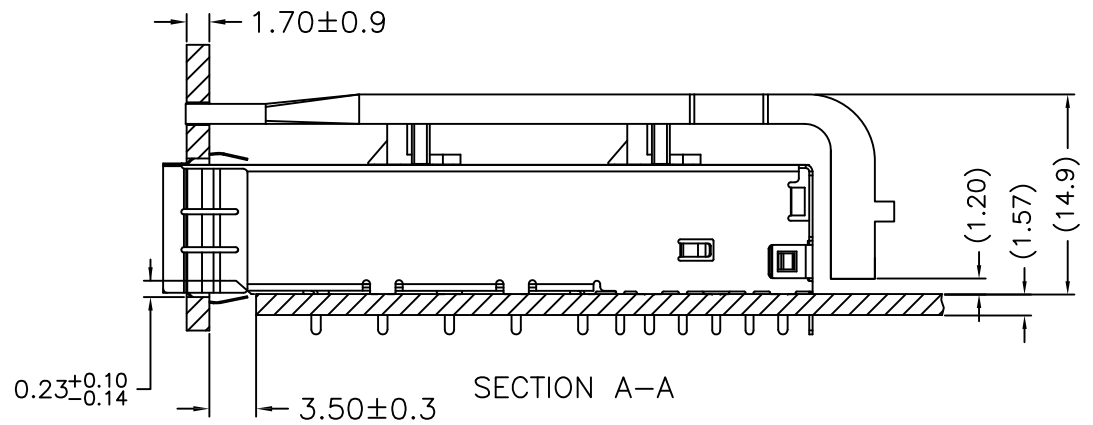
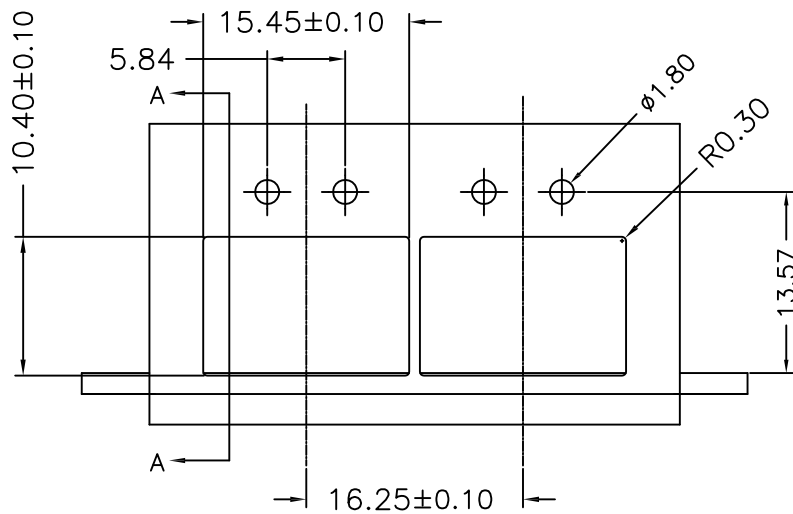
ECOMMENDED PCB CONFIGURATION

NOTES:

- 1. DATUM AND BASIC DIMENSIONS ESTABLISHED BY CUSTOMER
- 2. PADS AND VIAS ARE CHASSIS GROUND, 11 PLACES
- 3. THRU HOLES, PLATING OPTIONAL

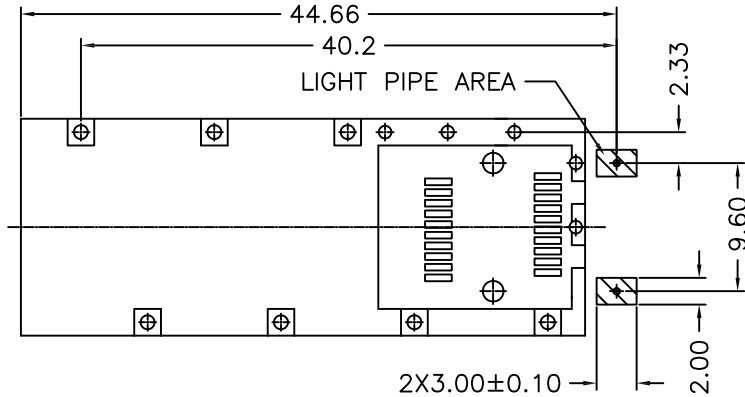


TITLE			LINK-PP INT'L TECHNOLOGY CO., LIMITED			
SFP+ 1X1 CAGE, WITH LIGHT PIPE						
PART NO. LP11BCS2201			GENERAL TOLERANCE		UNIT:MM	SIZE: A4
APPROVE	CHECK	DRAW	.X±0.20	.X±1'	SCALE: 1:1	SHEET:2/3
James	Kevin	Kevin	.XX±0.15	.XX±5'		
			.XXX±0.10			



RECOMMENDED BEZEL DESIGN

NOTES:
 ▲ MINIMUM PITCH ILLUSTRATED, ENGLISH DIMENSIONS ARE FOR REFERENCE ONLY



ECOMMENDED PCB CONFIGURATION



TITLE			LINK-PP INT'L TECHNOLOGY CO., LIMITED			
SFP+ 1X1 CAGE, WITH LIGHT PIPE						
PART NO. LP11BCS2201			GENERAL TOLERANCE		UNIT:MM	SIZE: A4
APPROVE	CHECK	DRAW	.X±0.20	.X±1'	SCALE: 1:1	SHEET:3/3
James	Kevin	Kevin	.XX±0.15	.XX±5'		
			.XXX±0.10			