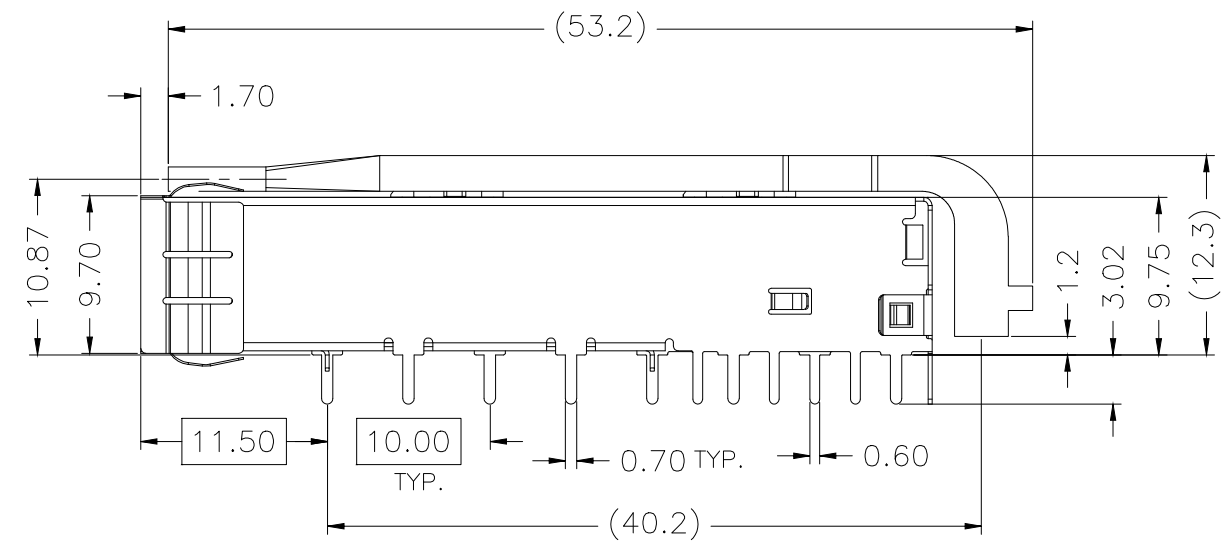
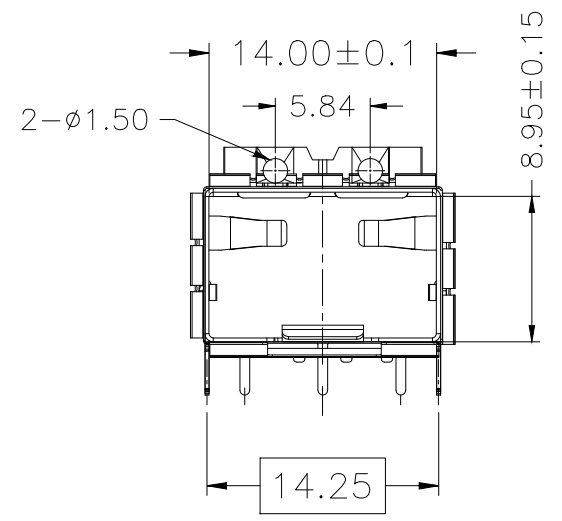
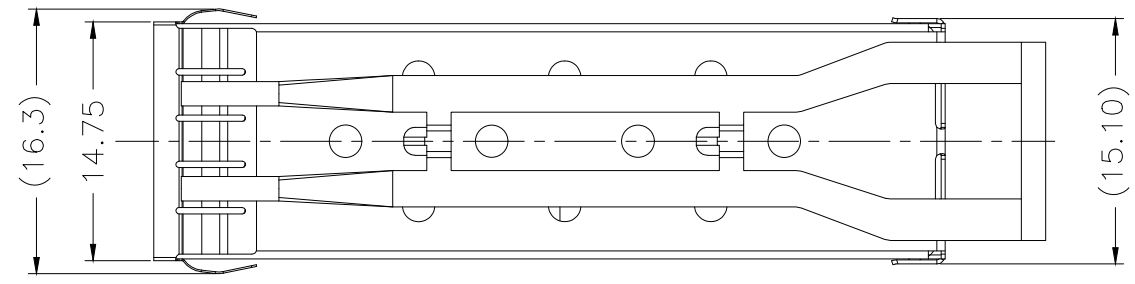
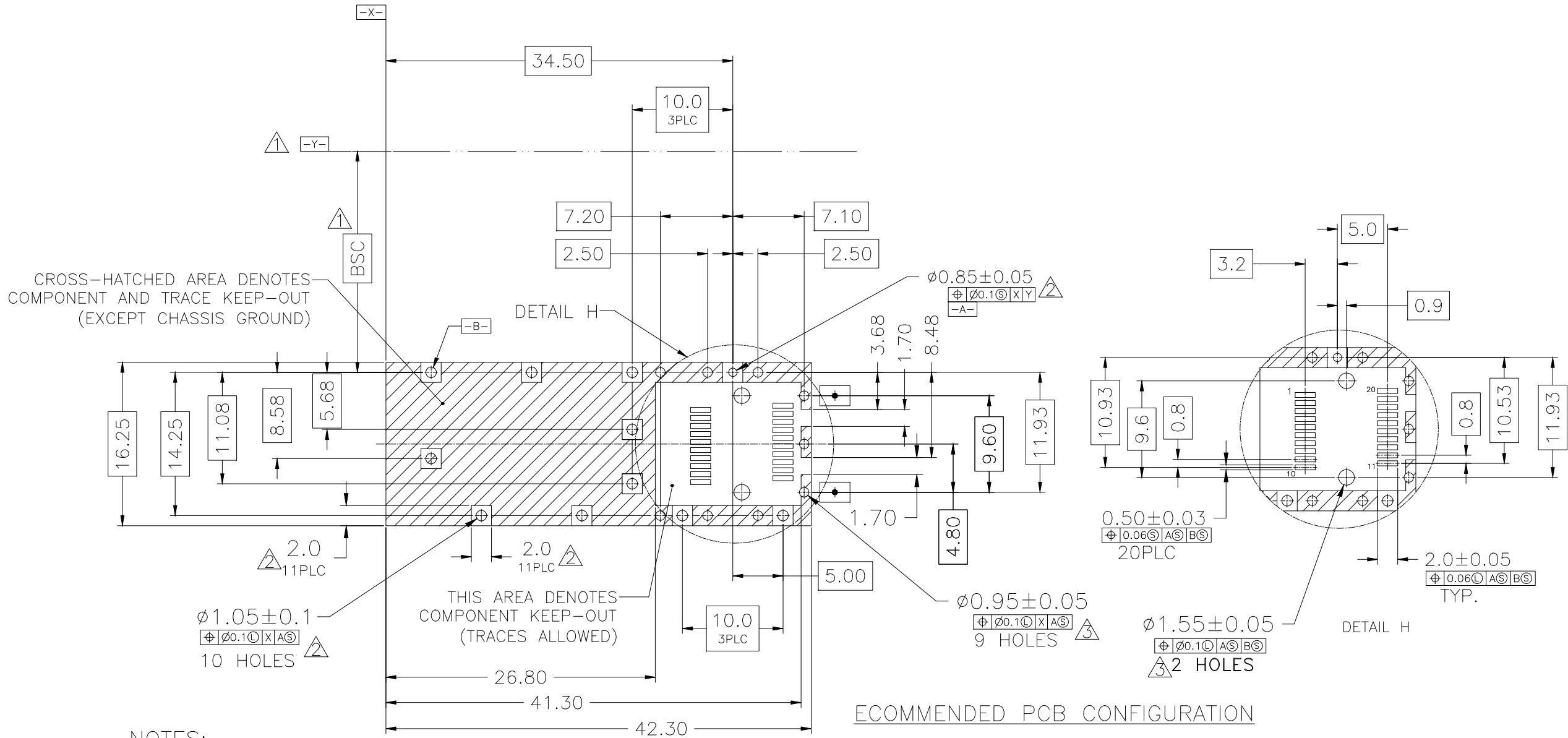


REV	DESCRIPTION OF CHANGE	REVIEWED BY	ISSUE DATE
A	FIRST ISSUE	JAMES	2021-09-02

NOTES:
 1.MATERIAL:
 CAGE: COPPER ALLOY, Ni PLATED
 THICKNESS 0.25mm
 LIGHT PIPE: CLEAR POLYCARBONATE
 2.PACKAGING: TRAY PACKAGING
 3.TEMPERATURE RANGE: -55°C TO +85°C



TITLE SFP+ 1X1 CAGE WITH EMI SPRING FINHER LIGHT PIPE			LINK-PP INT'L TECHNOLOGY CO., LIMITED				
PART NO. LP11BCS2100			GENERAL TOLERANCE			UNIT:MM	SIZE: A4
APPROVE	CHECK	DRAW	.X±0.20	.X±1*	SCALE: 1:1	SHEET:1/3	REV:A
James	Kevin	Kevin	.XX±0.15	.XX±5*			
			.XXX±0.10				

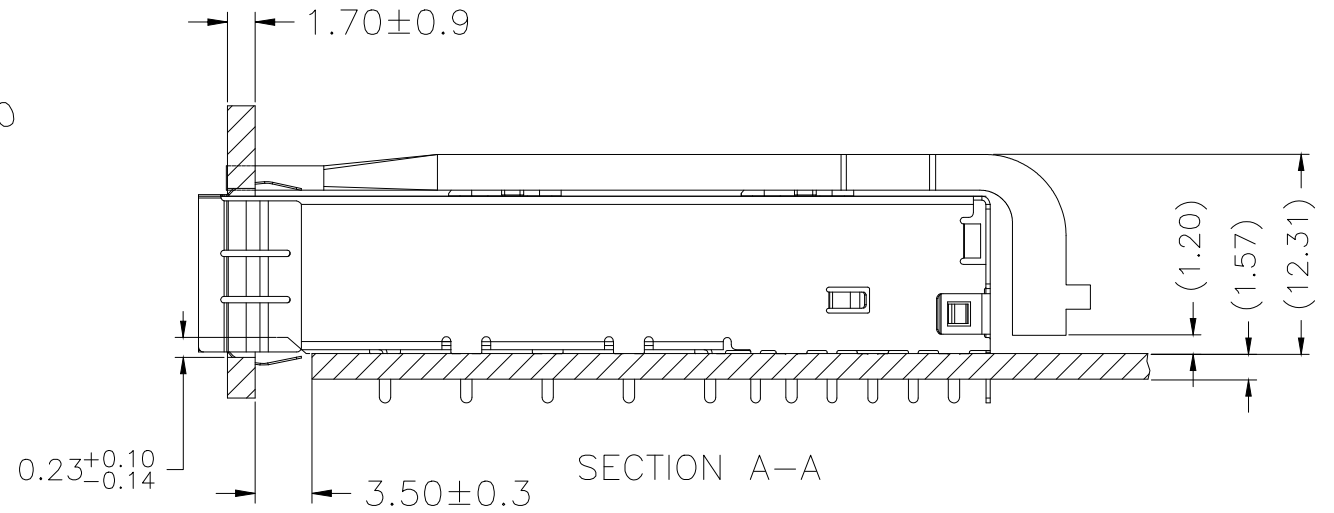
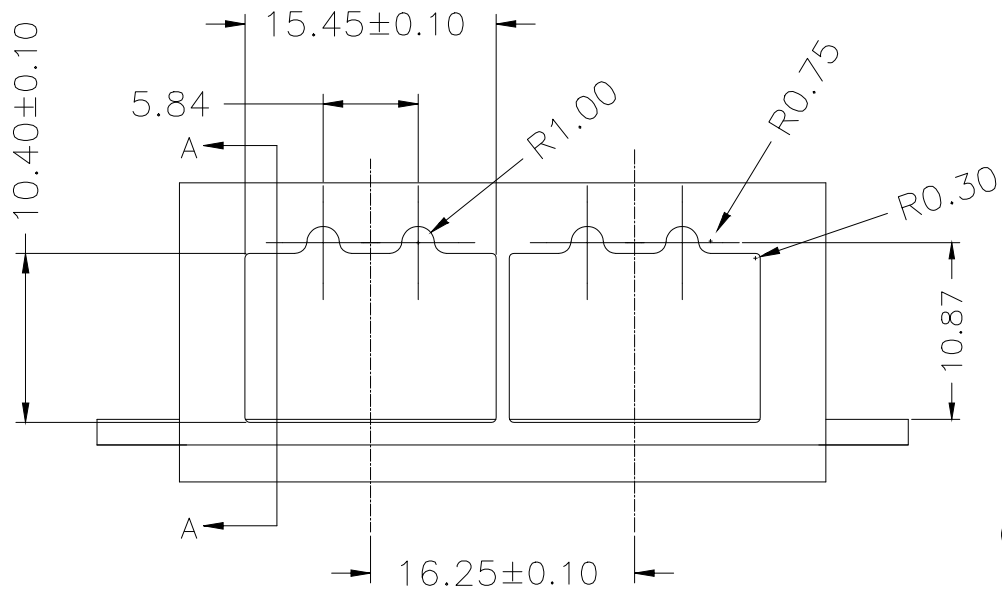


NOTES:

- 1. DATUM AND BASIC DIMENSIONS ESTABLISHED BY CUSTOMER
- 2. PADS AND VIAS ARE CHASSIS GROUND, 11 PLACES
- 3. THRU HOLES, PLATING OPTIONAL

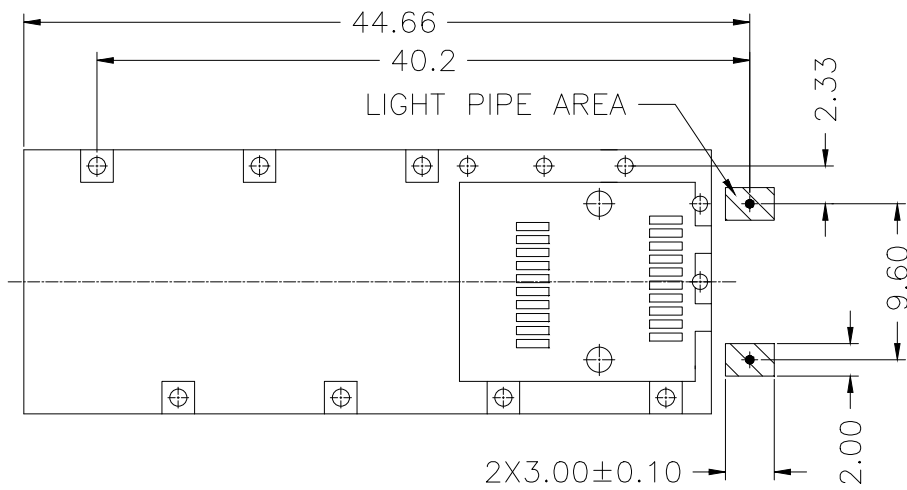


TITLE SFP+ 1X1 CAGE WITH EMI SPRING FINHER LIGHT PIPE			LINK-PP INT'L TECHNOLOGY CO., LIMITED		
PART NO. LP11BCS2100			GENERAL TOLERANCE		UNIT:MM
APPROVE	CHECK	DRAW	.X±0.20	.X±1*	SCALE: 1:1
James	Kevin	Kevin	.XX±0.15	.XX±5*	
			.XXX±0.10		
					SHEET:2/3
					REV:A



RECOMMENDED BEZEL DESIGN

NOTES:
 ▲ MINIMUM PITCH ILLUSTRATED, ENGLISH DIMENSIONS ARE FOR REFERENCE ONLY



RECOMMENDED PCB CONFIGURATION



TITLE SFP+ 1X1 CAGE WITH EMI SPRING FINHER LIGHT PIPE			LINK-PP INT'L TECHNOLOGY CO., LIMITED			
PART NO. LP11BCS2100			GENERAL TOLERANCE		UNIT:MM	SIZE: A4
APPROVE	CHECK	DRAW	.X±0.20	.X±1*	SCALE: 1:1	SHEET:3/3
James	Kevin	Kevin	.XX±0.15	.XX±5*		
			.XXX±0.10			