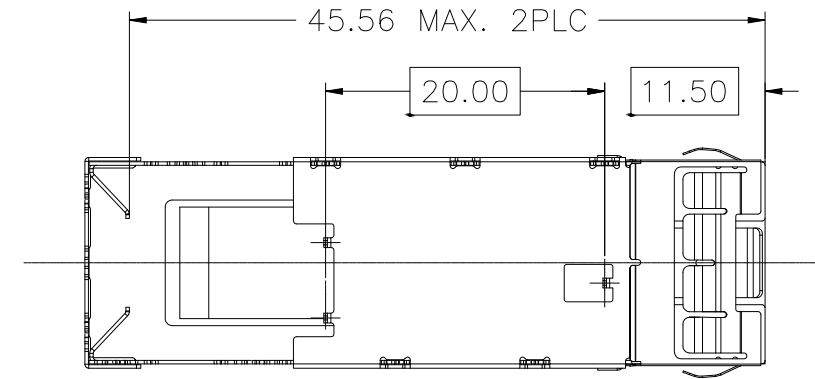
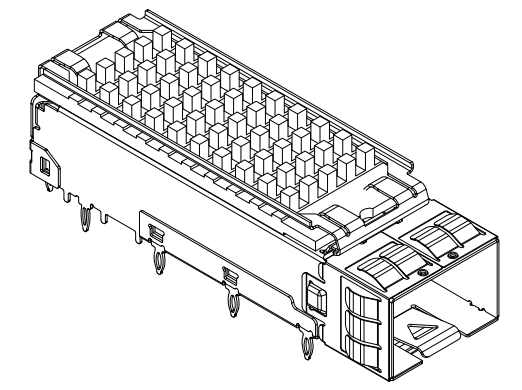
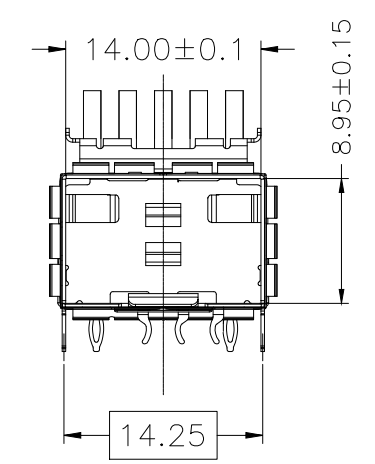
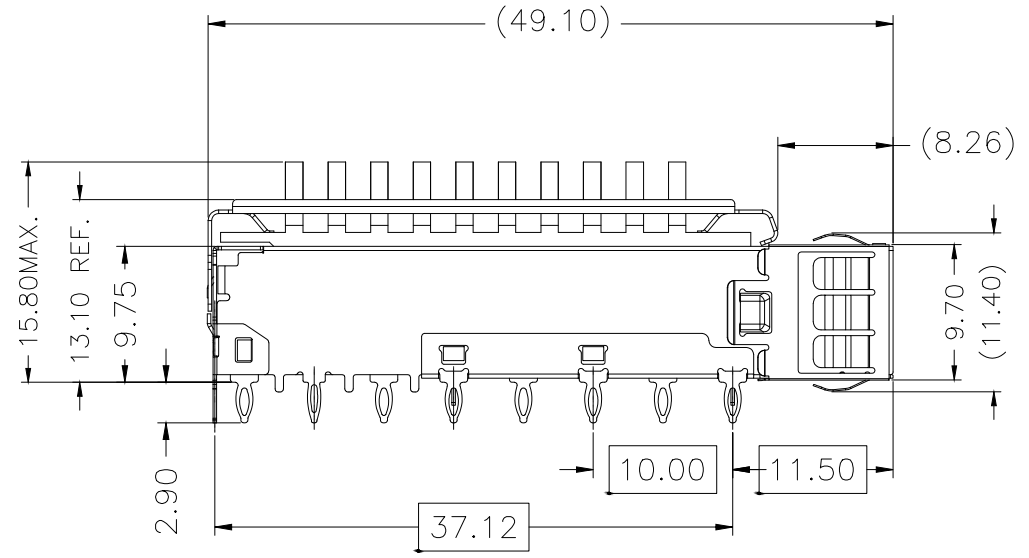
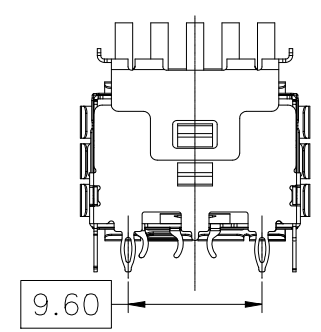
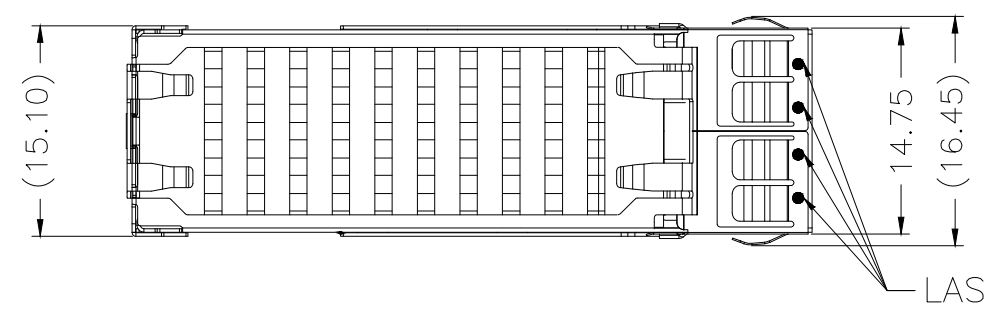


REV	DESCRIPTION OF CHANGE	REVIEWED BY	ISSUE DATE
A	FIRST ISSUE	LEO	2021-09-21

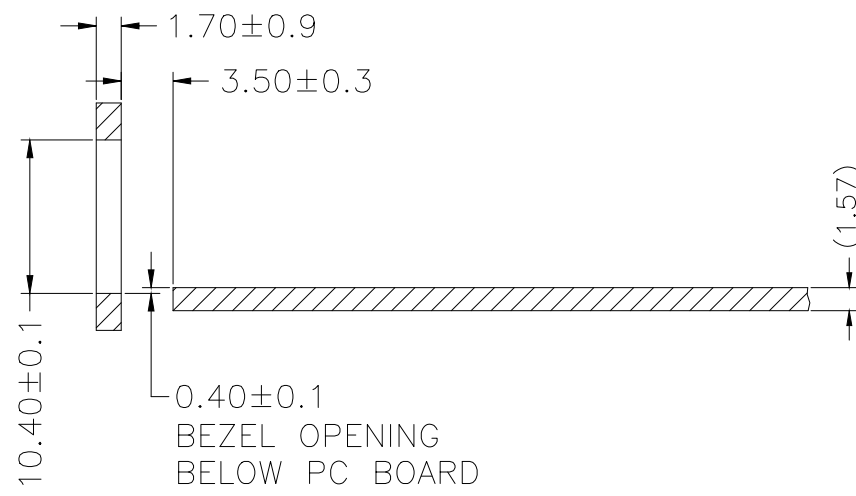
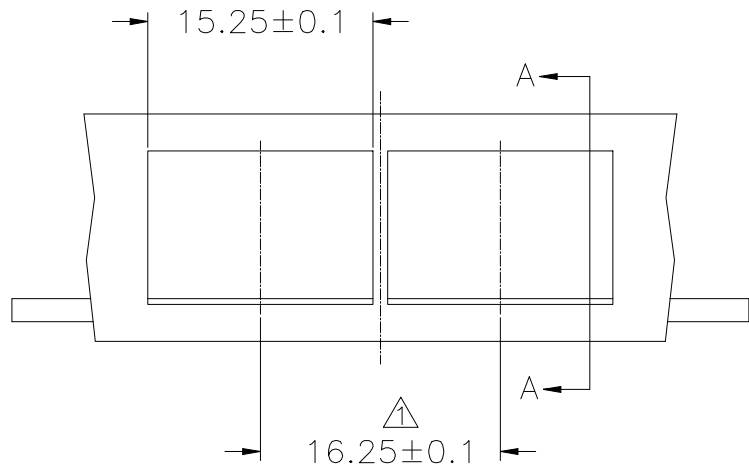
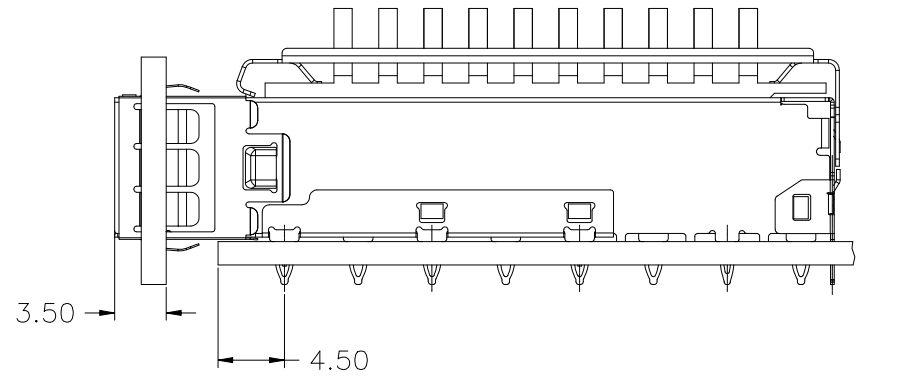


NOTES:
 1.MATERIAL:
 CAGE: COPPER ALLOY,NI PLATING(0.5um min),THICKNESS 0.25mm
 HEAT SINK : ALUMINUM(SURFACE TREATMENT:
 BLACK OXIDE)
 CLIP: STAINLESS STEEL
 2.PACKAGING: TRAY PACKAGING
 3.TEMPERATURE RANGE: -55°C TO +85°C



TITLE SFP+ 1X1 CAGE WITH EMI SPRING FINGER HEAT SINK			LINK-PP INT'L TECHNOLOGY CO., LIMITED			
PART NO. LP11BC02050			GENNERAL TOLERANCE		UNIT:MM	SIZE:A4
APPROVE	CHECK	DRAW	○ X±0.20	○ X±1°	SCALE:1:1	SHEET:1/3
LEO	Kevin	Kevin	○ XX±0.15	○ XX±5°		
			○ XXX±0.10			

NOTES:
 ⚠ MINIMUM PITCH ILLUSTRATED, ENGLISH DIMENSIONS ARE FOR REFERENCE ONLY



BEZEL OPENING
 BELOW PC BOARD

SECTION A-A

RECOMMENDED BEZEL DESIGN



TITLE SFP+ 1X1 CAGE WITH EMI SPRING FINGER HEAT SINK			LINK-PP INT'L TECHNOLOGY CO., LIMITED		
PART NO. LP11BC02050			GENNERAL TOLERANCE		UNIT:MM SIZE:A4
APPROVE	CHECK	DRAW	◦ X±0.20	◦ X±1°	SCALE:1:1 SHEET:3/3 REV:A
LEO	Kevin	Kevin	◦ XX±0.15	◦ XX±5°	
			◦ XXX±0.10		