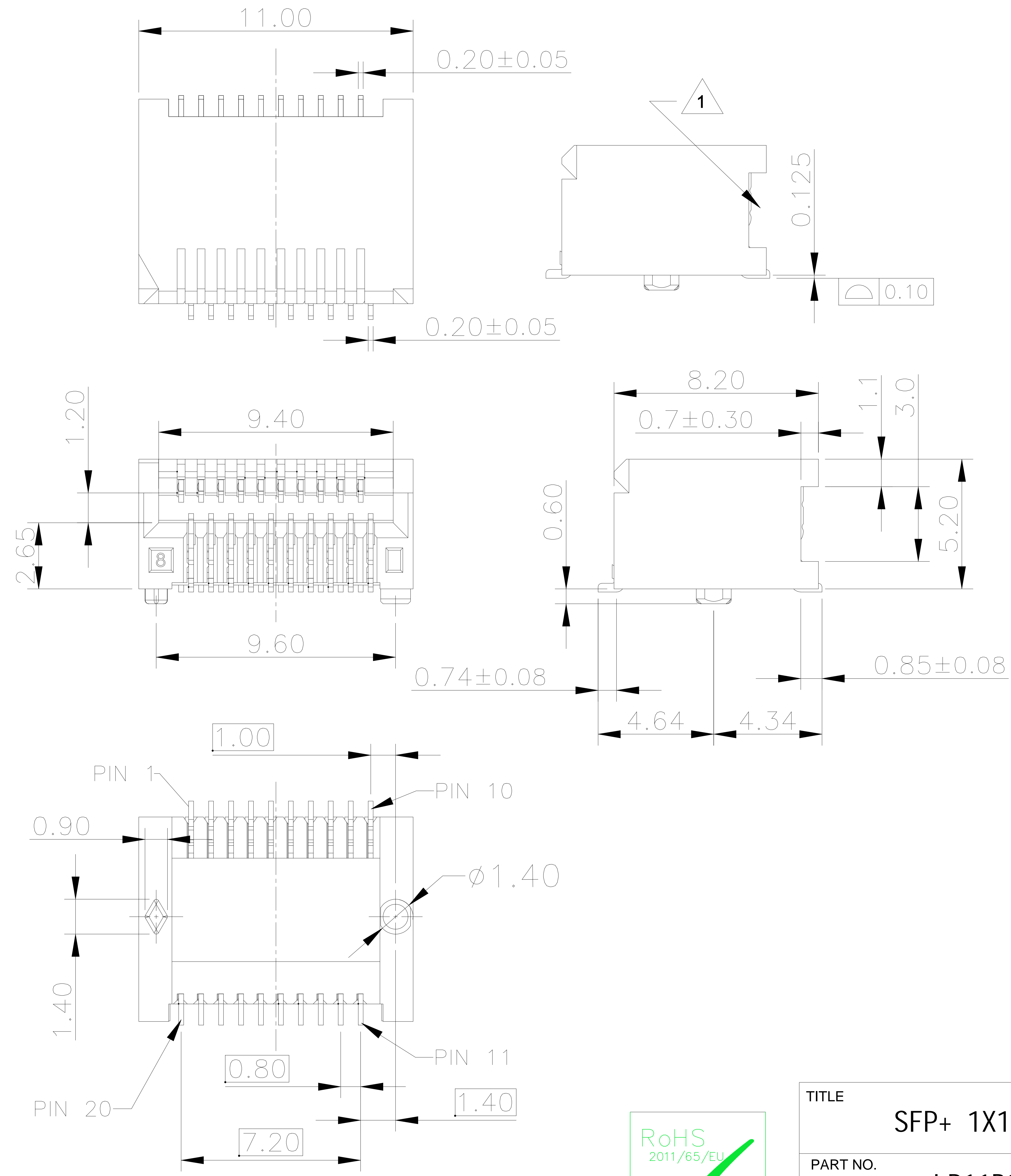
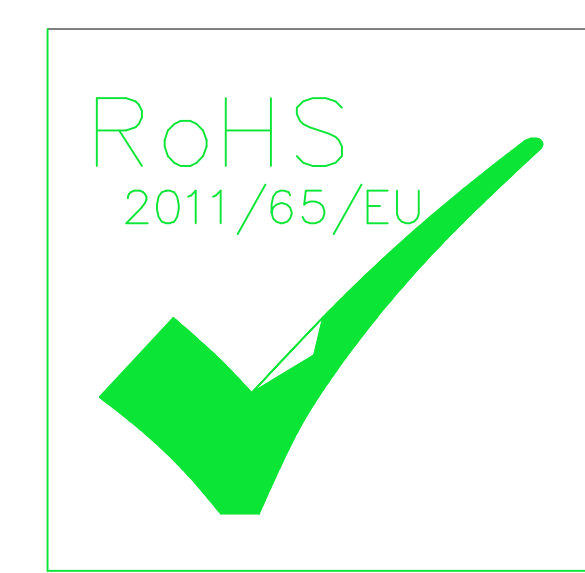


REV	DESCRIPTION OF CHANGE	REVIEWED BY	ISSUE DATE
B	FIRST ISSUE	LEO	2022-12-21

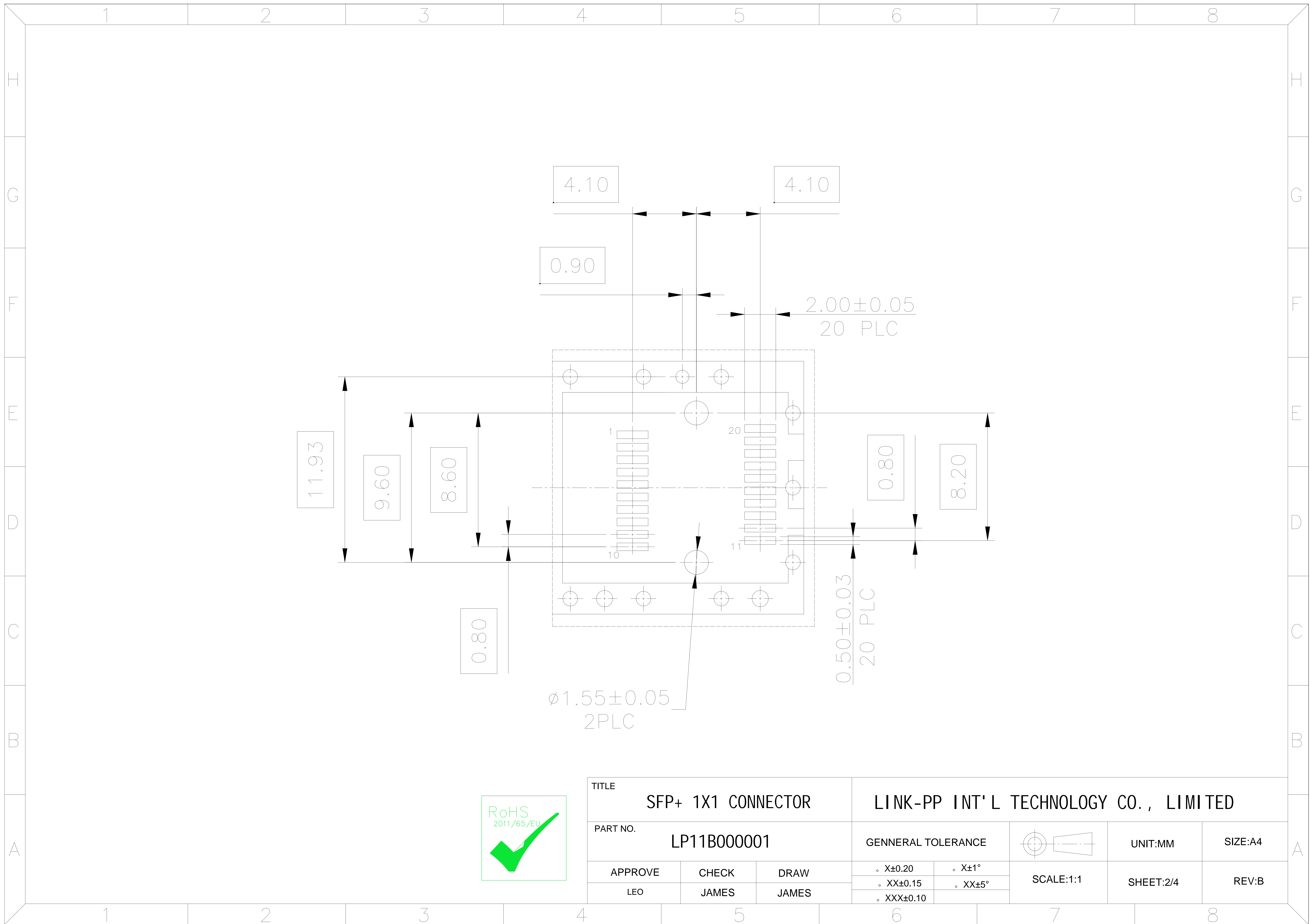


NOTES:

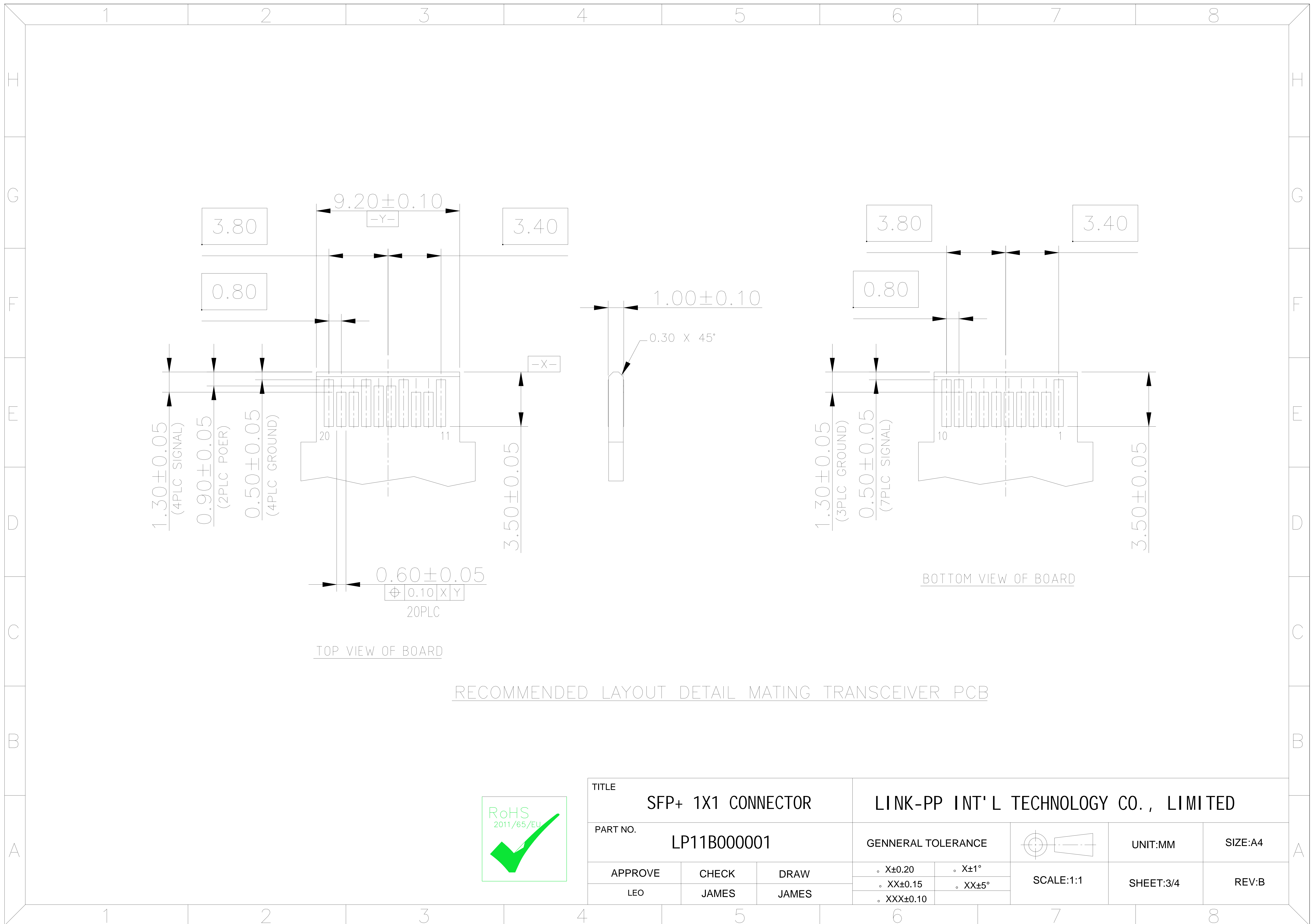
- MATERIAL**  
HOUSING: HIGH TEMPERATURE LCP, Black, UL94 V-0.
- CONTACTS: PHOSPHOR BRONZE**  
PLATING :15μ" GOLD ON MATING AREA,  
GOLD FLASH PLATING ON  
SOLDER TAILS, 50μ" NICKEL  
UNDERPLATING OVERALL.
- MECHANICAL REQUIREMENT:**  
3.1 DURABILITY:100 CYCLES NIN.  
3.2 INSERTION AND EXTRACTION FORCE:40N MAX. & 11.5N MAX.
- ENVIRONMENTAL:**  
4.1 CONTACT RESISTANCE:20 MILLIOHMS MAX INITIAL.  
4.2 DIELECTRIC WITHSTANDING VOLTAGE: 300V AC/MIN.  
4.3 CURRENT RATING: 0.5 Amps Max.  
4.4 OPERATION: -40°C TO +95°C  
4.5 STORAGE: -55°C TO +105°C  
4.6 REFLOW SOLDERING TEMPERATURE: 255~265° MAXIMUM  
FOR 5~10 SECONDS.  
4.9 ROHS COMPLIANT
- PACKAGING: TAPE AND REEL**



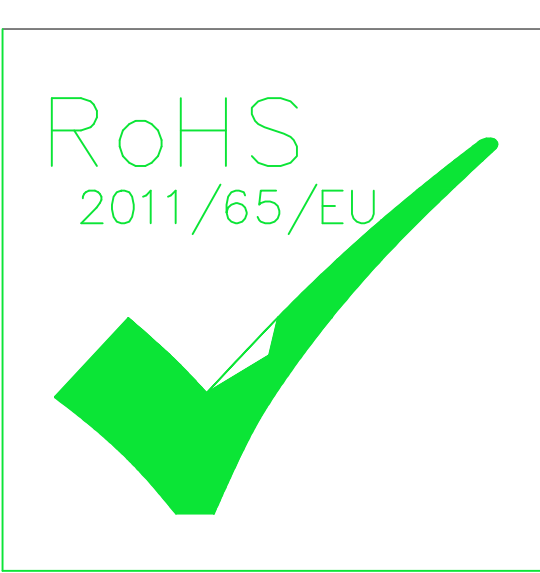
TITLE			LINK-PP INT'L TECHNOLOGY CO., LIMITED				
SFP+ 1X1 CONNECTOR			PART NO. LP11B000001				
PART NO.			GENNERAL TOLERANCE			UNIT:MM	SIZE:A4
APPROVE	CHECK	DRAW	◦ X±0.20	◦ X±1°	SCALE:1:1	SHEET:1/4	REV:B
LEO	JAMES	JAMES	◦ XX±0.15	◦ XX±5°			
			◦ XXX±0.10				



TITLE			LINK-PP INT'L TECHNOLOGY CO., LIMITED		
SFP+ 1X1 CONNECTOR					
PART NO.			GENNERAL TOLERANCE		UNIT:MM
LP11B000001					SIZE:A4
APPROVE	CHECK	DRAW	SCALE:1:1	SHEET:2/4	REV:B
LEO	JAMES	JAMES			

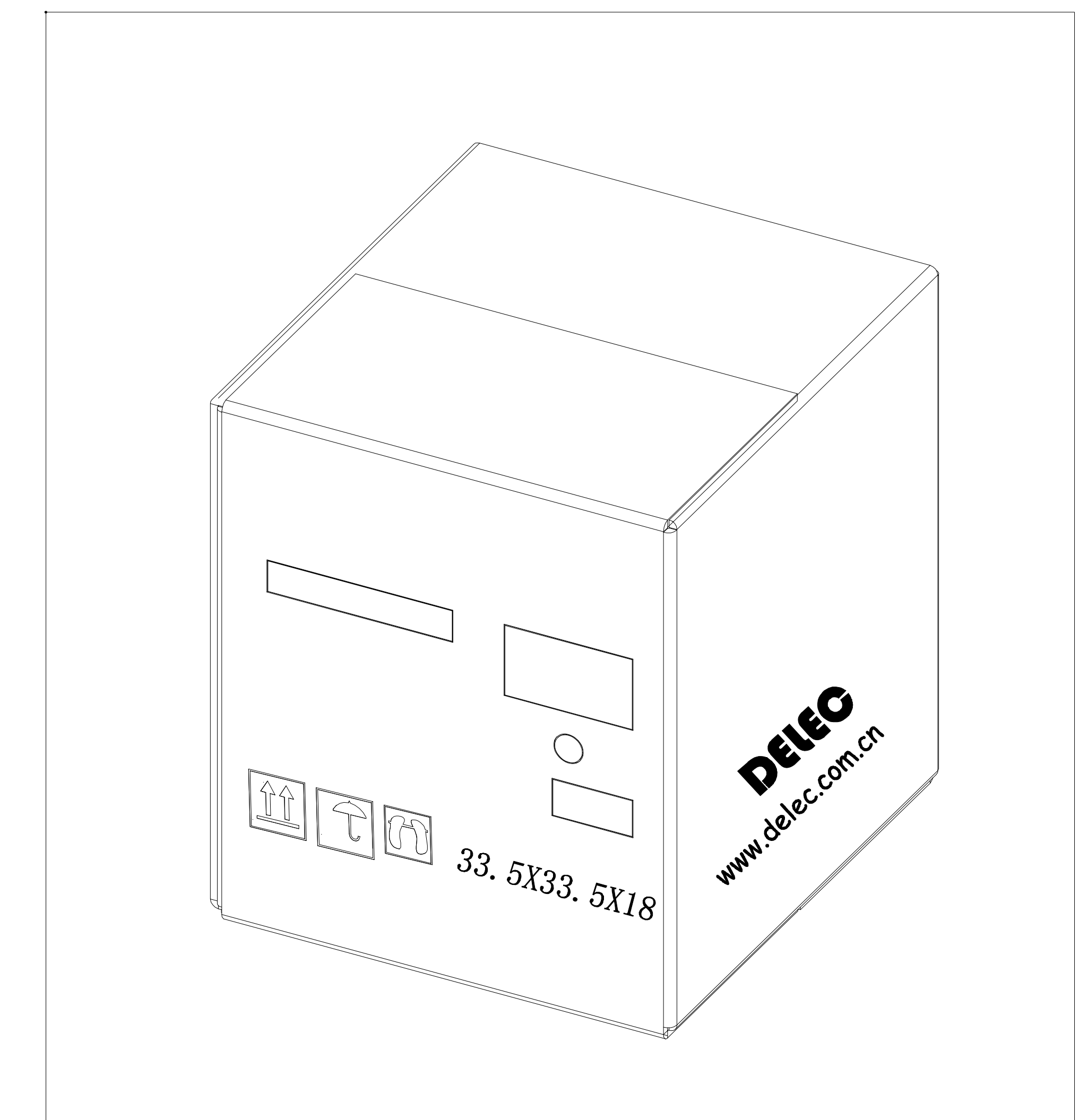
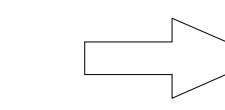
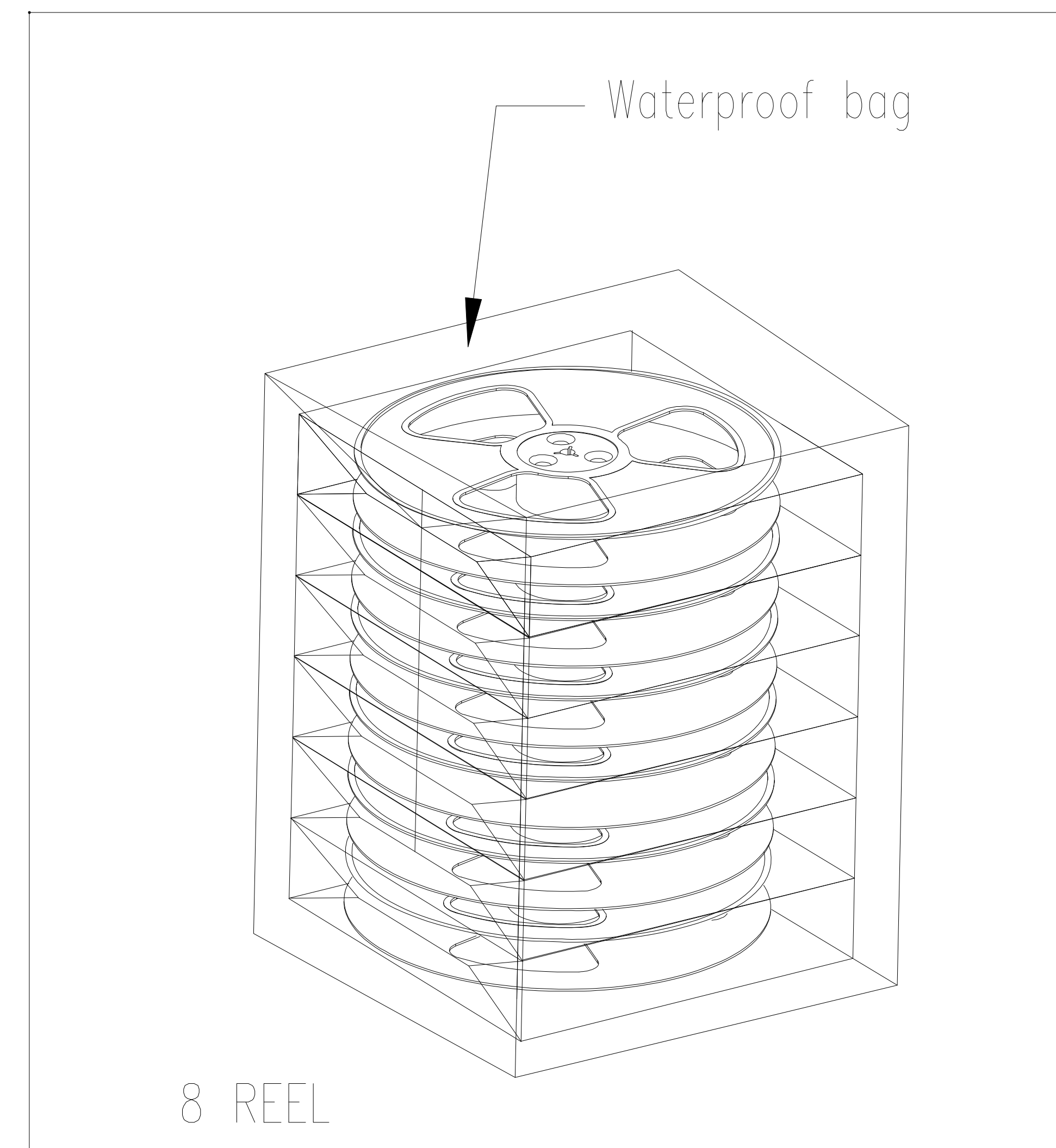
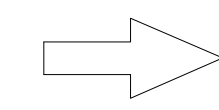
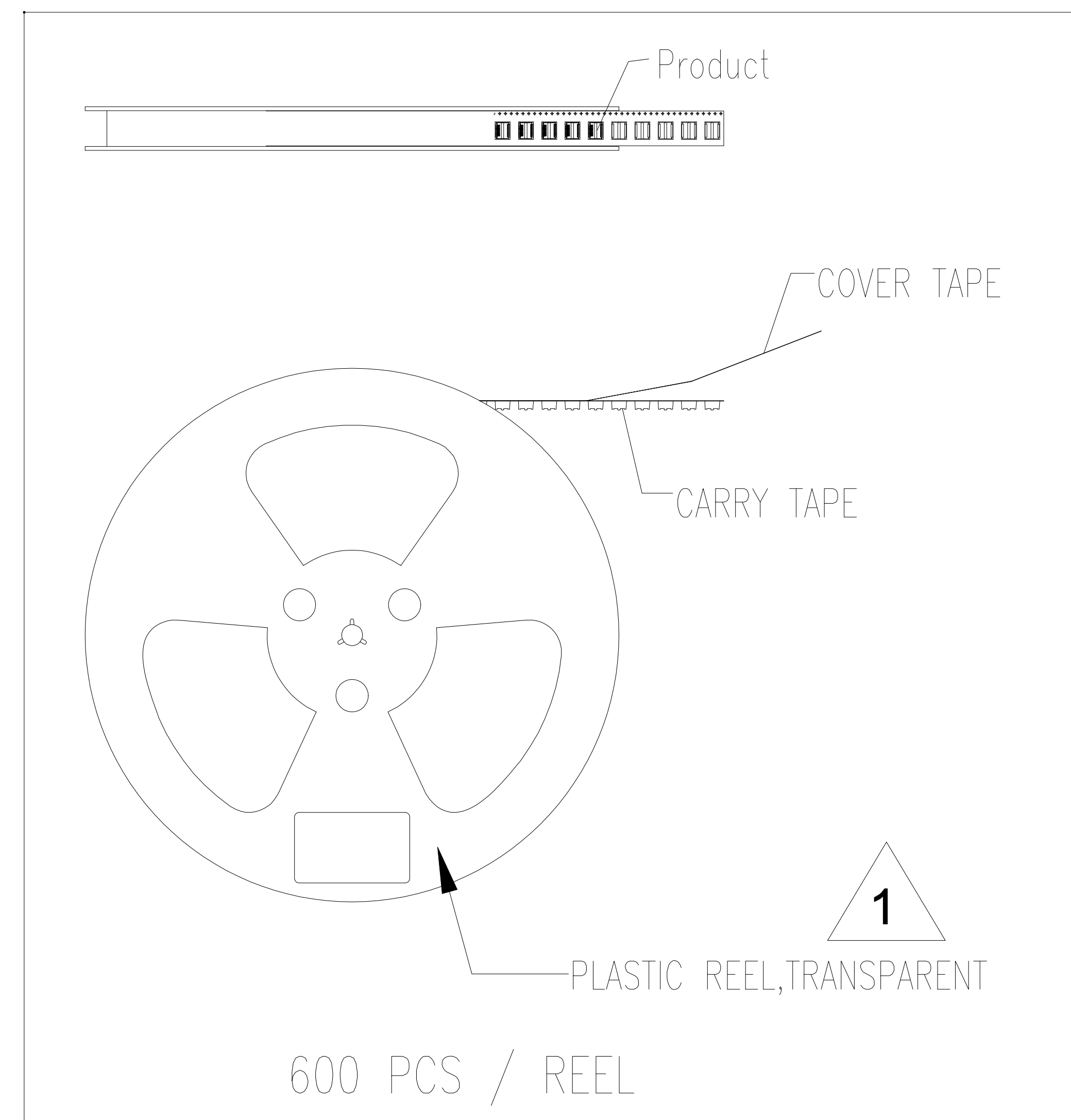


RECOMMENDED LAYOUT DETAIL MATING TRANSCEIVER PCB



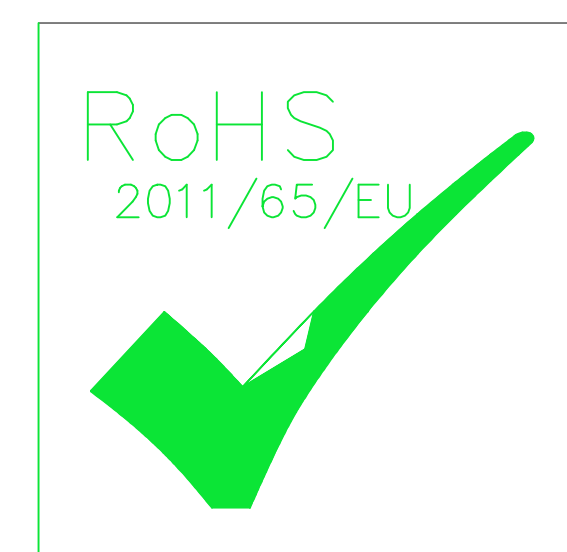
TITLE			LINK-PP INT'L TECHNOLOGY CO., LIMITED		
SFP+ 1X1 CONNECTOR			LINK-PP INT'L TECHNOLOGY CO., LIMITED		
PART NO.			GENNERAL TOLERANCE		UNIT:MM
LP11B000001			. X±0.20 . XX±0.15 . XXX±0.10	. X±1° . XX±5°	SIZE:A4
APPROVE	CHECK	DRAW	SCALE:1:1		SHEET:3/4
LEO	JAMES	JAMES			REV:B

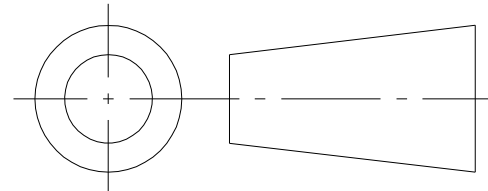
# PACKAGE INFORMATION AND LABEL



PACKING QUANTITY : 600 PCS FINISHED GOODS PER REEL.

8 REEL (4800 PCS FINISHED GOODS) PER CARTON BOX.



TITLE			LINK-PP INT'L TECHNOLOGY CO., LIMITED		
SFP+ 1X1 CONNECTOR					
PART NO.			GENNERAL TOLERANCE		UNIT:MM
LP11B000001					SIZE:A4
APPROVE	CHECK	DRAW	° X±0.20	° X±1°	SCALE:1:1
LEO	JAMES	JAMES	° XX±0.15	° XX±5°	
			° XXX±0.10		
					SHEET:4/4
					REV:B