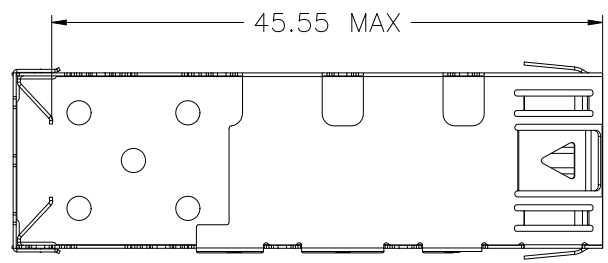
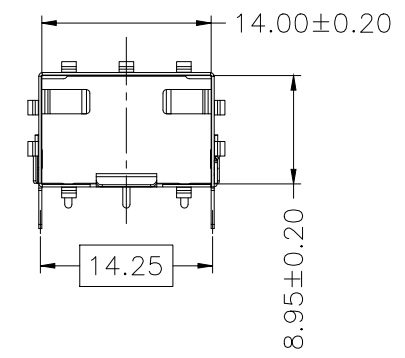
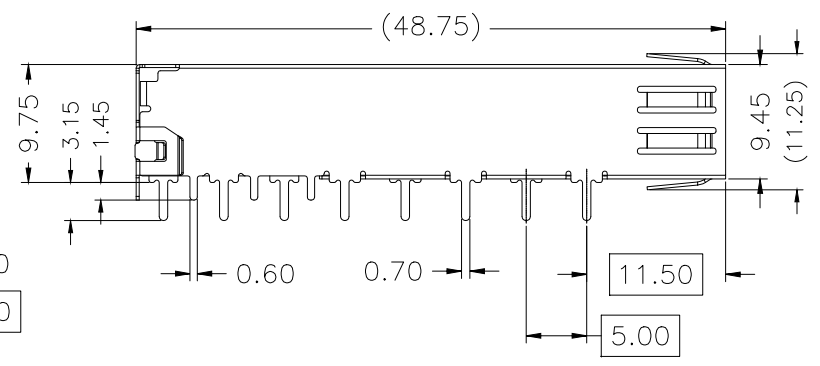
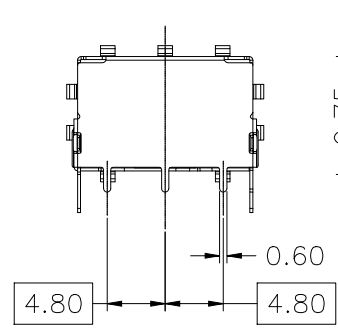
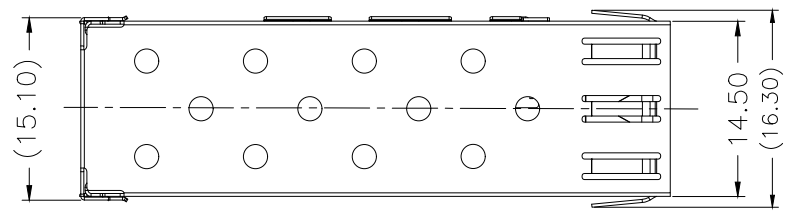


REV	DESCRIPTION OF CHANGE	REVIEWED BY	ISSUE DATE
A	FIRST ISSUE	James	2021-08-01

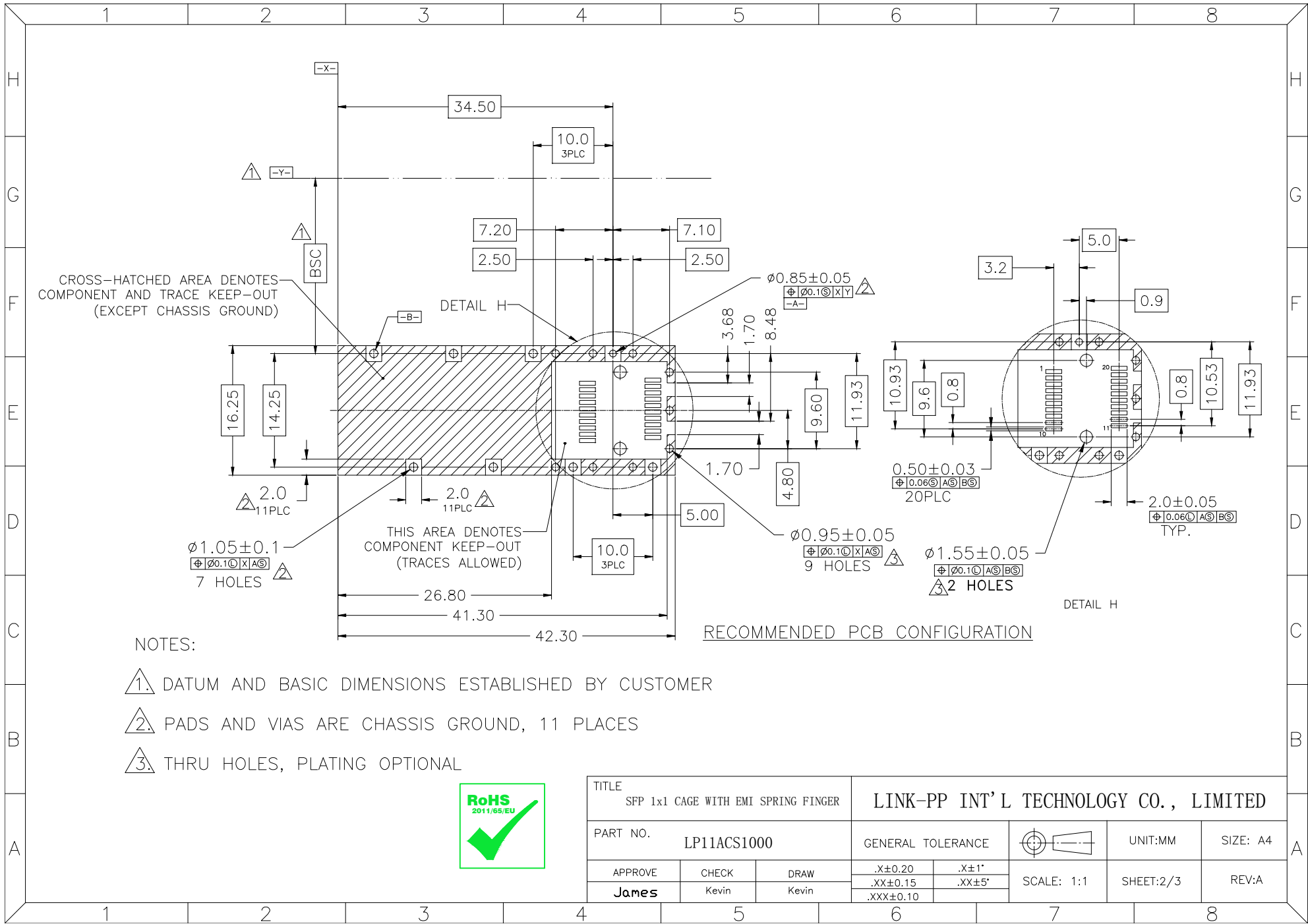


NOTES:

- 1.MATERIAL: COPPER ALLOY, NI-PLATED
- 2.PACKAGING: TRAY PACKAGING
- 3.TEMPERATURE RANGE: -55°C TO +85°C



TITLE SFP 1x1 CAGE WITH EMI SPRING FINGER			LINK-PP INT'L TECHNOLOGY CO., LIMITED				
PART NO. LP11ACS1000			GENERAL TOLERANCE			UNIT:MM	SIZE: A4
APPROVE	CHECK	DRAW	.X±0.20	.X±1°	SCALE: 1:1	SHEET:1/3	REV:A
James	Kevin	Kevin	.XX±0.15	.XX±5°			
			.XXX±0.10				



CROSS-HATCHED AREA DENOTES COMPONENT AND TRACE KEEP-OUT (EXCEPT CHASSIS GROUND)

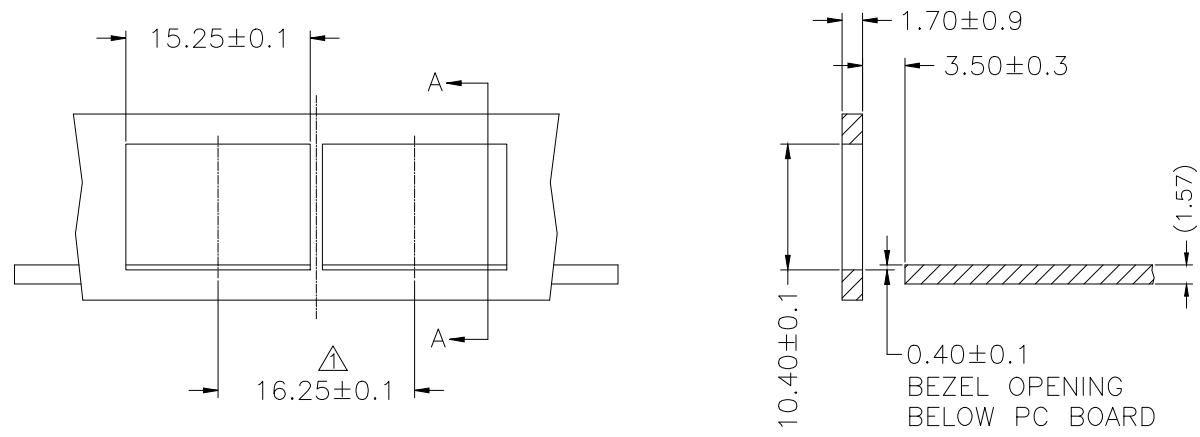
THIS AREA DENOTES COMPONENT KEEP-OUT (TRACES ALLOWED)

NOTES:

- ① DATUM AND BASIC DIMENSIONS ESTABLISHED BY CUSTOMER
- ② PADS AND VIAS ARE CHASSIS GROUND, 11 PLACES
- ③ THRU HOLES, PLATING OPTIONAL



TITLE SFP 1x1 CAGE WITH EMI SPRING FINGER			LINK-PP INT'L TECHNOLOGY CO., LIMITED		
PART NO. LP11ACS1000			GENERAL TOLERANCE		UNIT:MM
APPROVE	CHECK	DRAW	.X±0.20	.X±1°	SCALE: 1:1
James	Kevin	Kevin	.XX±0.15	.XX±5°	SHEET:2/3
			.XXX±0.10		REV:A



SECTION A-A

RECOMMENDED BEZEL DESIGN

NOTES:
 ▲ MINIMUM PITCH ILLUSTRATED, ENGLISH DIMENSIONS ARE FOR REFERENCE ONLY



TITLE			LINK-PP INT'L TECHNOLOGY CO., LIMITED			
SFP 1x1 CAGE WITH EMI SPRING FINGER						
PART NO.		GENERAL TOLERANCE		UNIT:MM	SIZE: A4	
LP11ACS1000						
APPROVE	CHECK	DRAW	SCALE: 1:1		SHEET:3/3	
James	Kevin	Kevin			REV:A	
		.X±0.20		.X±1°		
		.XX±0.15		.XX±5°		
		.XXX±0.10				