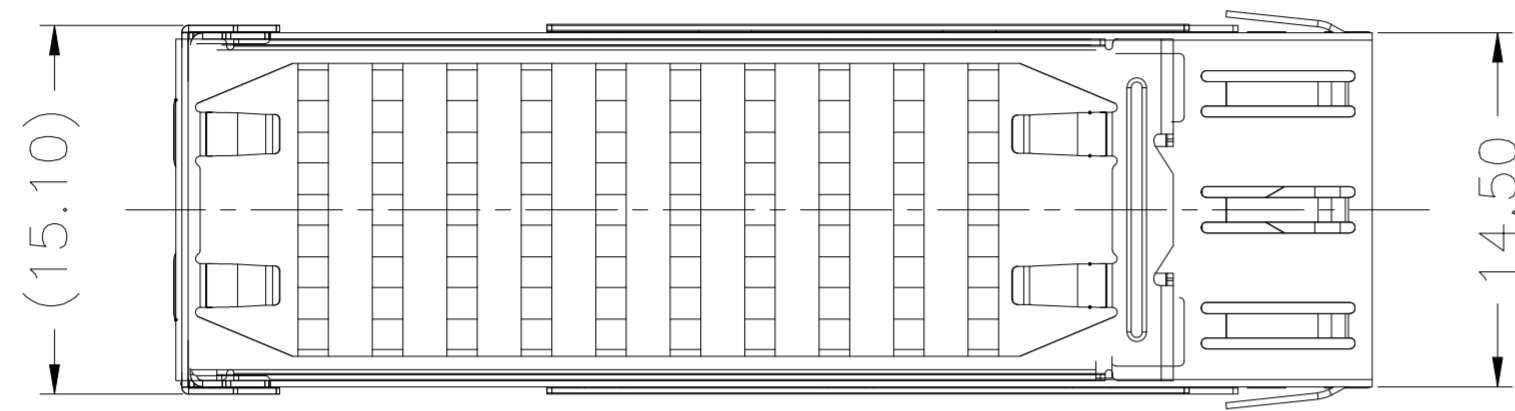


1	2	3	4	5	6	7	8
REV		DESCRIPTION OF CHANGE		REVIEWED BY		ISSUE DATE	
A		FIRST ISSUE		LEO		2021-08-02	



NOTES:

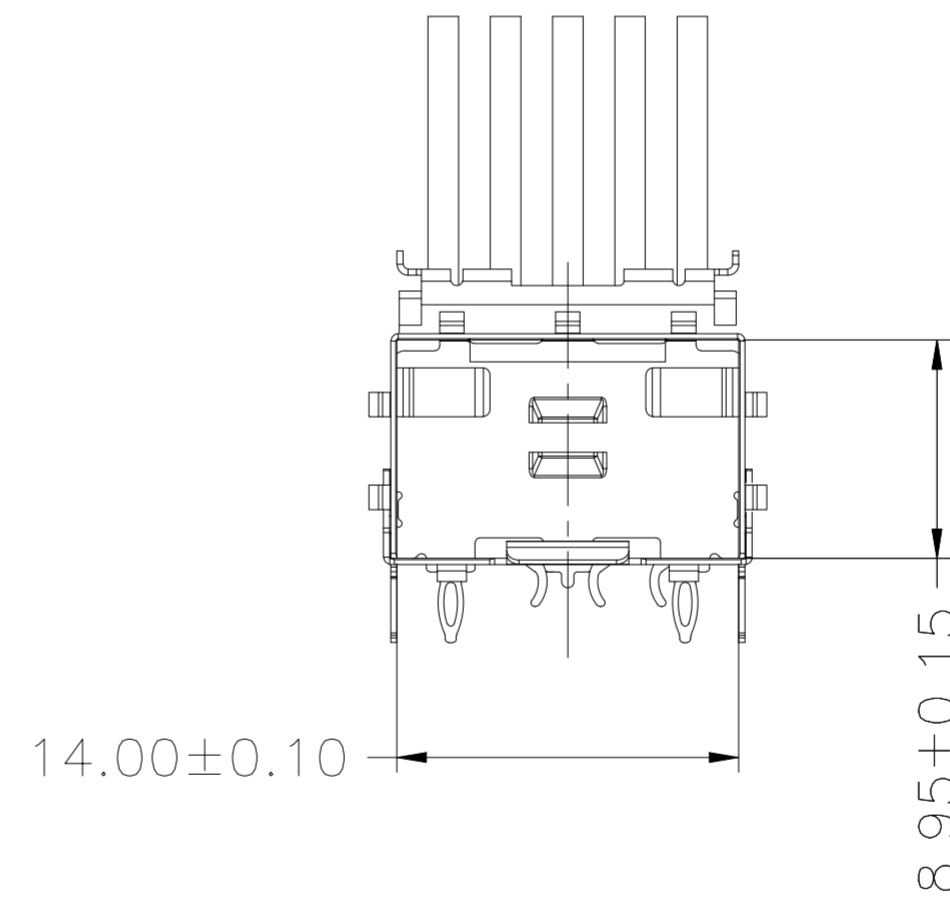
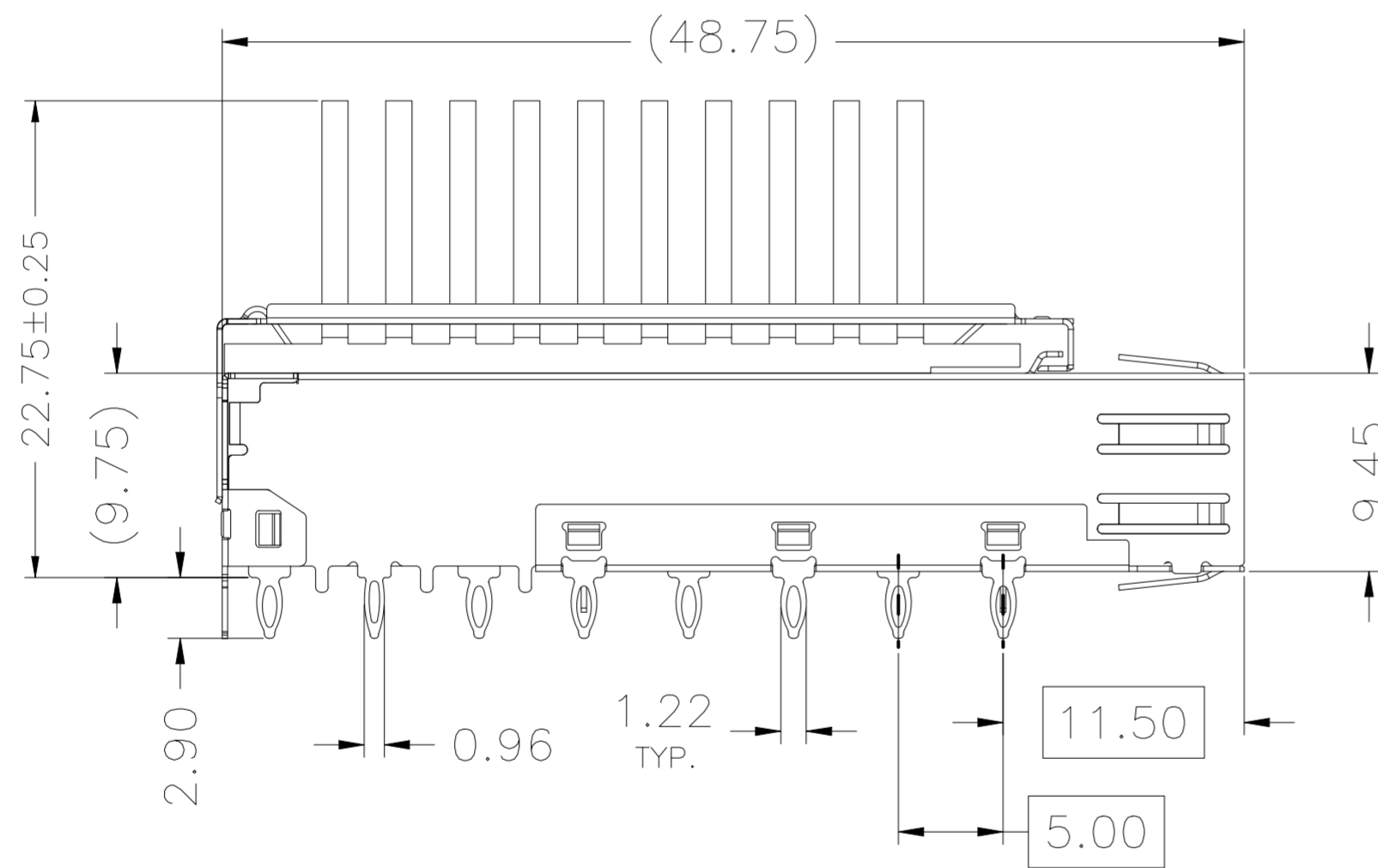
1.MATERIAL:

CAGE: COPPER ALLOY, THICKNESS 0.25mm
 HEAT SINK : ALUMINUM(SURFACE TREATMENT:
 BLACK OXIDE)

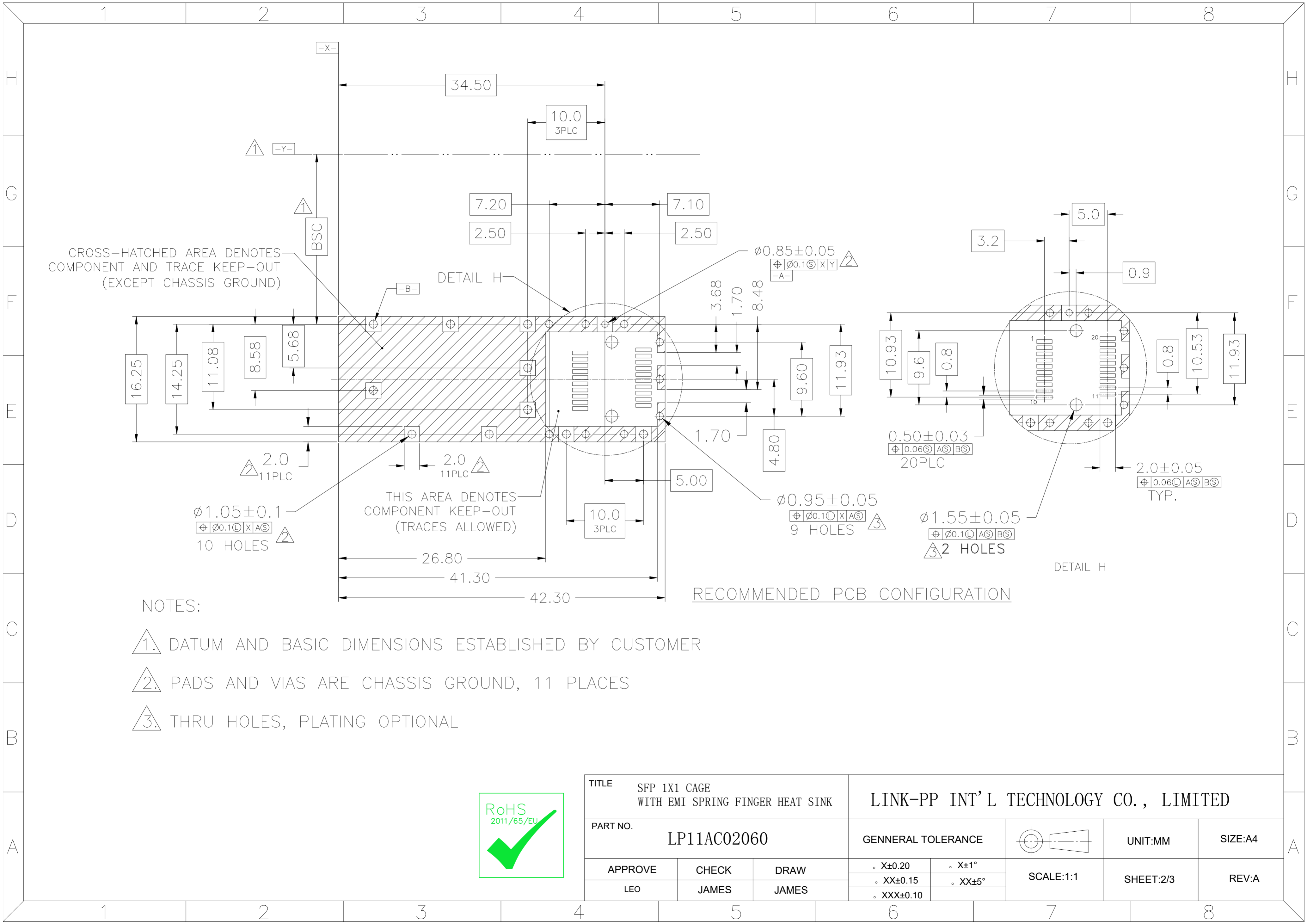
CLIP: STAINLESS STEEL

2.PACKAGING: TRAY PACKAGING

3.TEMPERATURE RANGE: -55°C TO +85°C



TITLE SFP 1X1 CAGE WITH EMI SPRING FINGER HEAT SINK			LINK-PP INT'L TECHNOLOGY CO., LIMITED				
PART NO. LP11AC02060			GENNERAL TOLERANCE			UNIT:MM	SIZE:A4
APPROVE	CHECK	DRAW	° X±0.20	° X±1°	SCALE:1:1	SHEET:1/3	REV:A
LEO	JAMES	JAMES	° XX±0.15	° XX±5°			
			° XXX±0.10				



CROSS-HATCHED AREA DENOTES COMPONENT AND TRACE KEEP-OUT (EXCEPT CHASSIS GROUND)

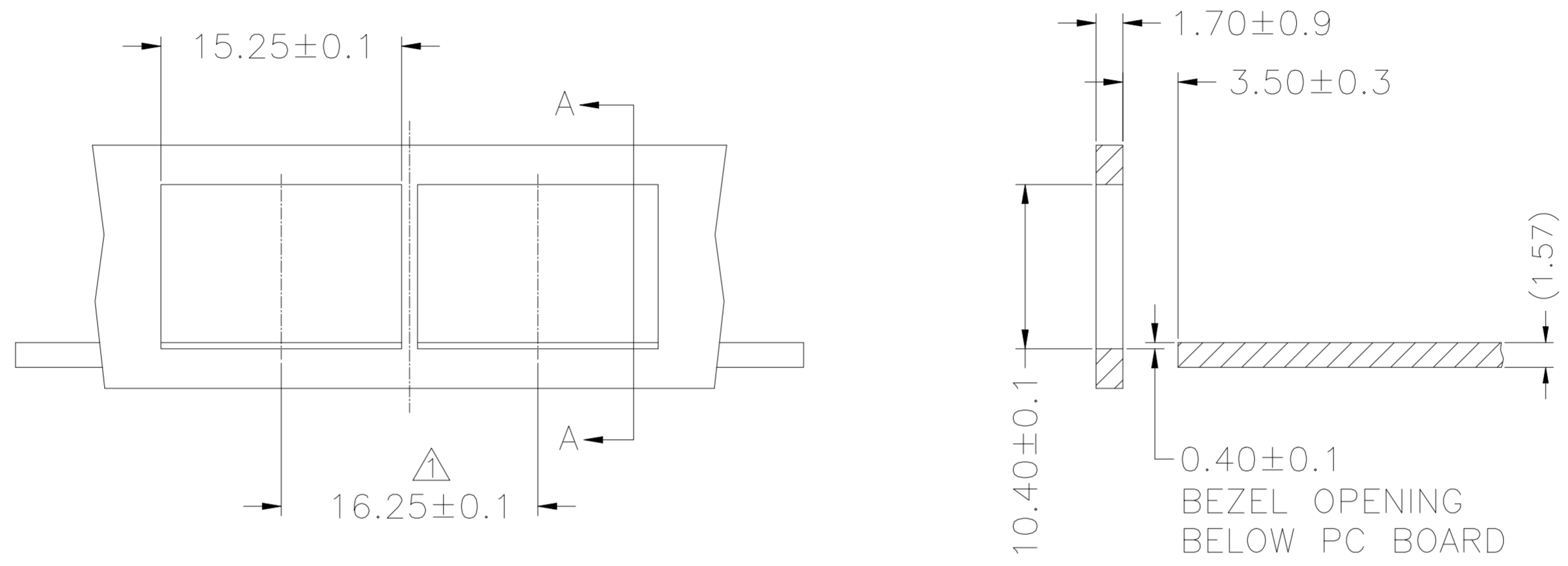
THIS AREA DENOTES COMPONENT KEEP-OUT (TRACES ALLOWED)

NOTES:

- 1. DATUM AND BASIC DIMENSIONS ESTABLISHED BY CUSTOMER
- 2. PADS AND VIAS ARE CHASSIS GROUND, 11 PLACES
- 3. THRU HOLES, PLATING OPTIONAL



TITLE SFP 1X1 CAGE WITH EMI SPRING FINGER HEAT SINK			LINK-PP INT'L TECHNOLOGY CO., LIMITED		
PART NO. LP11AC02060			GENNERAL TOLERANCE	UNIT:MM	SIZE:A4
APPROVE	CHECK	DRAW	 SCALE:1:1	SHEET:2/3	REV:A
LEO	JAMES	JAMES			



SECTION A-A

RECOMMENDED BEZEL DESIGN

NOTES:
 ▲ MINIMUM PITCH ILLUSTRATED, ENGLISH DIMENSIONS ARE FOR REFERENCE ONLY



TITLE SFP 1X1 CAGE WITH EMI SPRING FINGER HEAT SINK			LINK-PP INT'L TECHNOLOGY CO., LIMITED		
PART NO. LP11AC02060			GENNERAL TOLERANCE		UNIT:MM
APPROVE	CHECK	DRAW	° X±0.20	° X±1°	SCALE:1:1
LEO	JAMES	JAMES	° XX±0.15	° XX±5°	SHEET:3/3
			° XXX±0.10		REV:A