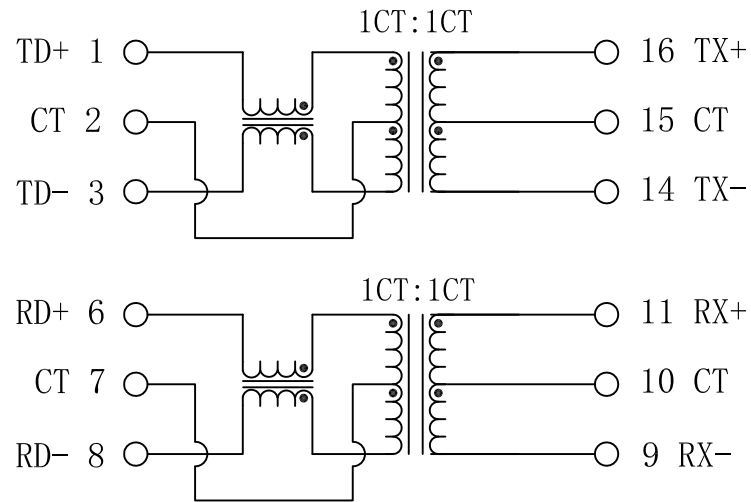


Schematic:

REV.	ECN NO.	DESCRIPTION	DATE	APPD
A	REL		2009/07/27	



Electrical Specification @25°C

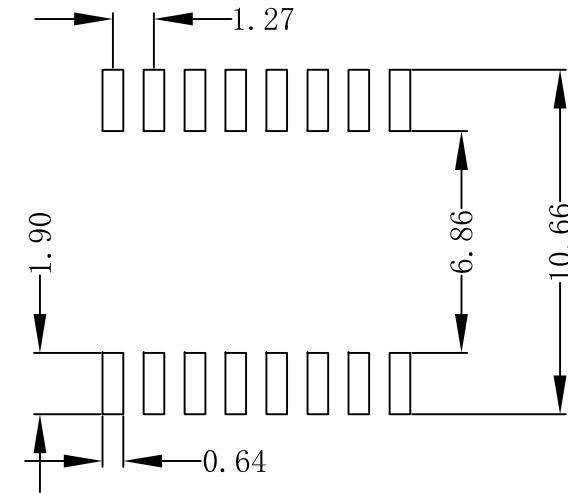
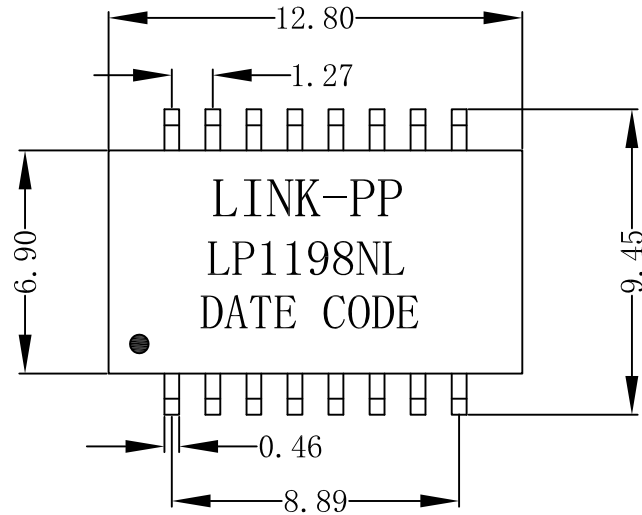
- 0CL: 350uH Min
@100KHz, 0.2V, With 8mA DC BIAS
- Turns Ratio ($\pm 5\%$):
TX=1CT:1CT RX=1CT:1CT
- Insertion Loss:
0.3-100MHz: -1.1dB Max
- Return Loss (dB Min):
0.3-30MHz: -18 40MHz: -16
50MHz: -14.5 60-80MHz: -12
- Crosstalk (dB Min):
0.3-60MHz: -42 60-100MHz: -35
- Common Mode Rejection (dB Min):
0.3-30MHz: -40 60MHz: -35
80-100MHz: -30
- Isolation Voltage: 1500Vrms
- Operating Temperature: -40°C ~ +85°C.



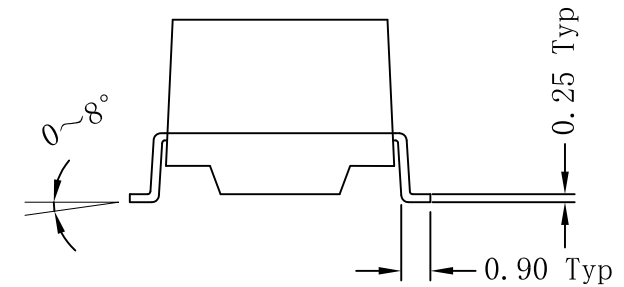
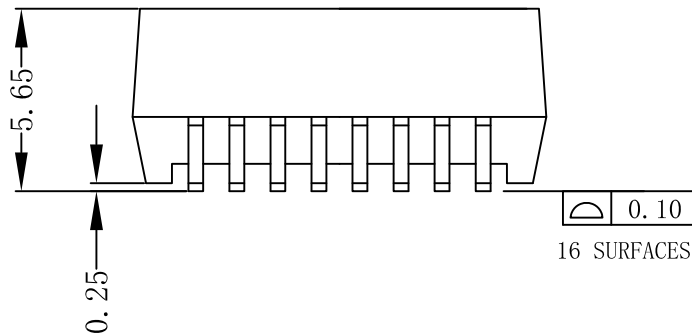
X:X	APPD:	LINK-PP INT'L TECHNOLOGY CO., LIMITED		
X:XX	± 0.25	CHKD:	TITLE: 10/100Base-T Single Port Transformer Modules	
X:XXX		DR: TOM	PART NO.: LP1198NL	
ANGLES	$\pm 1^\circ$	UNIT: mm		
	SCALE: 2/1	SHEET: 1/2	REV: A	DWG NO.: LP09072707

Mechanical:

REV.	ECN NO.	DESCRIPTION	DATE	APPD
A	REL		2009/07/27	



SUGGESTED PAD LAYOUT



Dimensions: mm

Unless otherwise specified, all tolerances are ± 0.25

NOTES:

1. Designed to support application, such as SOHO (ADSL modems), LAN-on-Motherboard (LOM), hub and Switches.
2. Meets IEEE 802.3 specification.
3. Maximum reflow temperature is 250°C, 5 Sec.
4. UL certification: file number E484635.



X:X	APPD:	LINK-PP INT'L TECHNOLOGY CO., LIMITED		
X:XX ± 0.25	CHKD:	TITLE: 10/100Base-T Single Port Transformer Modules		
X:XXX	DR: TOM	PART NO.: LP1198NL		
ANGLES $\pm 1^\circ$	UNIT: mm			
	SCALE: 2/1	SHEET: 2/2	REV: A	DWG NO.: LP09072707